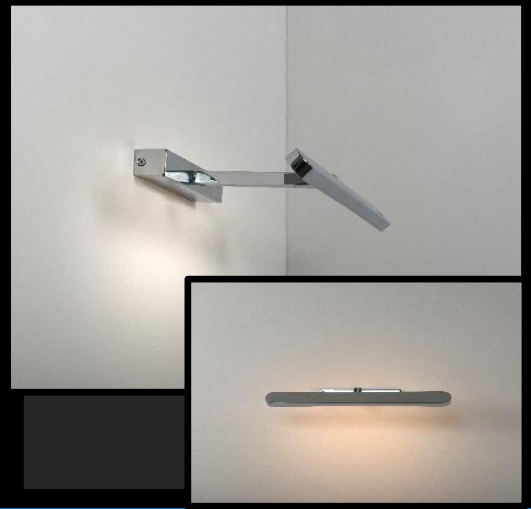




Scan II LED CCT Picture Light

Residential Lighting



Data Sheet

Product Information

The Scan II LED CCT Picture light comes with a 400mm wide and 600mm wide LED Profile which helps illuminate artwork evenly and effectively. With the CRI rating of Ra80 and 3 selectable colour temperatures these fittings are ideal for residential and architectural applications.

Comes with 2 year warranty.

Product Features

- 2 year warranty
- Class I
- Colour switchable between 3000/4000/6000K
- CRI >82
- 2 Profiles to choose from: a 400mm profile and 600mm wide Profile
- L70/25,000Hr



Product Specification

Product Code	Product Description	Wattage (W)	CCT (K)	Lumens	CRI (Ra)	Energy Efficiency Class	Protection Class
KSR6267	Scan 8w CCT LED 400mm Picture Light Chrome	8w	3000	465	82	A+	I
			4000	540	87		
			6000	485	84		
KSR6268	Scan 8w CCT LED 600mm Picture Light Chrome	8w	3000	495	82	A+	I
			4000	555	87		
			6000	500	84		

Nominal voltage	220~240VAC
Operating frequency	50/60Hz
Circuit Wattage	7.1w (based on 4000k output)
Circuit Current	0.07A
Driver Current Rating	250mA
PFC	0.44
In Rush Current	3.8A Max Peak (0~40ms)
Ambient temperature range	-20°c to +40°c
IP rating	20

Construction

Body: Steel

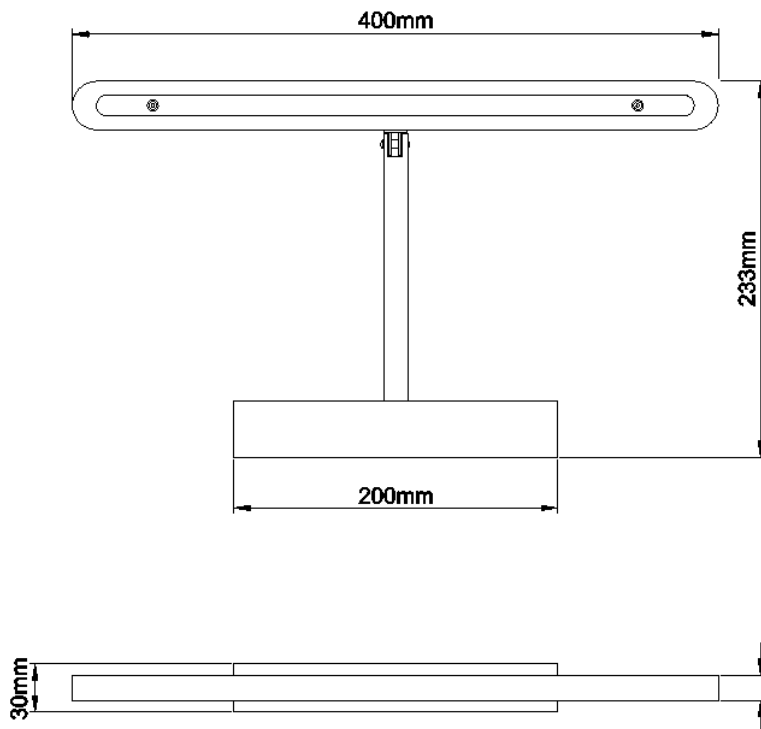
Standards

BSEN60598-1:2015 Luminaires – Part 1: General requirements and tests

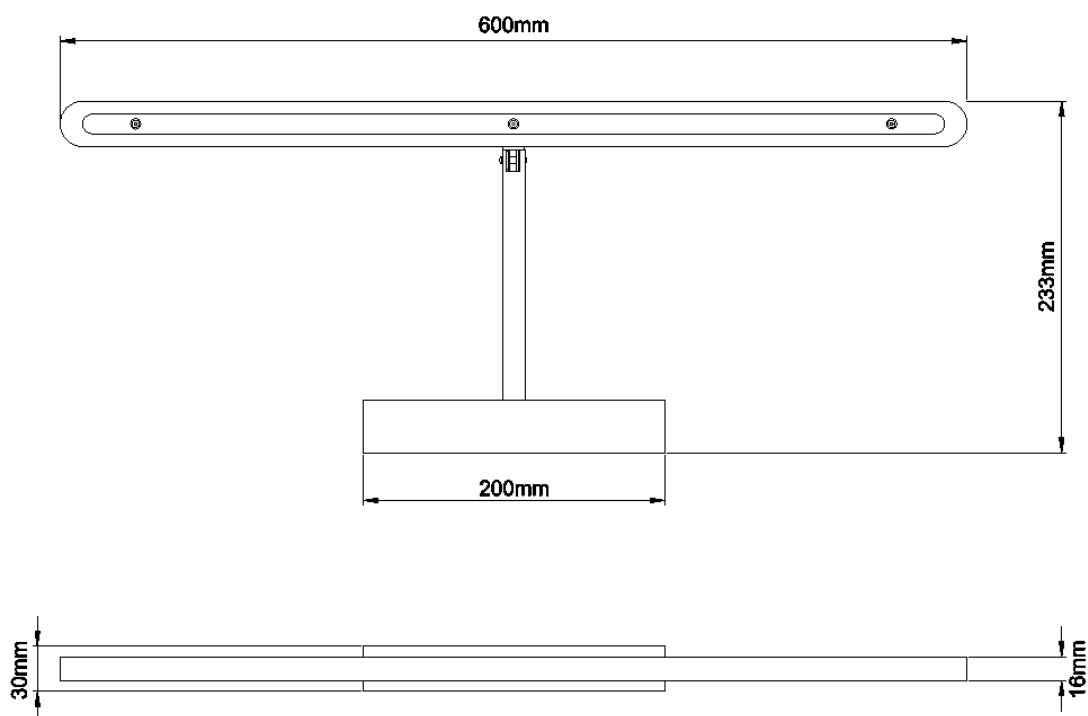
In Conformity with

LVD Low voltage directive 2014/35/EU
EMC Electromagnetic compatibility directive 2014/30/EU
ERP Energy related products directive 2009/125/EC
RoHS Restriction of hazardous substances 2011/65/EU

Product Dimensions



KSR6267



KSR6268

KSR Lighting is constantly developing and improving its products. For this reason, all product descriptions in this data sheet are intended as a general guide, and KSR may change specifications from time to time in the interest of product development, without prior notification or public announcement. All descriptions in this data sheet present only general particulars of the goods to which they refer and shall not form part of any contract. Data in this guide has been obtained in controlled experimental conditions. However, KSR Lighting cannot accept any liability arising from the reliance on such data to the extent permitted.