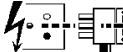


## Razorlites and Shavolites

Installation Instructions for: **LL5180, LL5181, LL5182, LL5183, LL5184, LL5185, LL5744, LL5980, LL6498, LL6499, LL6516, 62619, 64619.**

### SAFETY

Follow the appropriate national wiring regulations. If in any doubt contact a qualified Electrician.

 Disconnect from Mains supply before installation, Maintenance or replacing the lamp.

Lamps reach maximum temperatures rapidly. Take care when adjusting, relamping or cleaning.

SLI Lighting accepts no responsibility for modified products or for the affects of cleaning solvents or for the accumulation of dust or dirt.

Do not interconnect Class III products with Class I or Class II.

Unless otherwise marked, products are IP20 (ordinary). Do not operate in damp or corrosive situations.

All products are suitable for use in ambient temperatures of 25° C.

The products should not be covered with any heat insulating material, air flow around the fitting should not be restricted. Note minimum distances to adjacent surfaces.

Any enclosure which prevents normal heat dissipation may cause reduced performance, overheating or risk of fire. (see Installation Instructions for recommendations).

These products have a transformer giving a shaver socket outlet of 240V (single voltage) or, 240V or 115V (dual voltage), up to a maximum power consumption of 20VA. They are fitted with a solid state overload device, which will render the socket inoperable should the maximum power consumption be exceeded. If this should occur, switch of the mains supply and withdraw the plug from the shaver socket. The device will automatically reset itself after a short time.

The device will automatically reset itself after a short time.

These products are designed to operate **SHAVERS ONLY**.


These products should be connected to the lighting circuit, or fused at a maximum of 5A. If a dimmer is installed it must be specifically rated as suitable for the equipment used.


Follow these instructions carefully to ensure safe and reliable operation.


After completing the installation note the suppliers name, address and purchase date and hand this leaflet to the person responsible for lighting maintenance, for future reference.


Follow these instructions carefully to ensure safe and reliable operation. Retain this leaflet for future reference. In case of any queries contact your supplier.


The following symbols may be found on the product or labels:

 -Class I. This fitting Must be Earthed and Equipotentially bonded.

 -This fitting is suitable for mounting on Normally Flammable surfaces.

 -Indicates the safest minimum distance of lamp from a flammable surface.

 -Class II Double insulated. This fitting must not be Earthed.

 -Class III. Low Voltage (SELV).

Throughout these instructions the following coding may be used:

Line (L) - Brown or Red.

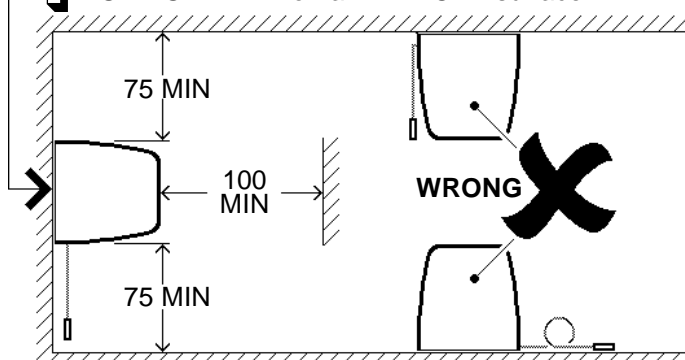
Neutral (N) - Blue or Black.

Earth (⊕) - Green/Yellow or Bare Conductor

All Dimensions are in Millimetres.

All Dimensions are in Millimetres.

**! These products must only be mounted HORIZONTALLY on a VERTICAL surface!**

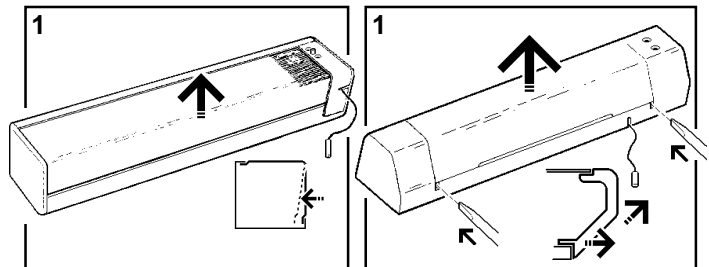


**DO NOT COVER PRODUCT OR USE AS A SHELF!**

**LL5180, LL5181, LL5184, LL5185, LL5744, LL5980.**



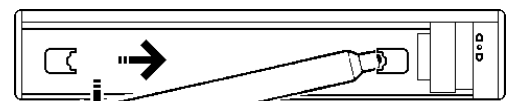
**LL6498, LL6499, LL6516, 62619, 64619**



Remove diffuser as shown

**2**

**LL5180  
LL5181  
LL5744**



60W MAX. STRIPLIGHT 284mm S15s (07597)

**LL6498  
LL6516  
62619**

**LL5184  
LL5185  
LL5980**

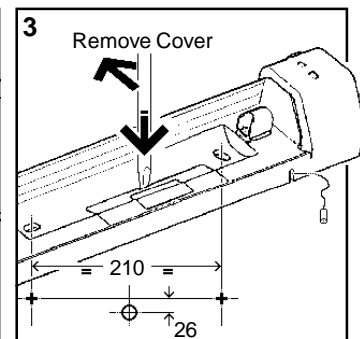
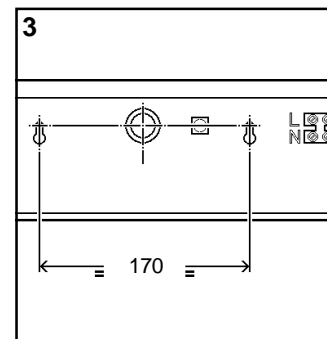


11W MAX. LYNX-S CF-S G23

**LL6499**

Carefully remove lamp

**3**

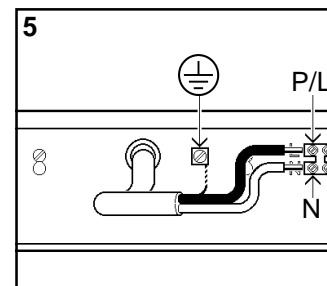


Remove Cover

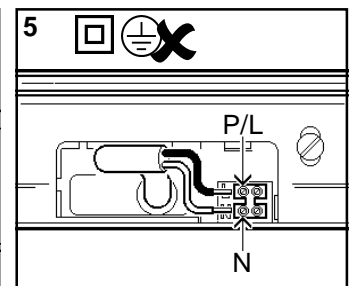
**4**

**⚡ 230/240V MAX. 3 x 1.5mm<sup>2</sup> MIN. L, N and ⊕**

**5**



Connect cables and replace lamp and diffuser.



Connect cables and replace cover, lamp and diffuser.

