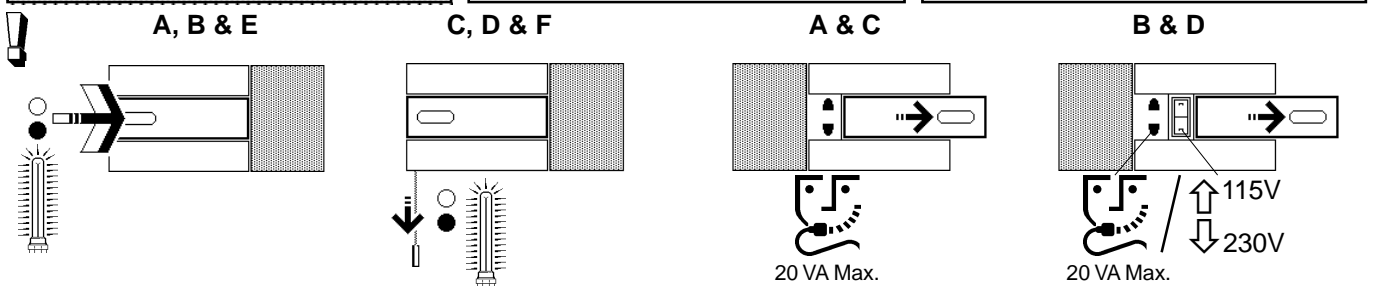
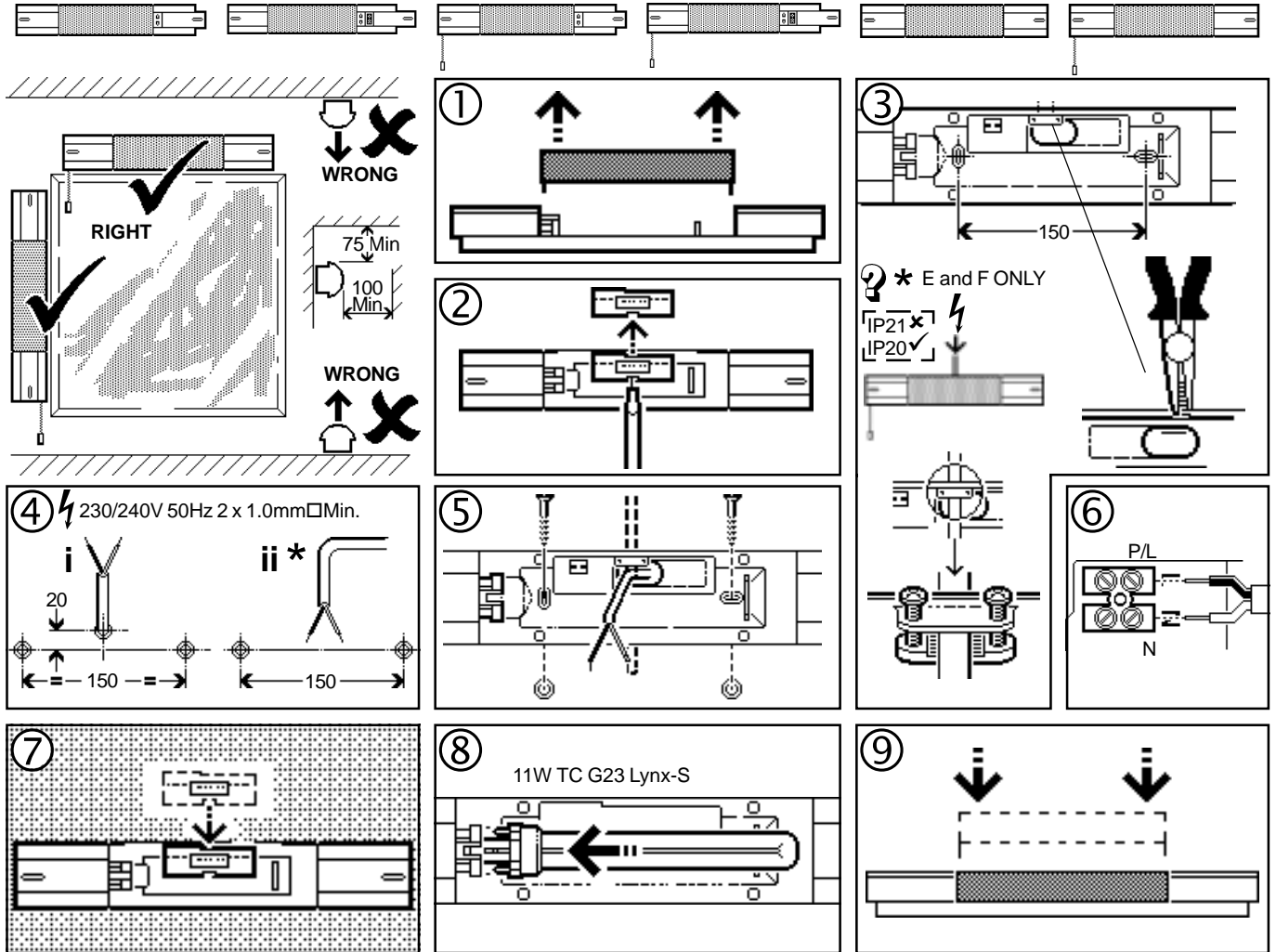
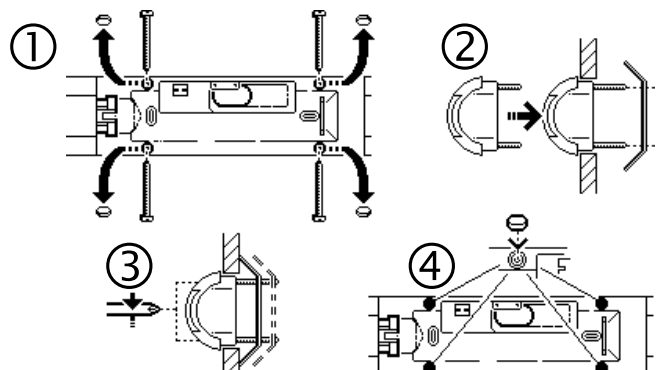
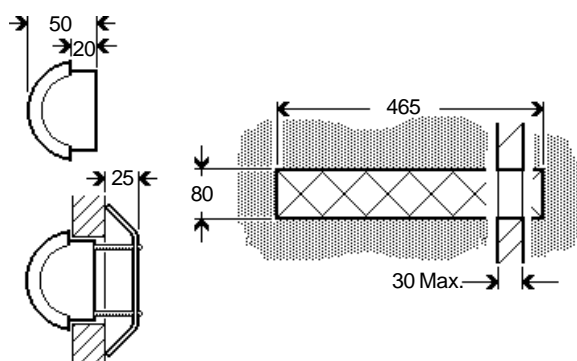


! Please read general notes overleaf, **BEFORE** commencing installation.

A	B	C	D	E	F
LL5704	LL5707	LL5710	LL5713	LL5716	LL5719
LL5705	LL5708	LL5711	LL5714	LL5717	LL5720
LL5706	LL5709	LL5712	LL5715	LL5718	LL5721



LL5722




Installation Instructions


After completing the installation as shown over, Kindly note the suppliers name, address and purchase date and hand this Instruction Sheet to the person responsible for Lighting maintenance.

N.B. As shown over, this product can only be mounted Horizontally or Vertically on a VERTICAL surface.

This is an all insulated Luminaire (Class II) and will not require equipotential bonding.

All or some of the following symbols may be found on the product or the labels:

 - Class II Double Insulated. This product need not be Earthed.

 - Suitable for mounting on normally flammable surfaces.

IP21 - Protection against drops of condensed water.

IP20 - Protection against contact with live parts inside the enclosure by fingers.

N - Neutral

L - Live

This Product is suitable for use in ambient temperatures of up to 25°C.

Colour coding of cables

Throughout this Instruction Sheet the following coding is used:

L - (Line) - Brown or Red.

N -(Neutral) - Blue or Black.

Lamp Changing

Defective lamps should be replaced as soon as possible. Only lamps of correct type and rating should be used. (see this Instruction Sheet or Product Rating Label).

This product and lamp can quickly become hot, ensure that both have cooled adequately before replacing the lamp.

Refer to the Installation section for instructions on how to refit lamp.

Dispose of the defective lamp in accordance with the lamp manufacturer's recommendations. It is the users responsibility to ensure that the lamp disposal is carried out also in accordance with local regulations. If in any doubt consult the responsible Public Authority.

Cleaning

Ensure that the mains supply is switched **OFF** and that the product and lamp are cool. Use only a soft dry cloth. **DO NOT USE** any abrasives or solvents.

General Notes

SAFETY

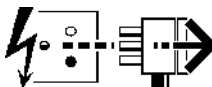
Follow these instructions carefully to ensure safe and reliable operation.

Retain this Instruction Sheet for future reference.

In case of queries contact your supplier.

Follow the appropriate national wiring regulations.

If in any doubt consult a qualified electrician.



Switch off Mains supply before installation, maintenance or replacing the lamp.

This product must not be modified. Any modification will negate any Safety Mark approvals and may render the product unsafe. The Company accepts no responsibility for modified products. This product must be installed in accordance with these instructions. This product should not be covered with any heat insulating material and air flow around the fitting should not be restricted. Note any minimum recess depths or distance to adjacent surfaces.

To ensure good electrical contact, terminals must be tightened securely and additional solder should NOT be added to flexible cables. Use eye protection when drilling or cutting.

This product has a double wound isolating transformer giving a shaver socket output of 115/230V up to a maximum power consumption of 20VA. This product is fitted with a solid state overload protection device, which will render the socket inoperable should the maximum power consumption be exceeded. If this should occur switch off the mains supply and withdraw shaver plug from the shaver socket. The device will automatically reset itself after a short period of time.(see below N.B.) This product is designed for shavers only.

This product should be connected to a lighting supply circuit or fused at a maximum of 5A.

N.B. The Shaver socket will continuously accommodate a 20W load for 20 minutes prior to a 5 minute recovery period. This cycle may be repeated once before a substantial rest period is necessary.

Linolite

Avis Way Newhaven East Sussex BN90ED

Tel: 0870 241 0802 Fax: 0870 241 0803

Printed in U.K. 09.2000