

# EST4HVAC Wireless Transmitter

For HVAC applications



2a Bellevue Road, Friern Barnet, London N11 3ER  
T. 020 8368 7887 F. 020 8368 3952  
info@luminite.co.uk

## Product Overview

Specially designed for retro control of HVAC systems the EST4HVAC is the ideal wireless solution where mains cabling is difficult or impractical.

With four inputs this product is designed to work with the EasySwitch single circuit (ESR.1) or four circuit (ESR.4) receivers to allow remote switching of up to four electrical circuits within a building or from one building to another.

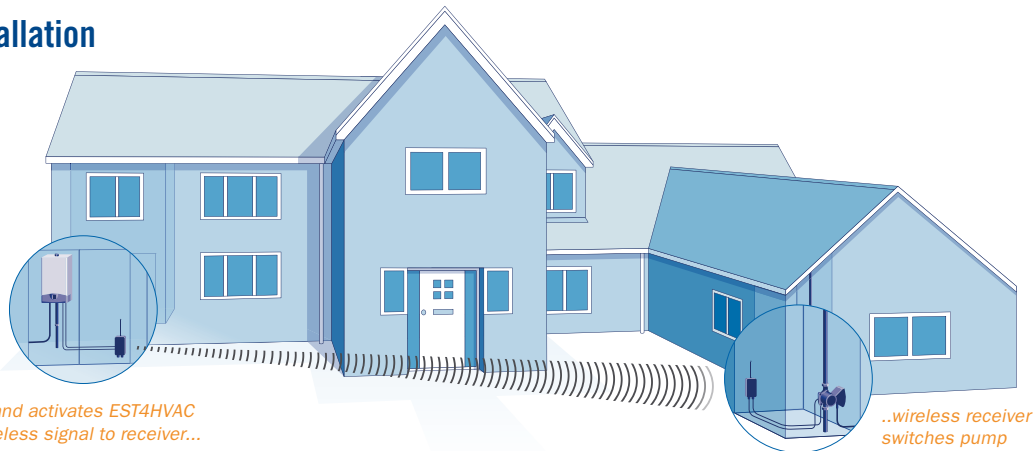
Transmission range is up to 100 metres line of sight, and will work in situations that are not line of sight, such as from one end of a house to the other, however the transmission range will be reduced.

Each time a mains signal is applied or removed from the transmitter it will repeatedly send this command message to the receiver over a period of time to ensure that the message is received.

There is no limit to the number of receivers than can be made to work with the transmitter which means that one command could be sent to and received in two different buildings or places. This provides extreme versatility and cost saving.



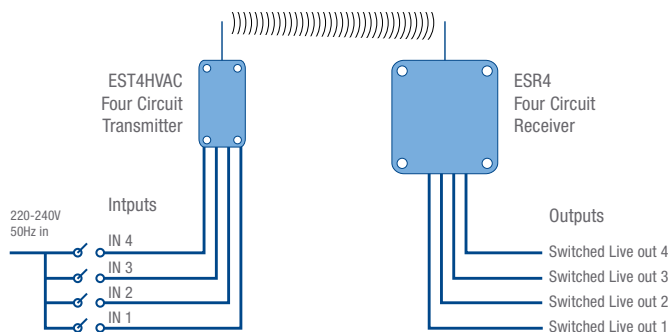
## Example Installation



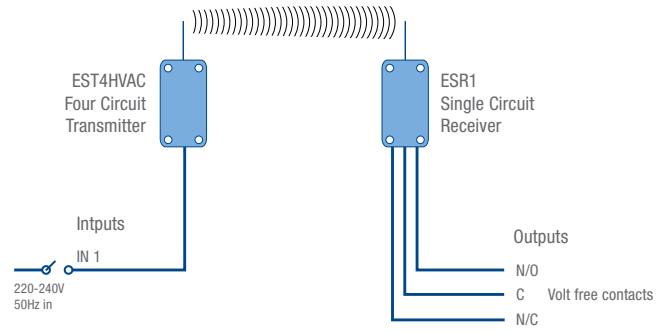
*Boiler switches on and activates EST4HVAC which transmits wireless signal to receiver...*

*..wireless receiver switches pump*

## Four Circuit Control



## Single Circuit Control



### For Use With EST4HVAC



ESR.1 Single Circuit  
Switching Receiver



ESR.4 Four Circuit  
Switching Receiver

For more information see separate datasheets

### Specifications

Supply	220-240V 50Hz
Power consumption	0.1W
Transmission range	100m line of sight
Frequency	433.92Mhz FM
Inputs	4
Input voltage	220-240V 50Hz
Temperature range	-10 to +60°C
Weather rating	IP66
Enclosure	Durable ABS UV stabilised housing.



### Dimensions

