

ESD1, 2, 3

Wireless PIR Detector

- Robust design
- Various detection ranges available
- 100m transmission range to receiver
- Adjustable timer
- IP65 weather rating
- Up to 2-year battery life

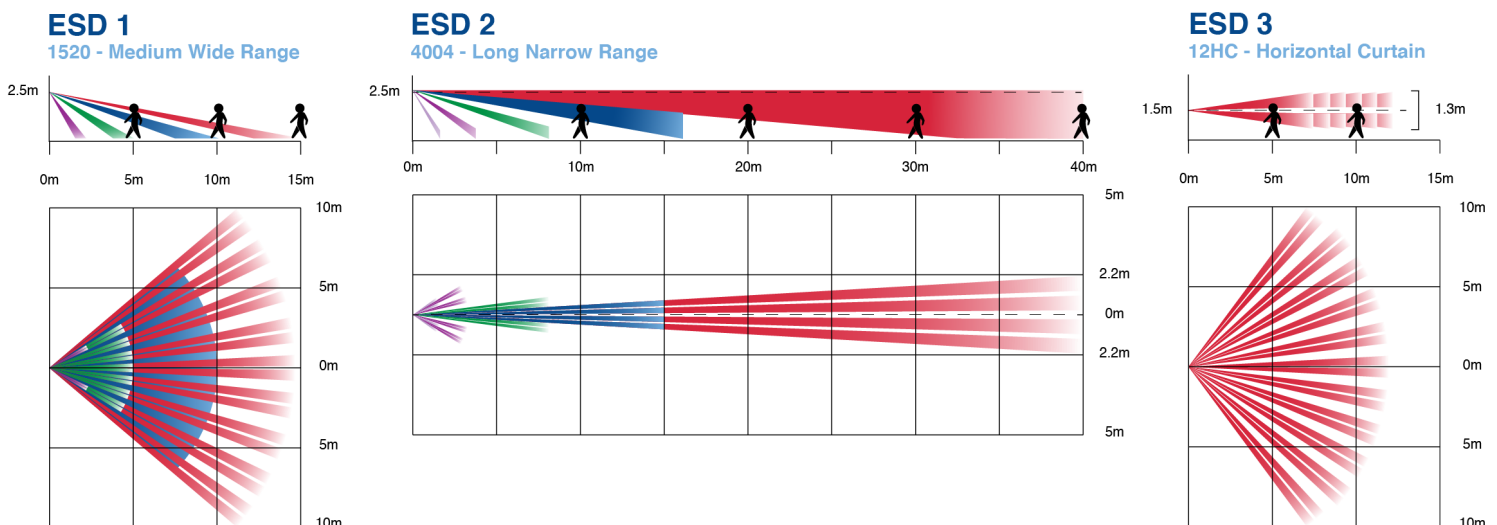
Powered by one PP3 9-volt battery, these PIR detectors are widely used for the remote operating of CCTV systems and lighting. They are fitted with a fresnel lens for optimum light performance.

The PIRs have three detection ranges available: ESD1 is the standard PIR and detects 15m out by 90 degrees, ESD2 is for long range applications and detects 40m out by 1 degree and the ESD3 model is fitted with a 12m horizontal curtain lens. All ESD detectors are supplied with an occluder that masks a portion of the lens to protect against false detections ie. pets.

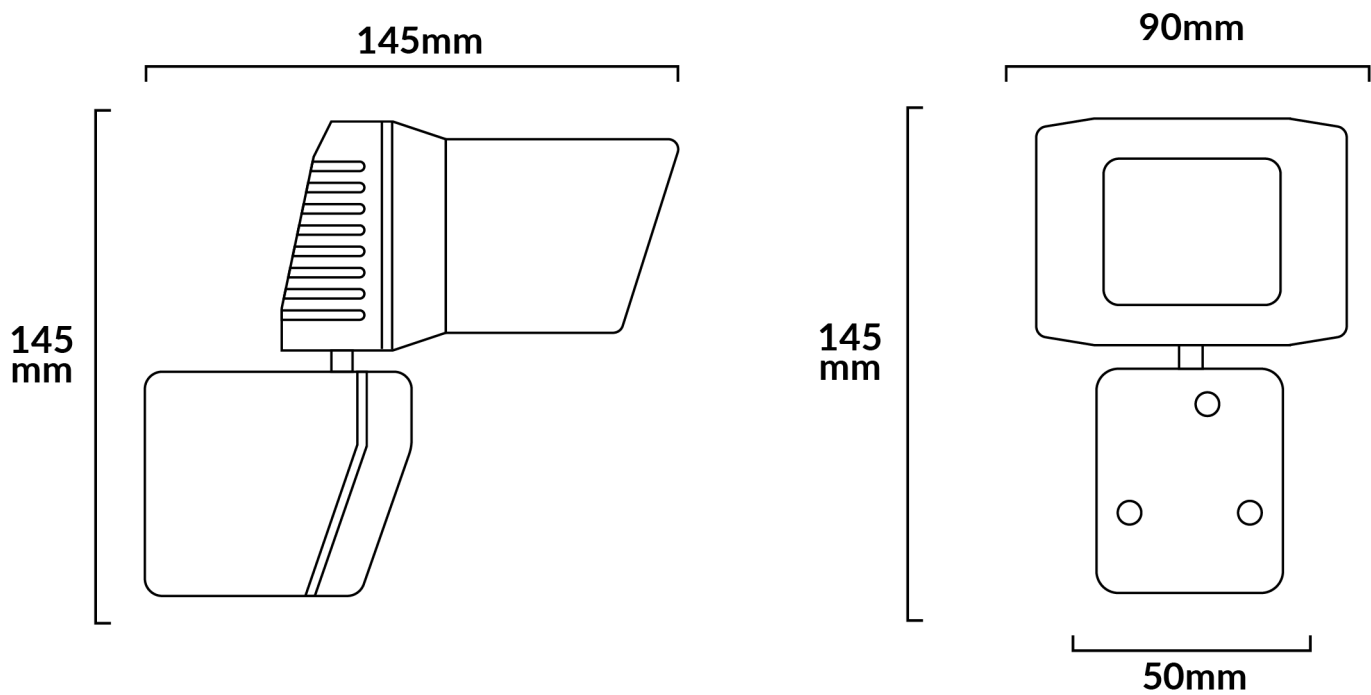
All detectors transmit to any EasySwitch receiver over a range in excess of 100 metres line of sight. Each time a movement is detected the ESD detector transmits a signal to the receiver to operate a camera or lighting. The detector is fitted with a light sensor so it can detect when it is day or night and the timer adjuster controls the length of time lighting stays on – from 5 seconds to 10 minutes. Lighting can be overridden by other EasySwitch transmitters such as a remote key fob (ESF1 / ESF4) or our specially adapted wall switch transmitter (EST1).



Lens Patterns



Dimensions



Technical Specifications

	ESD.1	ESD.2	ESD.3
Battery Type	1 x 9-volt PP3 (not supplied)		
Battery Life	2 years with normal use		
Wireless Transmission	433.92Mhz		
Detection Type	Passive Infrared Dual Element Pyro		
Detection Range	15m x 20m	40m x 4.5m	12m Horizontal Curtain
Temperature Range	-10°C to +60°C		
Weather Rating	IP65		
Enclosure	ABS UV stabilised. Fully adjustable - left, right, up and down		
Weight	350 grams		

