

# PC35A INSTRUCTIONS

For use with DX100 mk2 only.

## FORWARD

The PC35A is a timer module with voltage free change over contacts and is used for low voltage switching applications. e.g. CCTV control, Sounders etc.

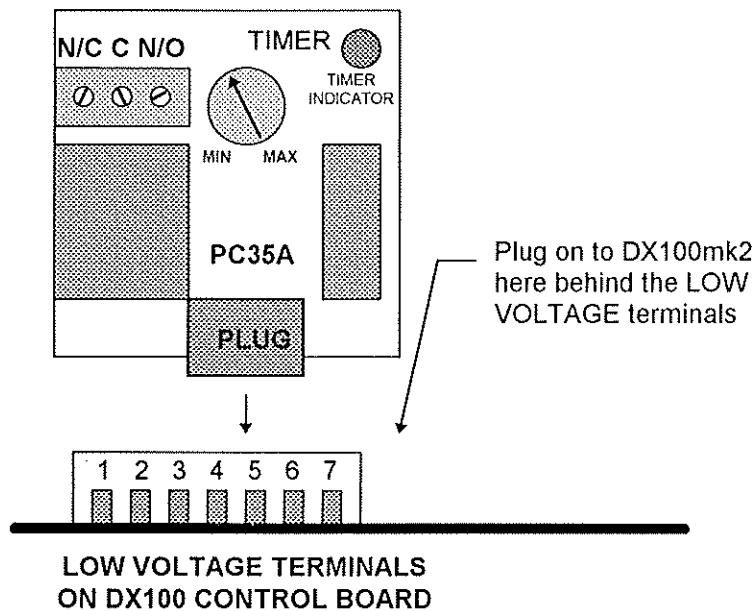
The time period is variable from 4 seconds to 3 minutes approximately.

Once activated the timer will run for the set period of time only and will not be affected by further activation's during the time period.

The PC35A does not have a light sensor input and therefore will operate both day and night.

## FITTING THE PC35A

Simply plug the module on to the DX100 mk2 control unit where shown. The components and terminal connector face the front and the module will plug on to the three PCB pins behind the LOW VOLTAGE terminals of the DX100 mk2.



## OPERATION

The relay will change over for the set duration each time the PC35A is activated.

The RED indicator shows when the timer is running.

The RED adjuster varies the time from 4 seconds to 3 minutes.

Fully clock-wise for maximum time.

## SPECIFICATION.

Contact rating 7 amps at 30 volts DC  
Operating voltage 12 volts DC  
Power consumption 40 m/a when relay activated  
Timer adjustable from 4 seconds to 3 minutes



**LUMINITE** Electronics Ltd.

2a Bellevue Road, Friern Barnet, LONDON N11 3ER

Tel: 020-8368 7887 Fax: 020-8368 3952

WWW.luminite.co.uk technical@luminite.co.uk

**TECHNICAL HELPLINE: 020-8361 5255**