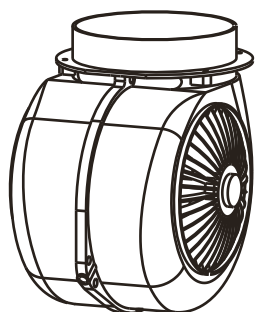


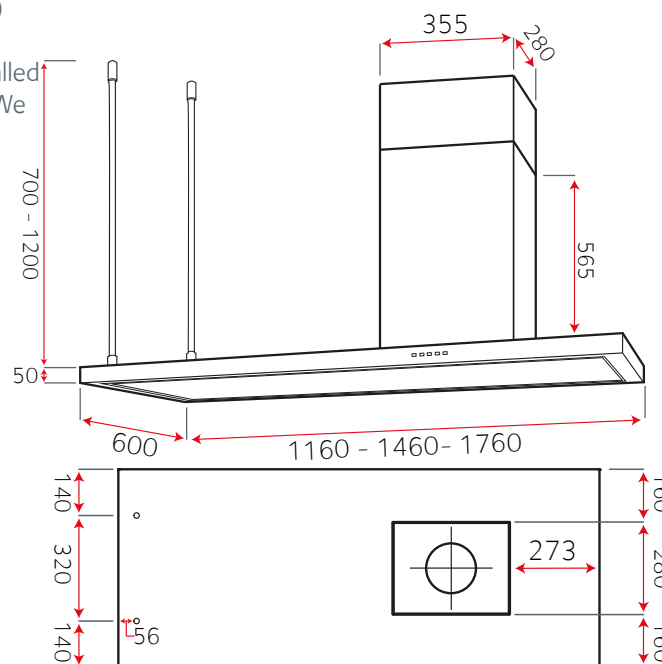


Reducer Collar reduces the motor exhaust from 150mm to 125mm if required (Already supplied in box)

Please note this hood must be installed on a minimum of 125mm Ducting - We highly recommend 150mm

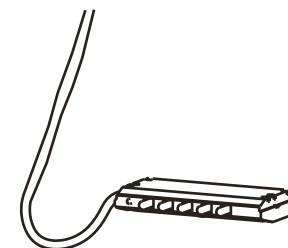


Spare Motor 1000 m³/hr
- 'A' Rated Energy Efficient
- Fits Models 90cm



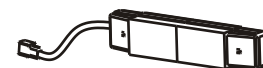
Replacement Switch
- Electronic Touch Control

Please contact Luxair for further information



LED Driver

Please contact Luxair for more information



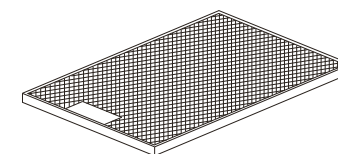
4 - 8 x 3w LED Down Light



Mesh Grills (current Models)

LA-Arezzo-ISL x1 429x284

Please note you must measure your mesh grill size. Older models will have different sizes to current models
tt



2x Charcoal Filter 5

(2 Filters Per Pack, 1 either side of Motor)

