



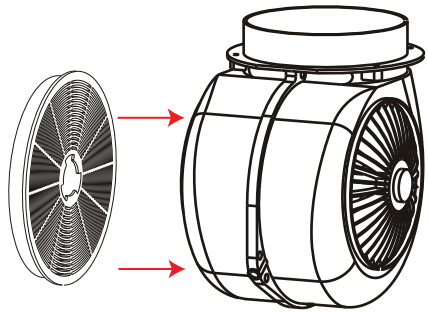
LUXAIR™
EXTRACTION WITH ATTRACTION

LA-604

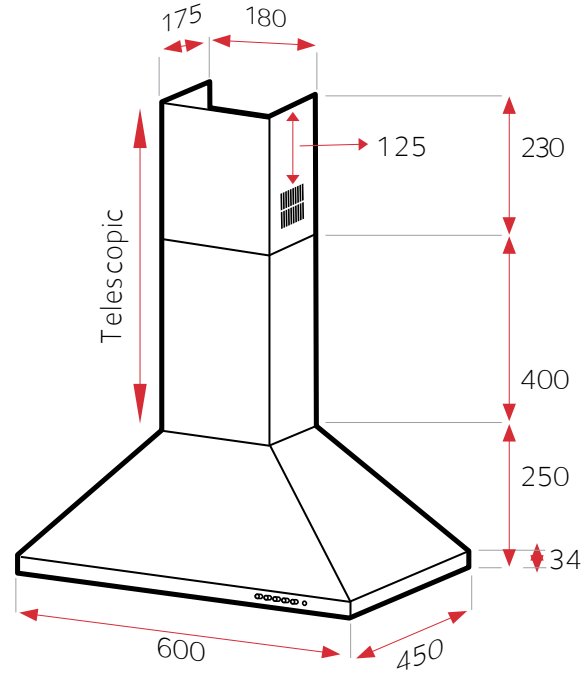


Reducer Collar reduces the motor exhaust from 150mm to 100mm if required

Already supplied in box

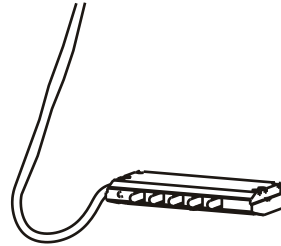


Spare Motor 480 m³/hr
- Fits Models 60cm

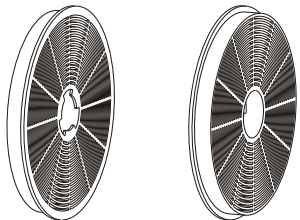


Replacement Switch 1

Please note on models pre 2012, switch unit is hard wired to the motor. All current models have a plug fitted to both the switch and motor



2x Standard 40w ES Bulb
(1 fitting fits 2 Bulbs)



2x Charcoal Filter 5

(2 Filters Per Pack, 1 either side of Motor)

Please note hoods manufactured pre 2012 require 2x charcoal filter 4

Mesh Grills (current Models)

LA-604 x1 380x300
(All Sizes)

Please note you must measure your mesh grill size. Older models will have different sizes to current models

