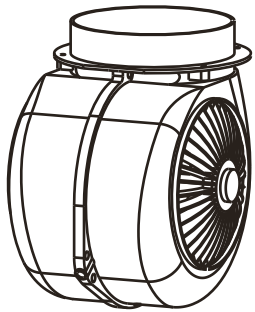




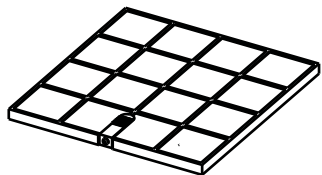
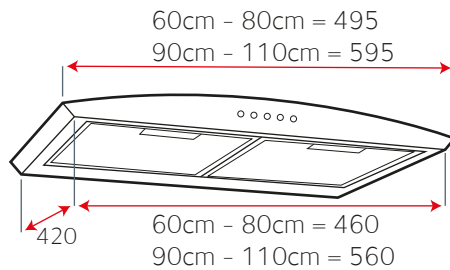
Reducer Collar reduces the motor exhaust from 150mm to 125mm if required (Already supplied in box)

\*\*Please note this hood must be installed on a minimum of 125mm Ducting\*\*



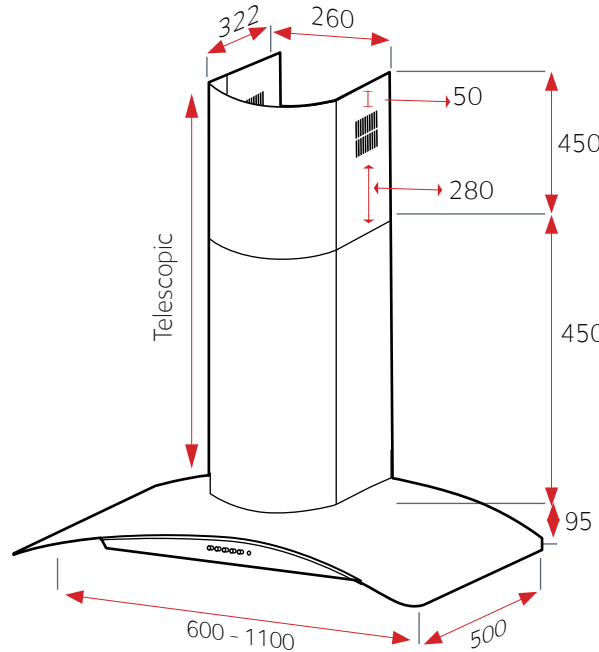
Spare Motor 680 m<sup>3</sup>/hr  
- Fits Models 60cm - 90cm

Spare Motor 980 m<sup>3</sup>/hr  
- Fits Models 100cm - 110cm



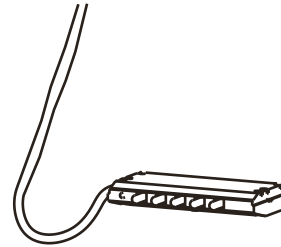
1x Charcoal Filter Square 2

\*\*Please note this filter fits directly under the motor. A screw fixing is located behind the metal grease filters\*\*



Replacement Switch 2

\*\*Please note on models pre 2012, switch unit is hard wired to the motor. All current models have a plug fitted to both the switch and motor\*\*



Transformer - 1



-2x Halogen Fittings (All Models)



Mesh Grills (current Models)

LA-60-CVD	x1	400x317
LA-70-CVD	x1	400x317
LA-80-CVD	x1	400x317
LA-90-CVD	x2	317x258
LA-100-CVD	x2	317x258
LA-110-CVD	x2	317x258

\*\*Please note you must measure your mesh grill size. Older models will have different sizes to current models\*\*

