



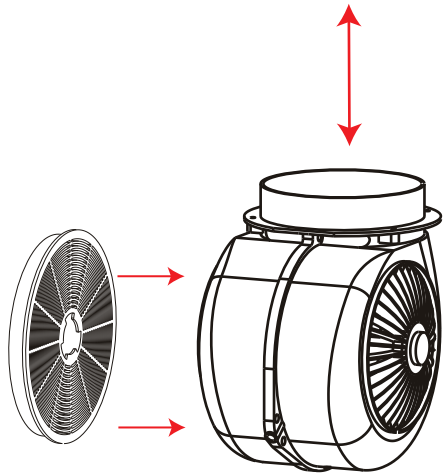
**LUXAIR**<sup>TM</sup>  
EXTRACTION WITH ATTRACTION

# LA-INT

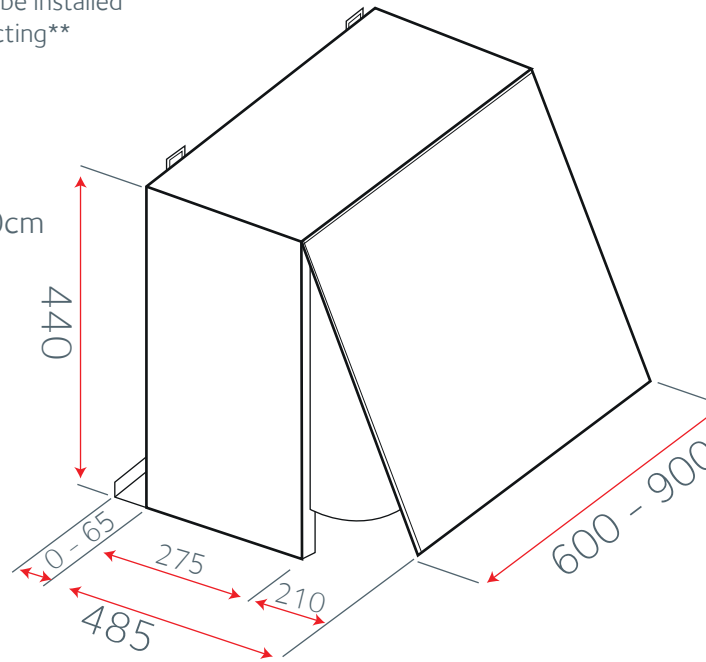


Reducer Collar reduces the motor exhaust from 150mm to 125mm if required (Already supplied in box)

\*\*Please note this hood must be installed on a minimum of 125mm Ducting\*\*

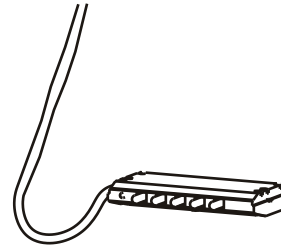


Spare Motor 950 m<sup>3</sup>/hr  
- Fits Models 60cm - 90cm



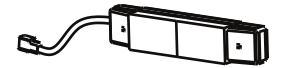
Replacement Switch

\*\*Please contact Luxair for further information\*\*

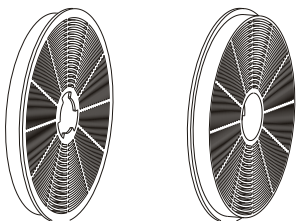


LED Driver

\*\*Please contact Luxair for more information\*\*



- 2x 3w LED Light Fittings



2x Charcoal Filter 5

(2 Filters Per Pack, 1 either side of Motor)

Mesh Grills (current Models)

|                 |         |
|-----------------|---------|
| LA-60-INT-SS x1 | 490x202 |
| LA-90-INT-SS x1 | 790x202 |

\*\*Please note you must measure your mesh grill size. Older models will have different sizes to current models\*\*

