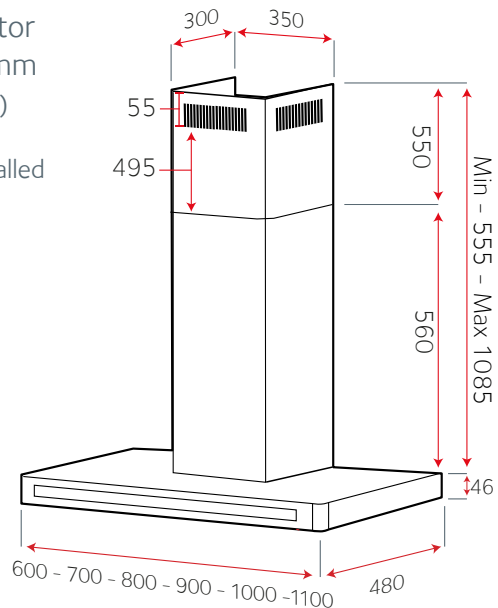




Reducer Collar reduces the motor exhaust from 150mm to 125mm if required (Already supplied in box)

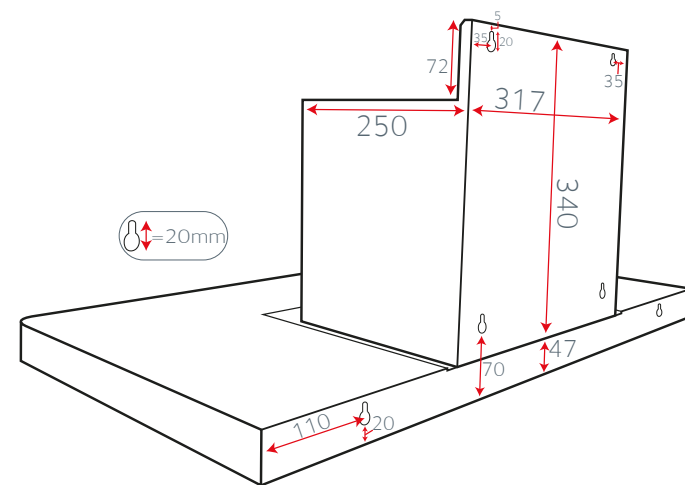
Please note this hood must be installed on a minimum of 125mm Ducting

Spare Motor 950 m³/hr
- Fits Models 60cm - 110cm

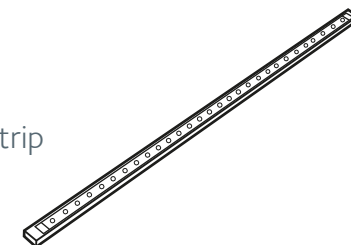


2x Charcoal Filter 1

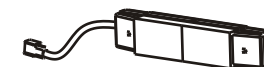
(2 Filters Per Pack, 1 either side of Motor)



- 1x 7w LED Light Strip



LED Driver
Please contact Luxair for more information



Mesh Grills (current Models)

LA-Linea-All Sizes x1 410x279

Please note you must measure your mesh grill size. Older models will have different sizes to current models

