



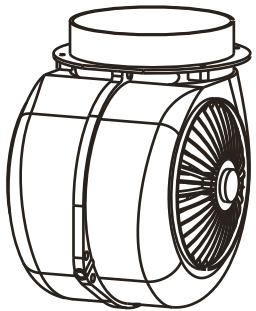
**LUXAIR™**  
EXTRACTION WITH ATTRACTION

# LA-CVD-ISL

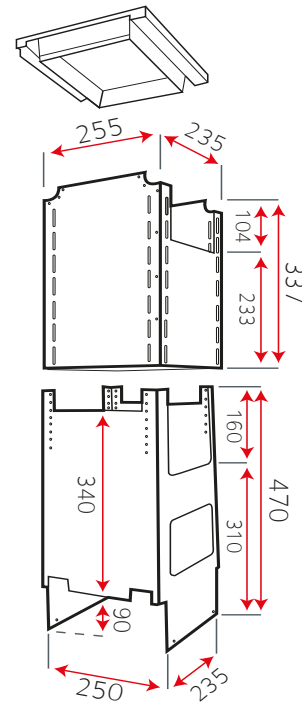
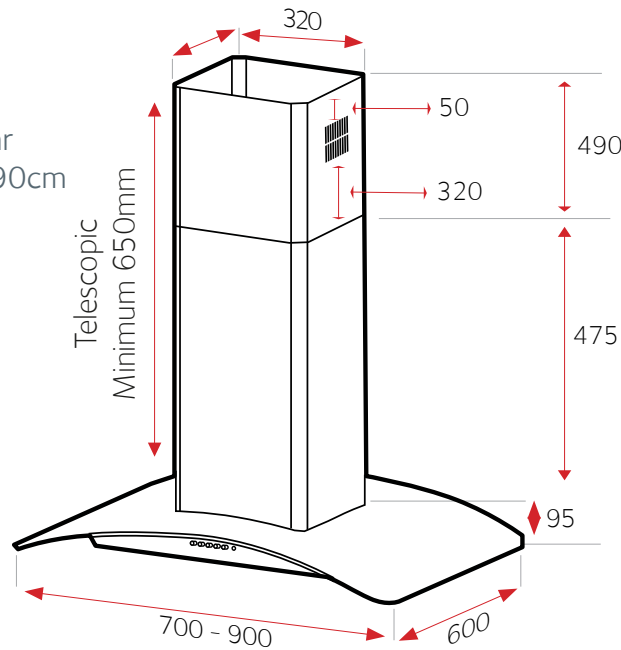


Reducer Collar reduces the motor exhaust from 150mm to 125mm if required (Already supplied in box)

\*\*Please note this hood must be installed on a minimum of 125mm Ducting\*\*

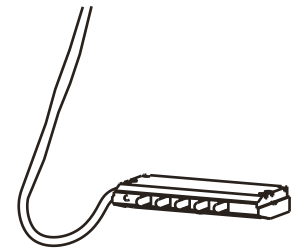


Spare Motor 980 m<sup>3</sup>/hr  
- Fits Models 70cm - 90cm

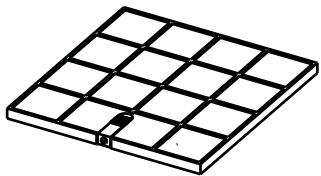


Replacement Switch 2

\*\*Please note on models pre 2012, switch unit is hard wired to the motor. All current models have a plug fitted to both the switch and motor\*\*



-4x 20w Halogen Fittings

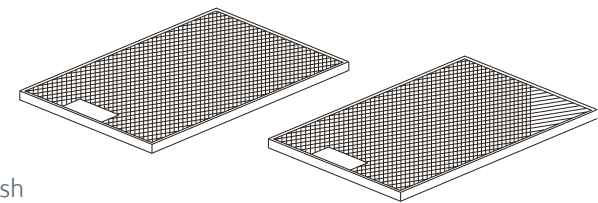


1x Charcoal Filter Square 2

\*\*Please note this filter fits directly under the motor. A screw fixing is located behind the metal grease filters\*\*

Mesh Grills (current Models)

LA-CVD-ISL x2 317x258  
(All Models)



\*\*Please note you must measure your mesh grill size. Older models will have different sizes to current models\*\*