



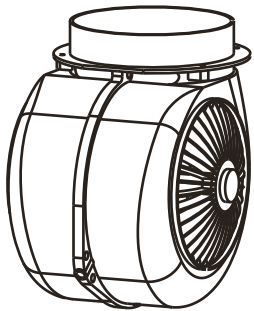
LUXAIRTM
EXTRACTION WITH ATTRACTION

LA-RND-ISL

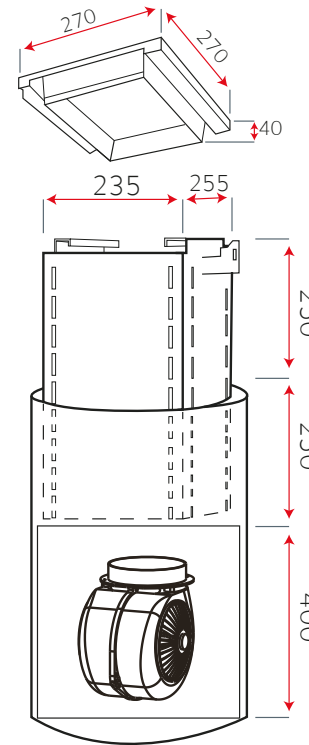
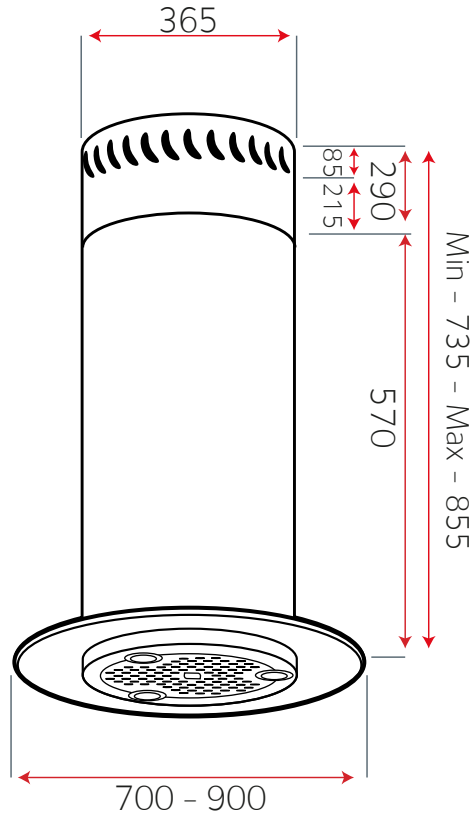


Reducer Collar reduces the motor exhaust from 150mm to 125mm if required (Already supplied in box)

Please note this hood must be installed on a minimum of 125mm Ducting



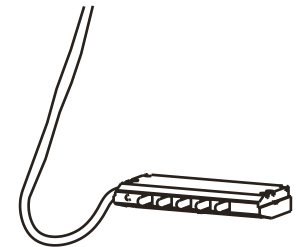
Spare Motor 980 m³/hr
- Fits Models 70cm - 90cm



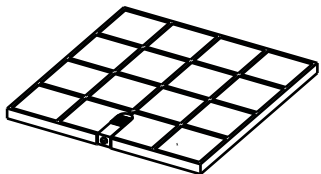
Please note the Subframe for the LA-RND ISL is adjustable and has a sliding mechanism on the ceiling bracket for easy installation.

Replacement Switch

Please Contact Luxair For details



-3x 20w Halogen Fittings
+ 3 LED Bead Lights

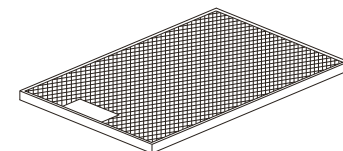


1x Charcoal Filter Square 3

Please note this filter fits directly under the motor. A screw fixing is located behind the metal grease filters

Mesh Grills (current Models)

LA-RND-ISL x1 250x220
(All Models)



Please note you must measure your mesh grill size. Older models will have different sizes to current models