



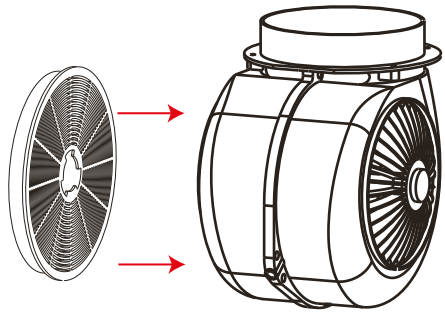
LUXAIRTM
EXTRACTION WITH ATTRACTION

LA-CAN-BG/WG

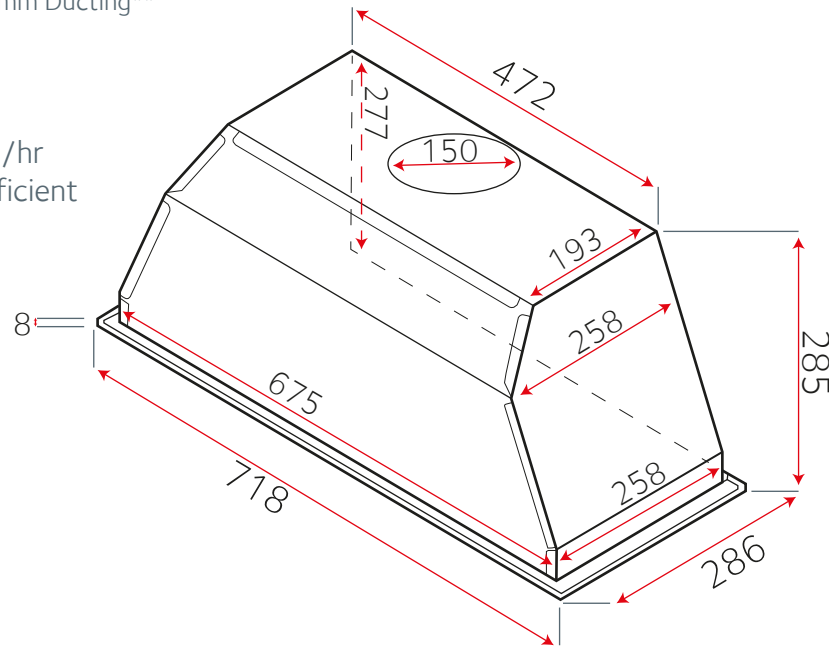


Reducer Collar reduces the motor exhaust from 150mm to 125mm if required (Already supplied in box)

Please note this hood must be installed on a minimum of 125mm Ducting

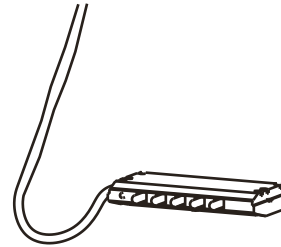


Spare Motor 950 m³/hr
- A Rated Energy Efficient



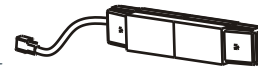
Replacement Switch

Please contact Luxair for further information

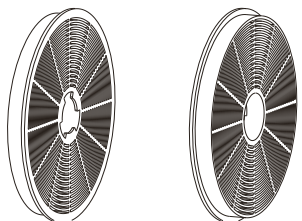


LED Driver

Please contact Luxair for more information



- 2x 1.2w LED Light Fittings

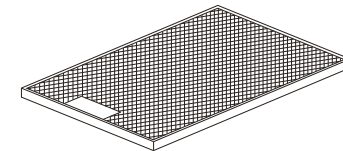


2x Charcoal Filter 1

(2 Filters Per Pack, 1 either side of Motor)

Mesh Grills (current Models)

LA-72-CAN-BLK x1 450x144
LA-72-CAN-BLK x1 450x144



Please note you must measure your mesh grill size. Older models will have different sizes to current models