



LUXAIR™
EXTRACTION WITH ATTRACTION

Remote Motor Kit For LA-Anzi Ceiling Hood

Mounting Instructions For Use With Removable Motor Kit:

The Anzi Ceiling hood has the option to allow you to install the motor seperattely away from the actual hood, the motor can be placed into a loft space or ceiling void at a maximum of 6m away. We highly recommend using 6" ducting (6" round ducting - 180x95 rectangular equivalent)

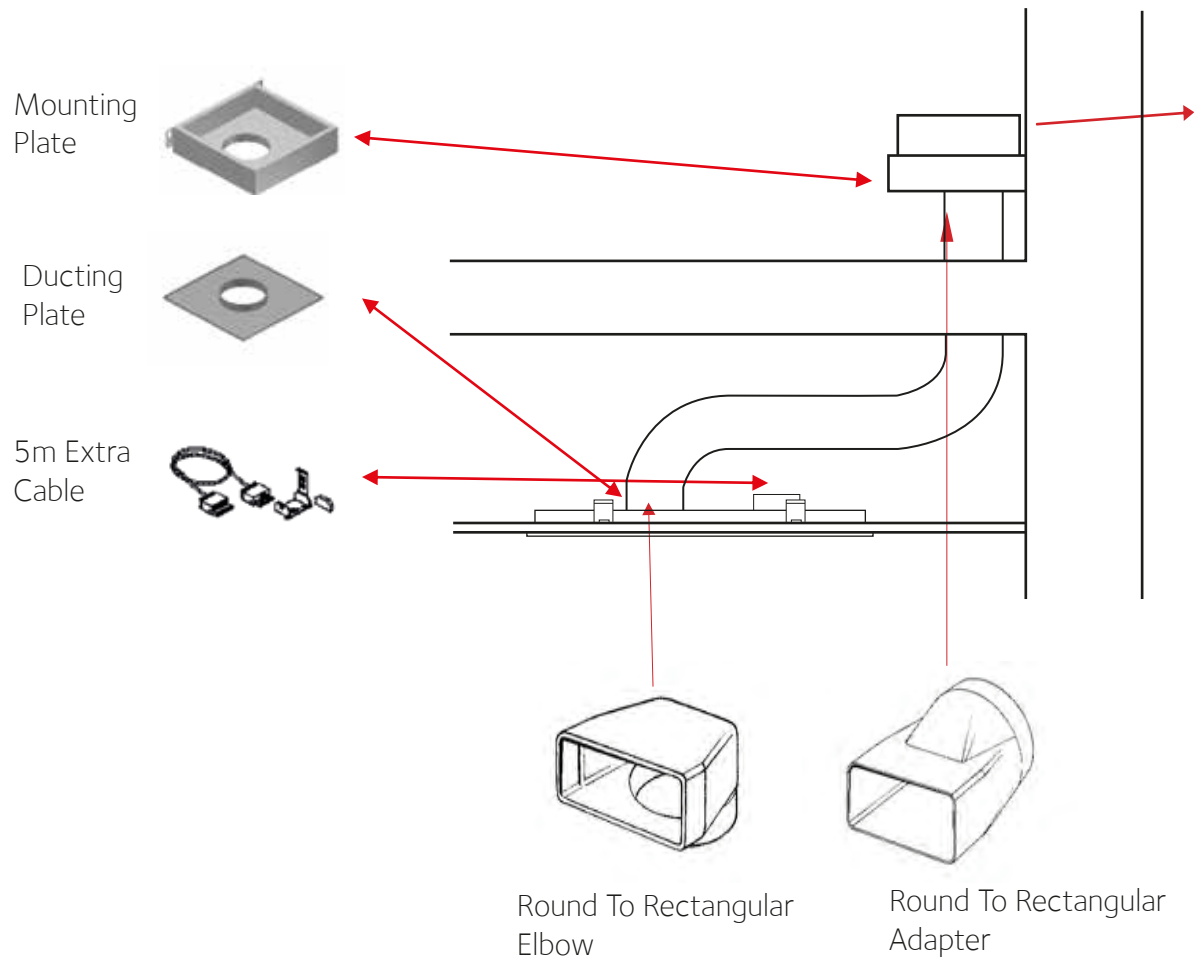
Please note that the motor on this unit is an internal motor and cannot be used outside. It must be in a dry space away from moisture.

You will need this extra kit with this ceiling hood if you are installing the motor away from the hood.

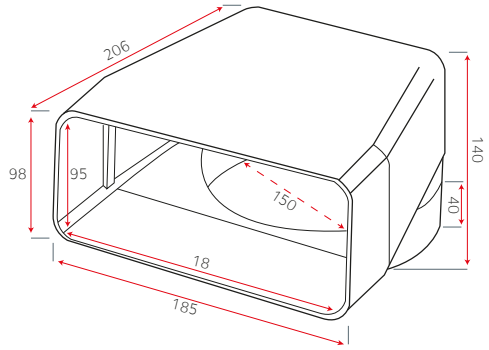
The Motor is supplied with your ceiling hood, this kit is for the following equipment:

- 1x Mounting Plate
- 1x Ducting Plate
- 1x 5m Extra Cable
- 1x Round to Rectangular Elbow
- 1x Round To Rectangular Adapter

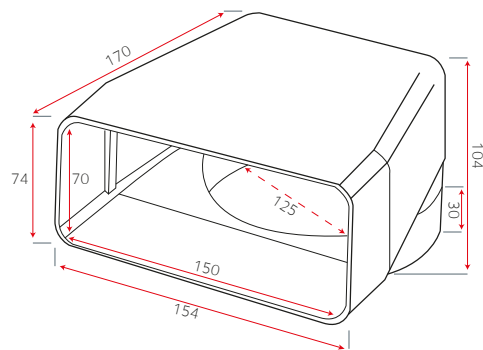
Please check your ducitng with your installer as you might not need to use any ducting adapters. They are in the kit to make it easier for you to connect ducting to the mounting and ducting plates



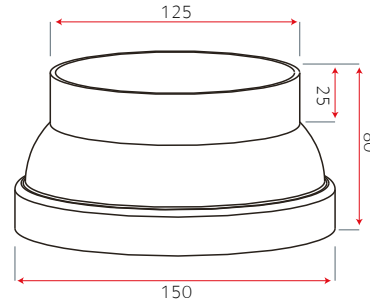
6" - 180 x 95 Ducting



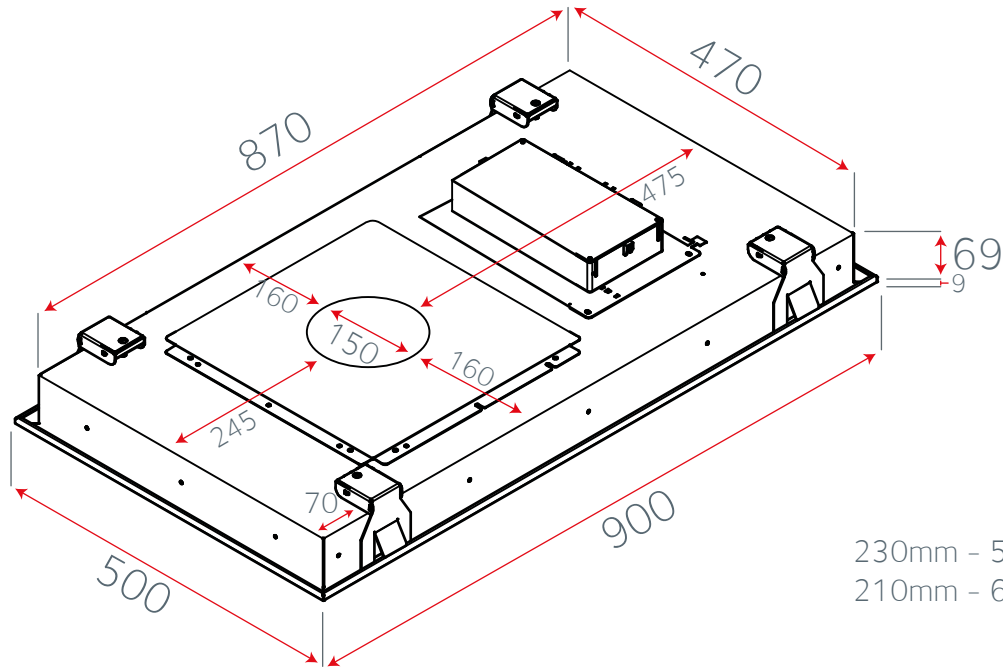
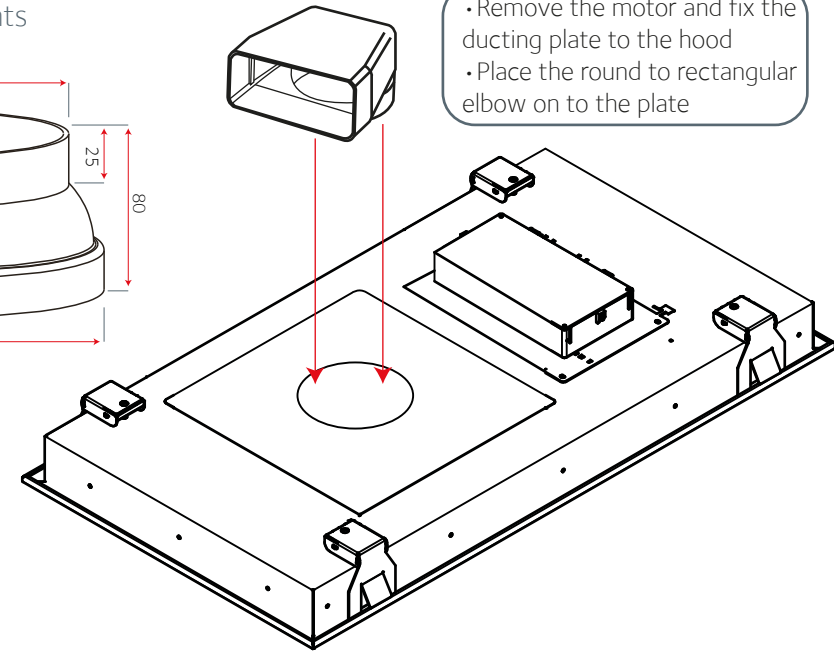
5" - 150 x 70 Ducting



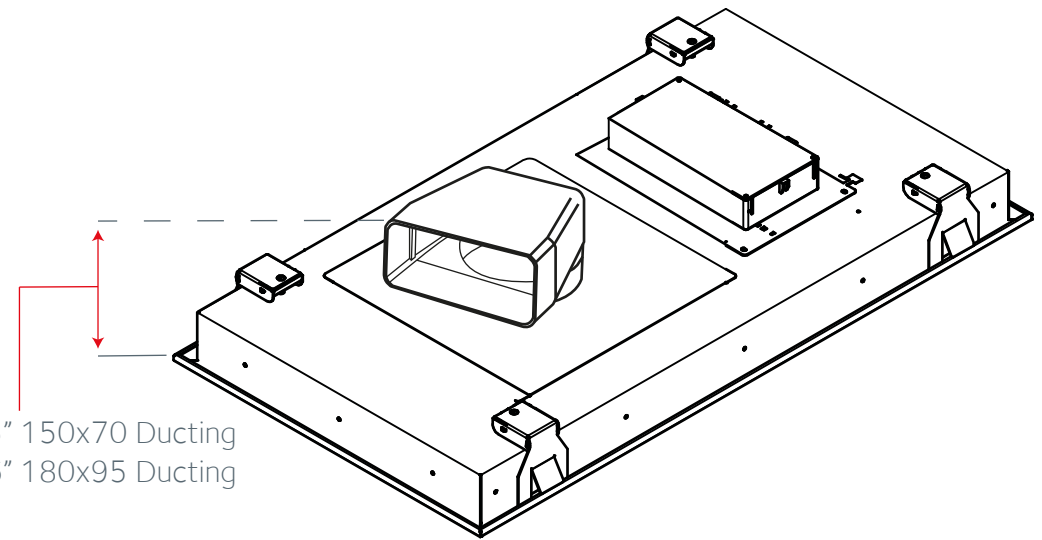
Reducer Collar Required For Use With 5" Ducting. Fits directly on top of 6" ducting vents

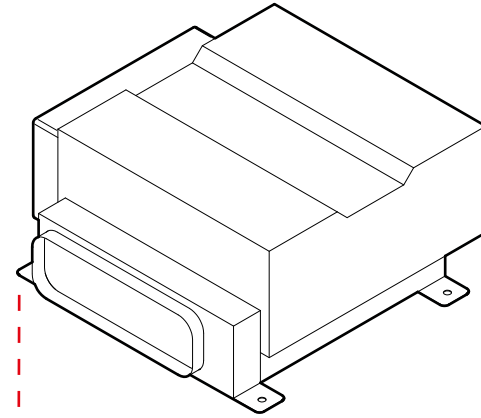
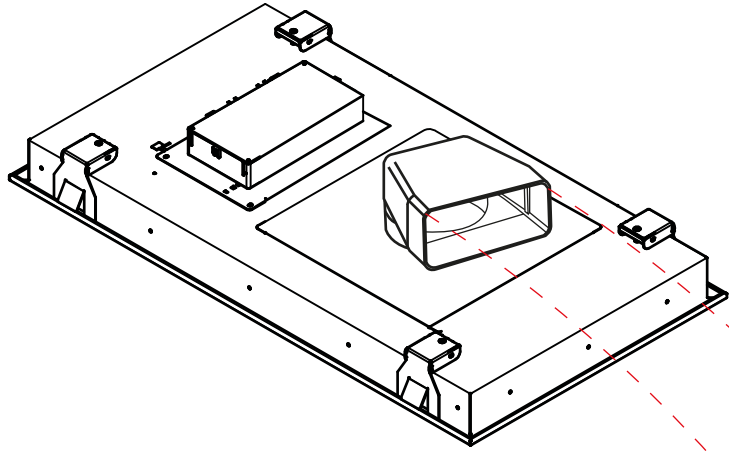


- Remove the motor and fix the ducting plate to the hood
- Place the round to rectangular elbow on to the plate

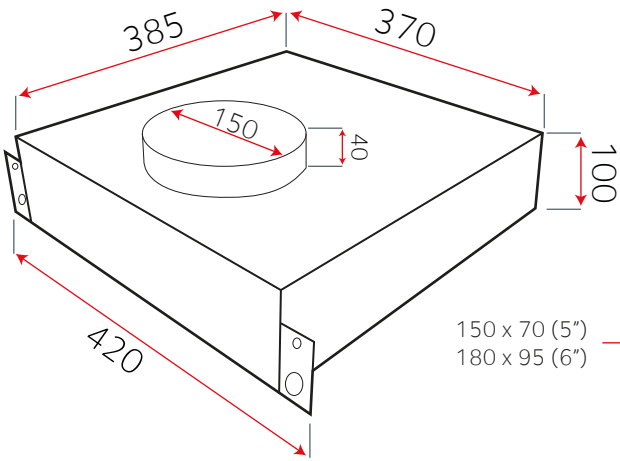
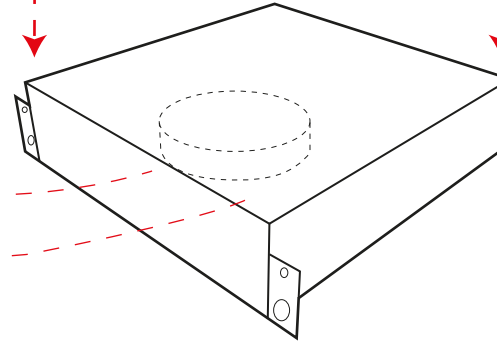


230mm - 5" 150x70 Ducting
210mm - 6" 180x95 Ducting

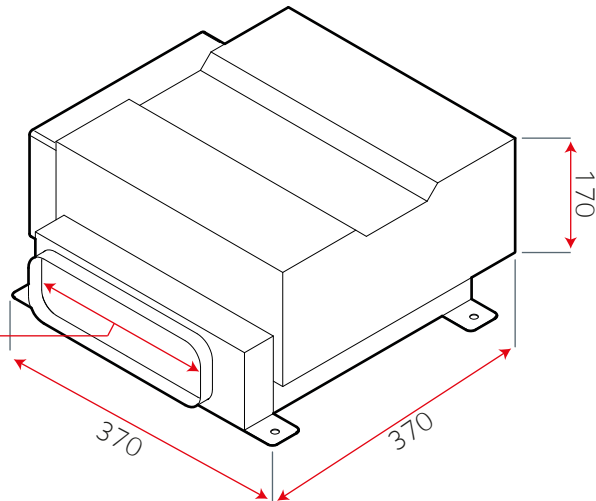




- Place the motor on top of the mounting plate/remote motor box.
- Install your motor and remote motor box
- Duct between your hood and the remote motor box



150 x 70 (5")
180 x 95 (6")



1) The Anzi has a slimline motor as standard. This can be removed with ease by unscrewing the screws at the bottom of the motor.

2) Attach the Ducting Plate to the hood. This will fit in exactly the same location as the motor.

The size of the ducting hole is 6" / 150mm wide (equivalent to 180x95 rectangular ducting)

3) Attach the ducting elbow should you require it. Please note if you are using 5" (150mm x 70mm) ducting you will need to also use the reducer collar supplied with your kit.

4) Attach the motor to the remote ducting plate and secure with the same screws you took the motor off the hood with.

5) Duct between the hood and the remote motor box.