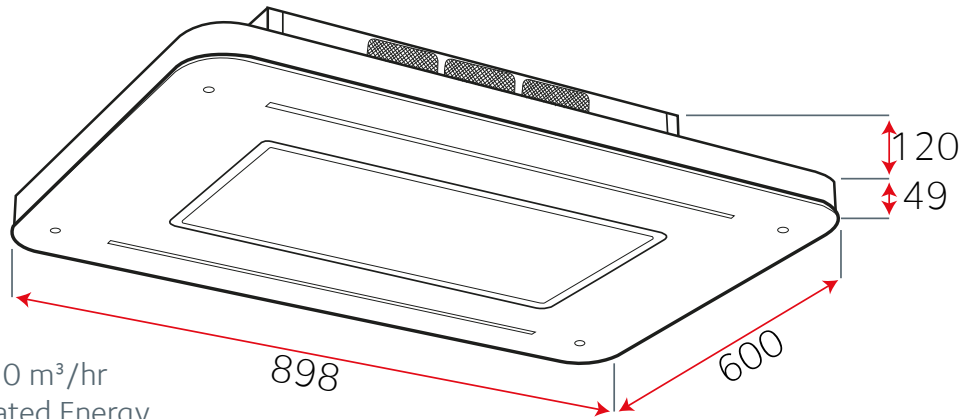
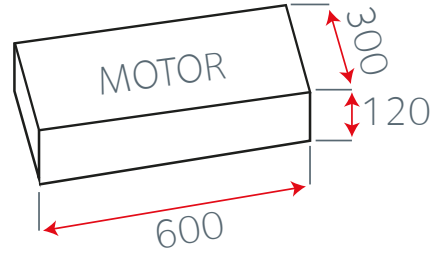
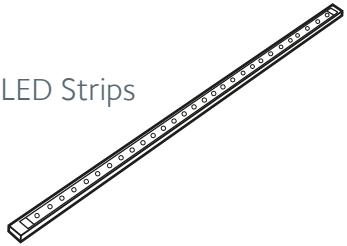




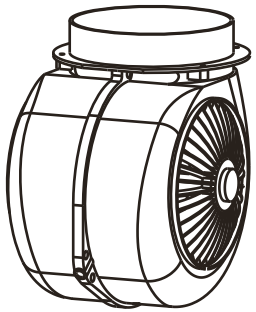
**LUXAIR™**  
EXTRACTION WITH ATTRACTION

# LA-COSMIC-STRATOS

- 2x 7wx LED Strips

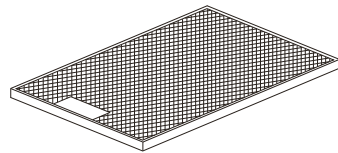


Spare Motor 950 m<sup>3</sup>/hr  
- New Flat 'A' Rated Energy Efficient Motor

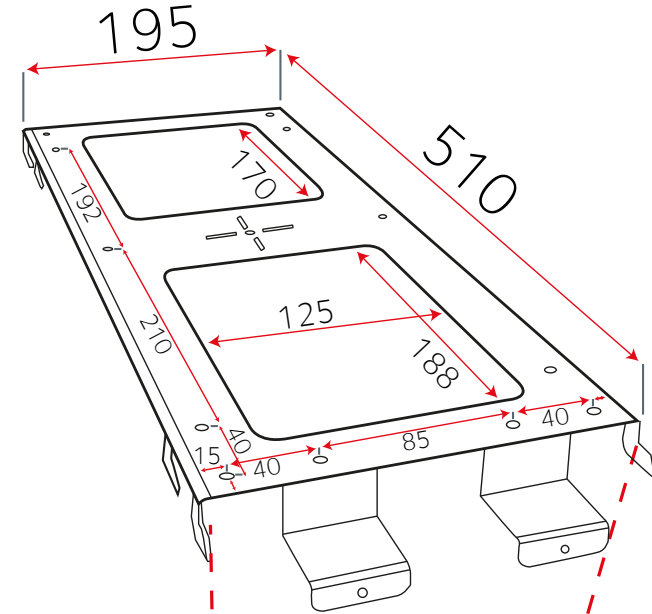


Mesh Grills (current Models)

LA-COSMIC-STRATOS x1 260x230  
(All Models)



\*\*Please note you must measure your mesh grill size. Older models will have different sizes to current models\*\*



Secure the mounting plate to the ceiling then simply push the ceiling hood on to the secured bracket.

