



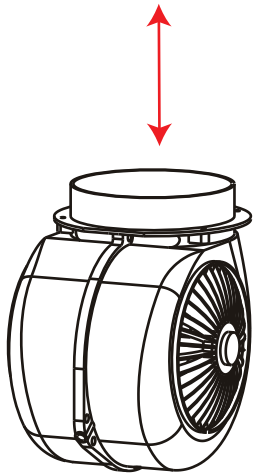
LUXAIRTM
EXTRACTION WITH ATTRACTION

LA-FLT-ISL

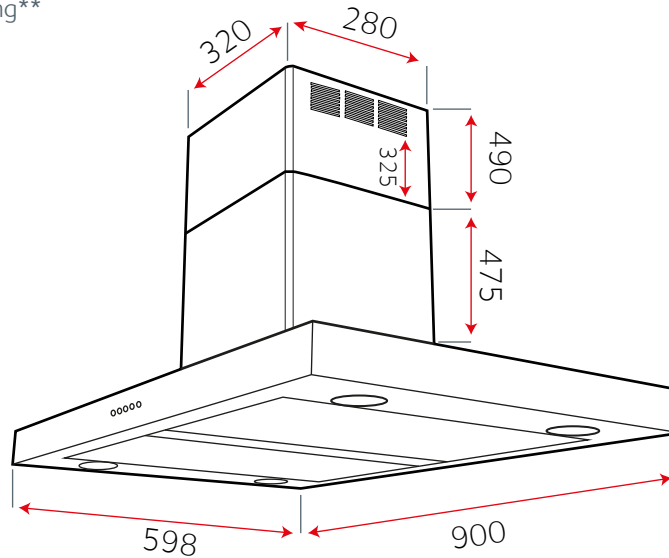


Reducer Collar reduces the motor exhaust from 150mm to 125mm if required (Already supplied in box)

Please note this hood must be installed on a minimum of 125mm Ducting

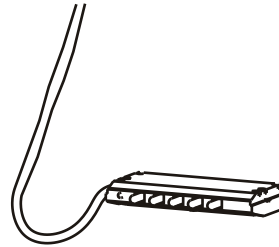


Spare Motor 980 m³/hr
- Fits Model 90cm

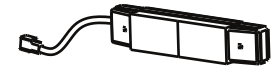


Replacement Switch 2

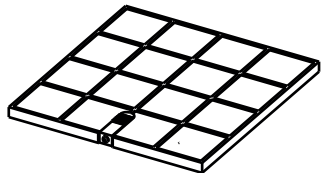
Please note on models pre 2012, switch unit is hard wired to the motor. All current models have a plug fitted to both the switch and motor



Transformer - 2



-4x 20w Halogen Fittings



1x Charcoal Filter Square 2

Please note this filter fits directly under the motor. A screw fixing is located behind the metal grease filters

Mesh Grills (current Models)

LA-90-FLT-ISL x4 298x260
(All Models)

Please note you must measure your mesh grill size. Older models will have different sizes to current models

