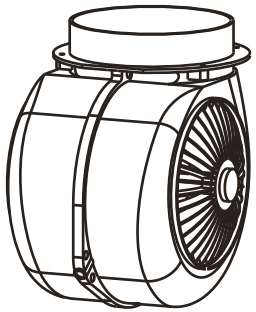
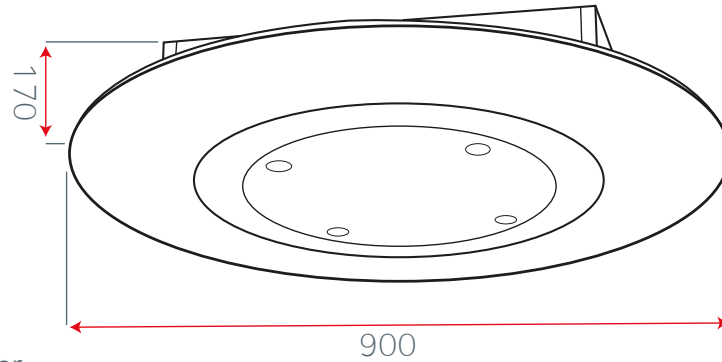
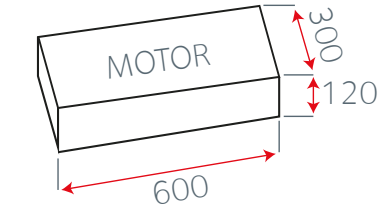




LUXAIR™
EXTRACTION WITH ATTRACTION

LA-GRAVITY-STRATOS

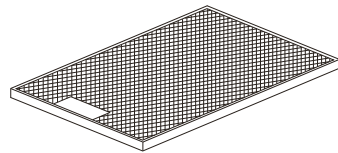
- 4x 3w LED Lights



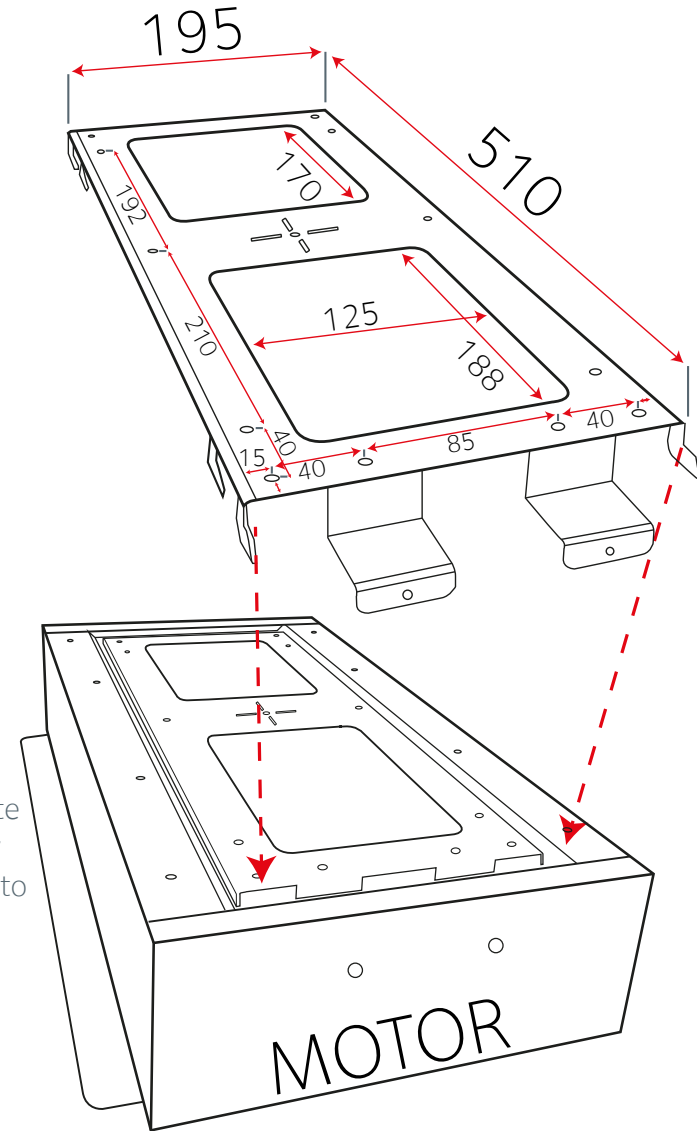
Spare Motor 950 m³/hr
- New Flat 'A' Rated Energy
Efficient Motor

Mesh Grills (current Models)

LA-GRAVITY-STRATOS x1 445x185
(All Models)



Please note you must measure your mesh grill size. Older models will have different sizes to current models



Secure the mounting plate to the ceiling then simply push the ceiling hood on to the secured bracket.