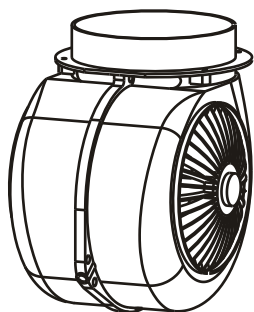


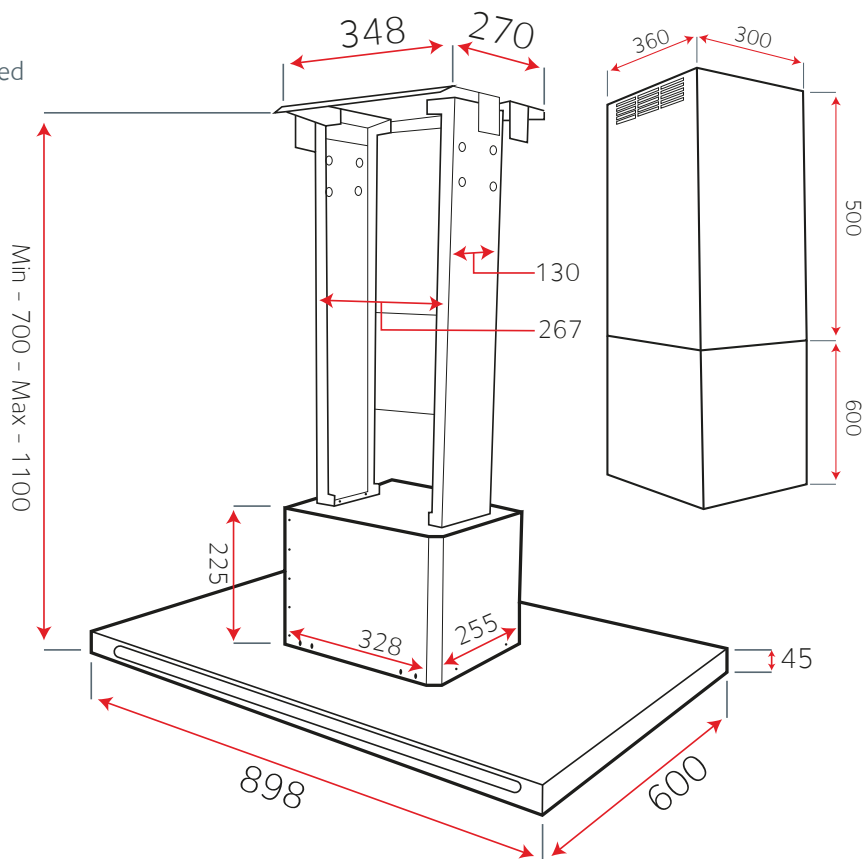
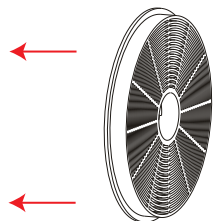


Reducer Collar reduces the motor exhaust from 150mm to 125mm if required (Already supplied in box)

\*\*Please note this hood must be installed on a minimum of 125mm Ducting\*\*

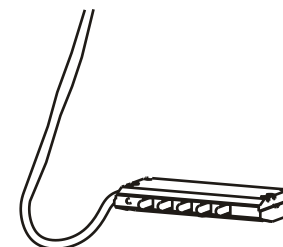


Spare Motor 950 m<sup>3</sup>/hr

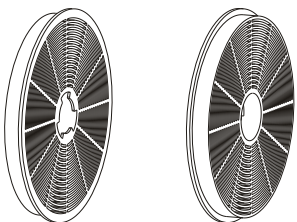


Replacement Switch

\*\*Please contact Luxair for more info\*\*



-2x 7w LED Lighting Strips



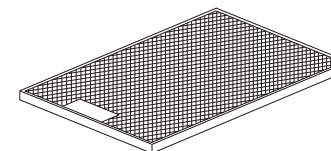
2x Charcoal Filter 5

(2 Filters Per Pack, 1 either side of Motor)

\*\*Please note hoods manufactured pre 2012 require 2x charcoal filter 1\*\*

Mesh Grills (current Models)

LA-Linea-ISL x1 426x284  
(All Models)



\*\*Please note you must measure your mesh grill size. Older models will have different sizes to current models\*\*