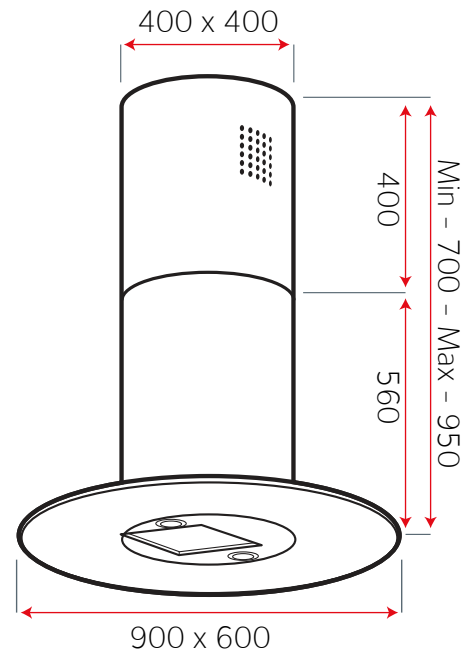


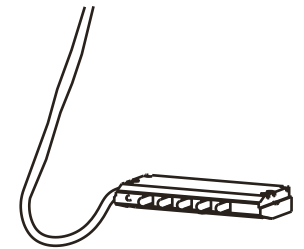
Reducer Collar reduces the motor exhaust from 150mm to 125mm if required (Already supplied in box)

Please note this hood must be installed on a minimum of 125mm Ducting

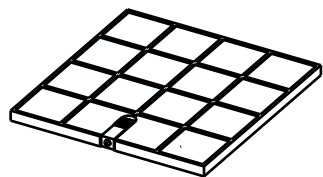


Replacement Switch 2

Please note on models pre 2012, switch unit is hard wired to the motor. All current models have a plug fitted to both the switch and motor



-2x 20w Halogen Lighting

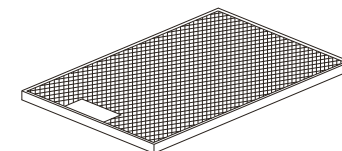


1x Charcoal Filter Square 3

Please note this filter fits directly under the motor. A screw fixing is located behind the metal grease filters

Mesh Grills (current Models)

LA-Oval-ISL x1 219x251



Please note you must measure your mesh grill size. Older models will have different sizes to current models