



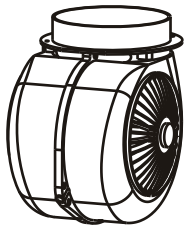
**LUXAIR**<sup>TM</sup>  
EXTRACTION WITH ATTRACTION

# LA-TURBO



Reducer Collar reduces the motor exhaust from 150mm to 125mm if required (Already supplied in box)

\*\*Please note this hood must be installed on a minimum of 125mm Ducting\*\*



Spare Motor 1200 m<sup>3</sup>/hr

Mesh Grills (current Models)

LA-TURBO x2 298x260

\*\*Please note you must measure your mesh grill size. Older models possibly have different sizes to current models\*\*

2x Charcoal Filter 2

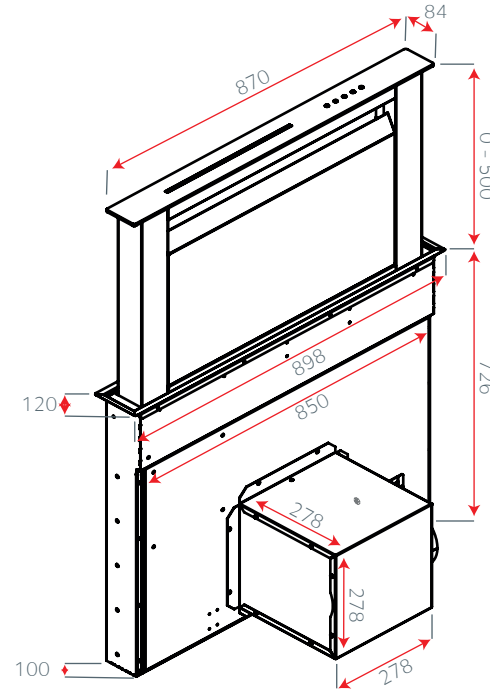
\*\*Please note this filter fits directly behind the black glass and grease filters\*\*

Replacement Switch-  
Touch Sensitive

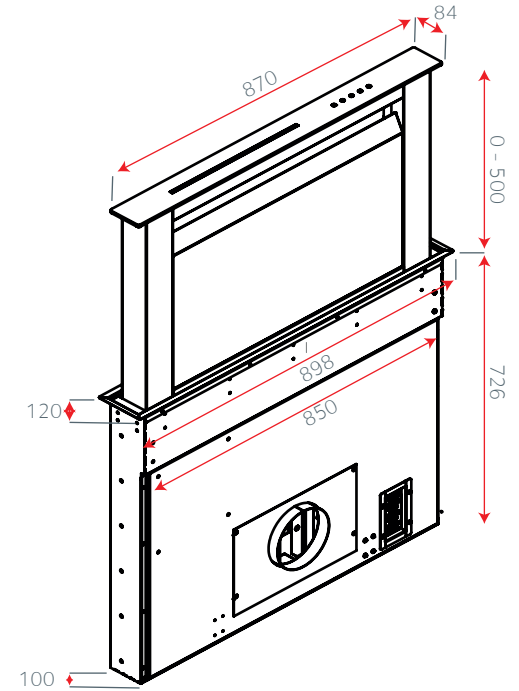
\*\*Please contact Luxair for further information\*\*

LED Driver  
\*\*Please contact Luxair for more information\*\*

- 6x 3w LED Spot Fittings  
+ 1x 6w LED Decorative Strip



Motor Attached



Motor Detached

