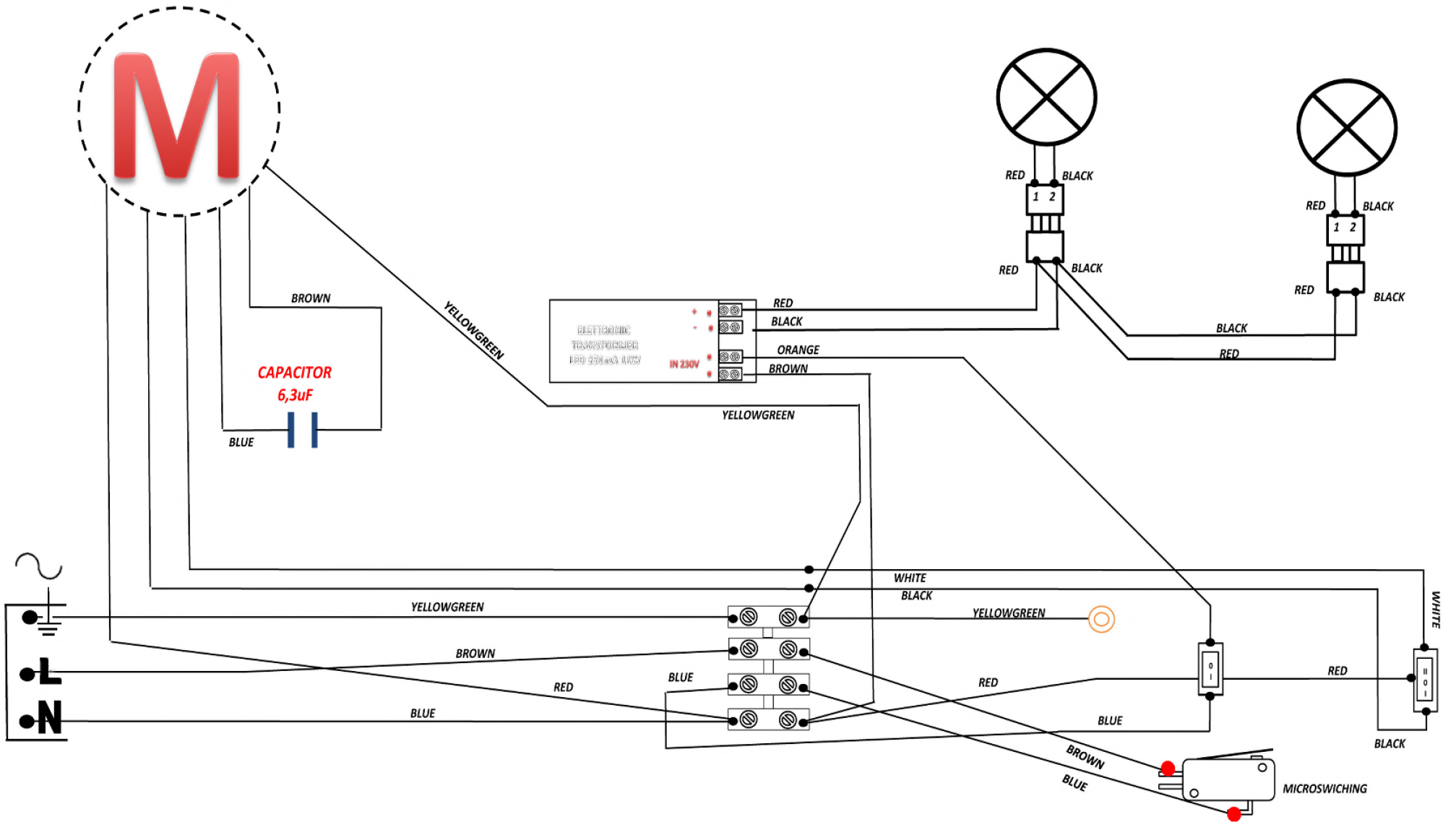


USE AND MAINTENANCE INSTRUCTIONS

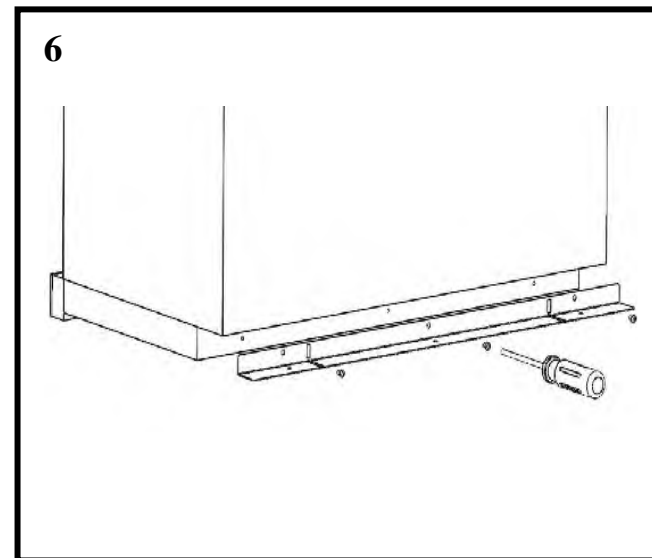
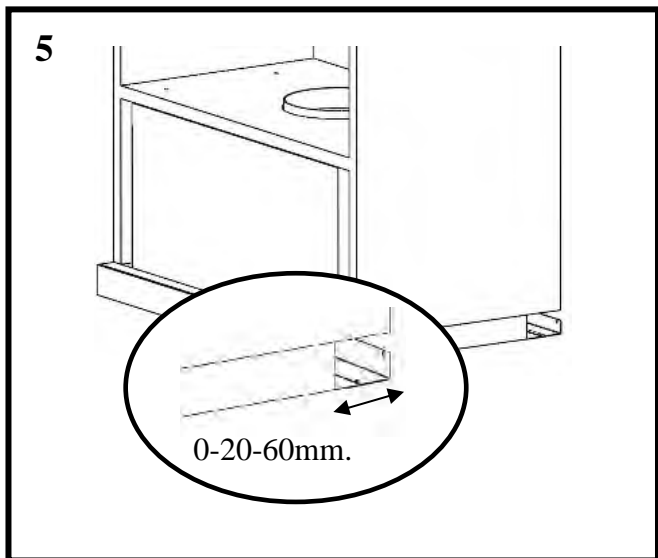
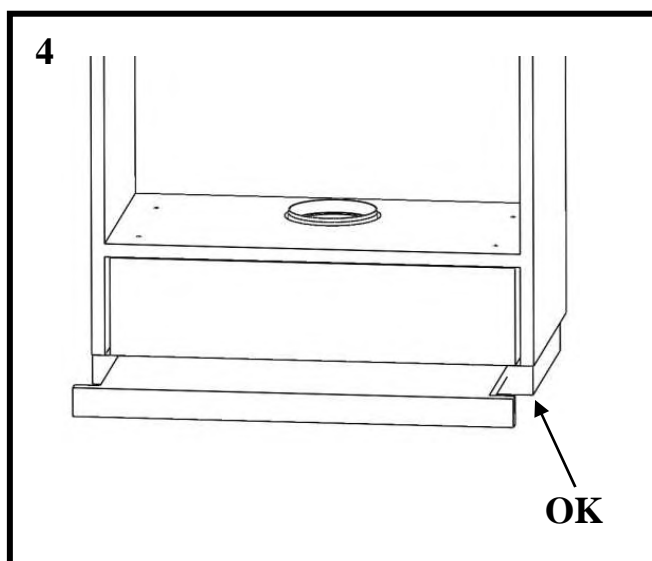
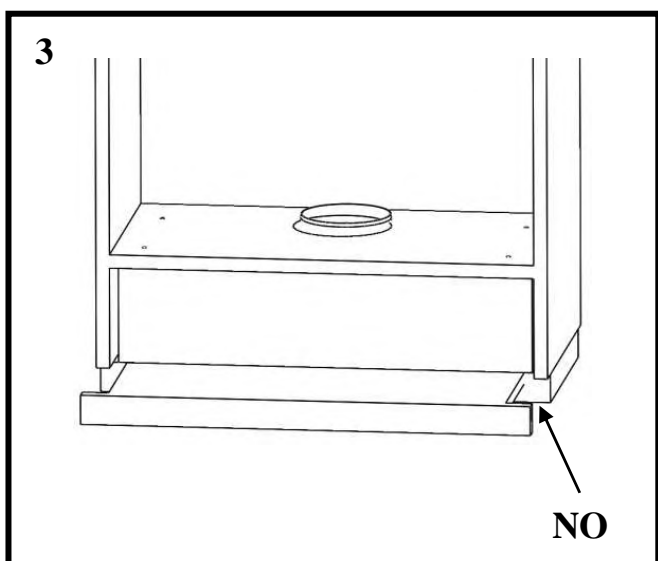
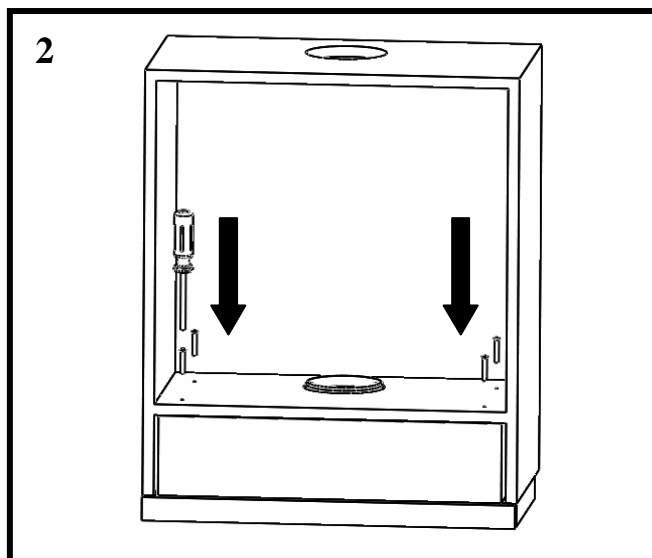
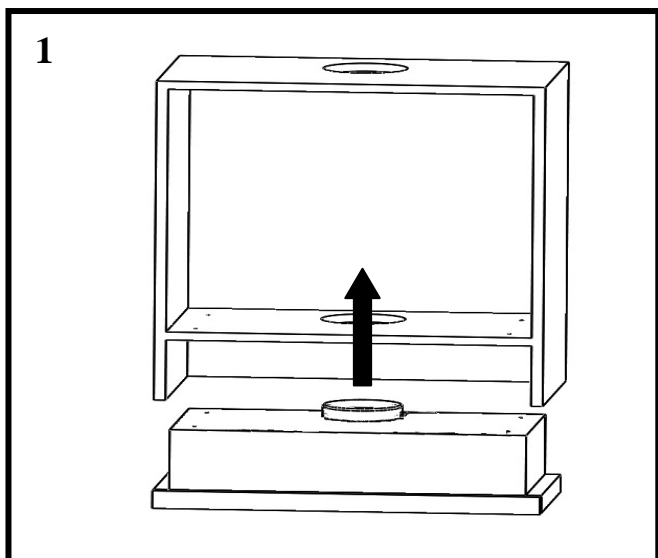


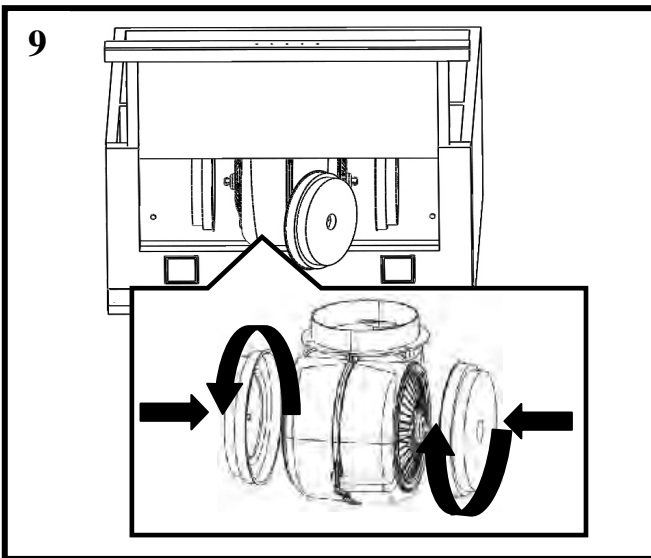
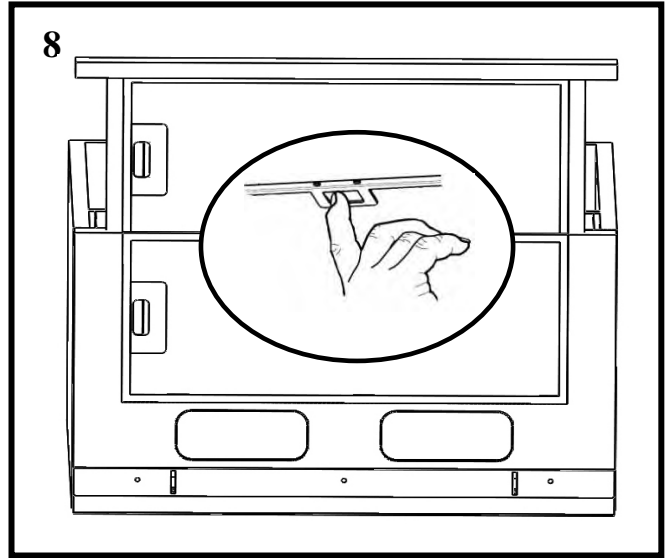
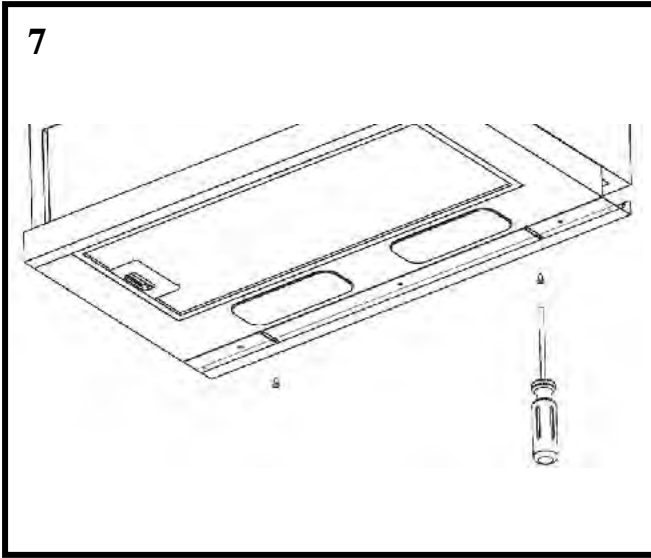
LA-60-TEL-SS


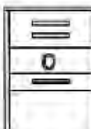
LA-90-TEL-SS



Please note Minimum 5" Ducting required. Ducting less than this will invalidate your warranty





ELETTRONIC CONTROL PANEL PL:		
GB		<p>A</p> <p>B</p>
		<p>C</p> <p>D</p> <p>E</p>
	A- OFF Light	
	B- ON Light	
	C- Speed MAX	
D- Motor OFF		
E- Speed MIN		

- A. Do not do flambé cooking under the hood
- B. Constantly check while using the fryers because overheated oil can catch fire
- C. Prior to any cleaning operation, disconnect the unit from electrical power by pulling the plug or operating the switch
- D. If in the room the hood is simultaneously used with other appliances that give off fumes, not powered by electricity, the room should be provided with ventilation
- E. Avoid having free turned on stoves (not used)
- F. Limit the use of the hood to its designed purpose: removal of cooking odours; do not use it for other purposes
- G. It is recommended to start the hood shortly before performing any cooking operation and to let it run after cooking for at least 15 minutes and anyway until the odour has disappeared
- H. This unit is not intended for use by persons (including children) with reduced physical, sensory or mental capabilities, or lack of experience and knowledge, unless they have been instructed with regard to the use of the device and are supervised by a person responsible for their safety. Children should be supervised in order to make sure they do not play with the appliance.
- I. The room must have sufficient ventilation when the hood is used simultaneously with other appliances that use gas or other fuels
- L. There is the possibility of fire if cleaning operations are not done according to the instructions
WARNING: accessible parts may become hot when using the hob.
- M. Air should not be discharged into any duct used to discharge exhaust fumes produced by appliances burning gas or other fuels.
- N. Follow the laws applicable for external air evacuation.
- O. If the power cable is damaged, it must be replaced by the manufacturer or an authorized technical service center or by a qualified technician in order to avoid hazards.

TECNICAL SPECIFICATIONS

The technical data pertaining to the electric appliance The technical specifications of the appliance are shown on the rating plates located inside the range hood.

INSTALLATION INSTRUCTIONS

This hood has been arranged to be installed above a cook top.

ASPIRATING TYPES: External exhaust Minimum 5" Ducting required
FILTERING TYPES: Internal re-cycling

We suggest to have installation carried out by qualified personnel, in compliance with all the current regulations and in particular with the ones concerning air exhaust. The manufacturer cannot be held liable for damages caused by improper installation or if it has not been carried out according to the state-of-the-art.

Safety:

Do not connect the appliance discharge to exhaust ducts of smokes produced by combustion that is not supplied by electrical power.

The minimum safety distance between the cooking counter and the hood is 65 cm.

In the case in which both the hood and apparatuses emit fumes, do not operate electrical energy. A sufficient aeration of the setting needs to be created.

CLEANING

Use only a damp doth with neutral liquid detergent.

Do not use wet sponges or cloths, water jets, thinners, solvents, hydrochloric acid, bleach, alcohol or abrasive substances.

MAINTENACE

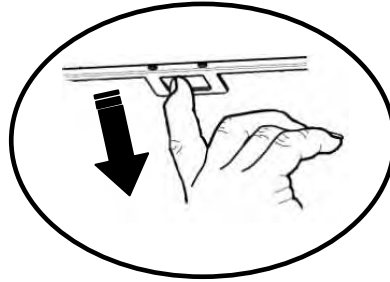
Unplug the appliance or switch off the circuit breaker before carrying out maintenance operations.

Filters:

METALLIC ANTI-GREASE FILTERS

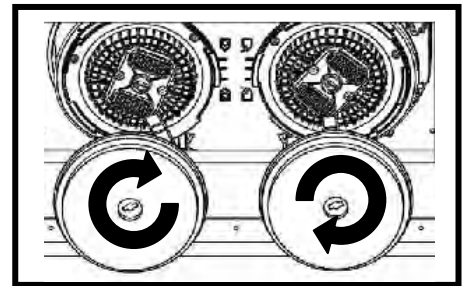
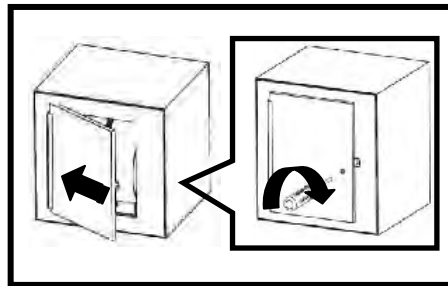
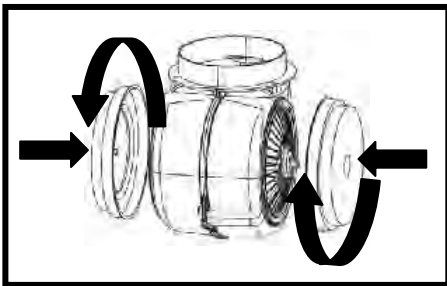
- The filters must be washed at least one a month with hot water and detergent.
- It can also be washed in the dishwasher.

Open by means of the handle.



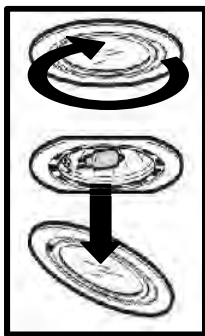
ACTIVATED CARBON FILTERS (Only filtering types)

- Il filtro montato non è rigenerabile e quindi deve essere sostituito almeno ogni due mesi.

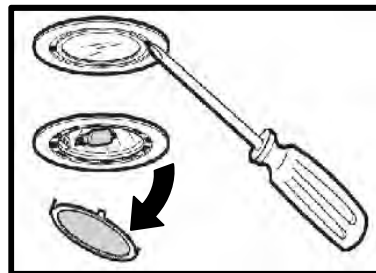


Lighting:

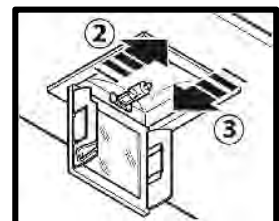
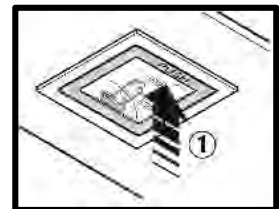
A



B



C



3011000018300

