



LUXAIRTM
EXTRACTION WITH ATTRACTION

LA-GALAXY

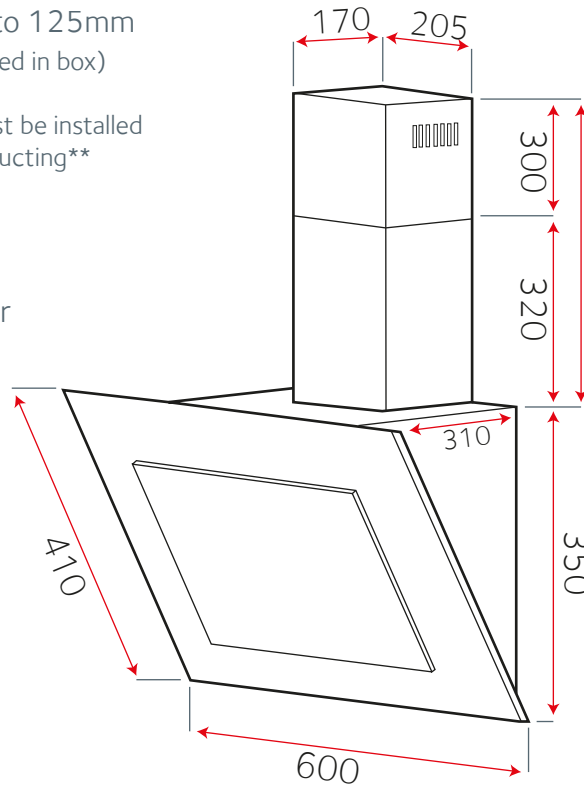
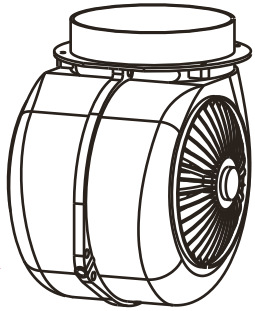


Reducer Collar reduces the motor exhaust from 150mm to 125mm if required (Already supplied in box)

Please note this hood must be installed on a minimum of 125mm Ducting



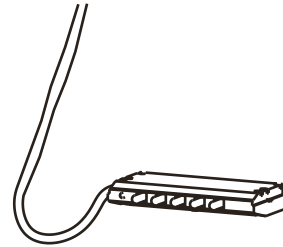
Spare Motor 480 m³/hr
- Fits Models 60cm



Min - 440
Max - 620

Replacement Switch

Please Contact Luxair For More Details As This Is A New Type Of Switch



Transformer - 1



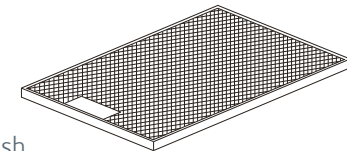
-2x Halogen GU10 Fittings
(All Models)



Mesh Grills (current Models)

LA-60-Galaxy x1 222x250

Please note you must measure your mesh grill size. Older models will have different sizes to current models



2x Charcoal Filter Round 8

(2 Filters Per Pack, 1 either side of Motor)

