



LUXAIRTM
EXTRACTION WITH ATTRACTION

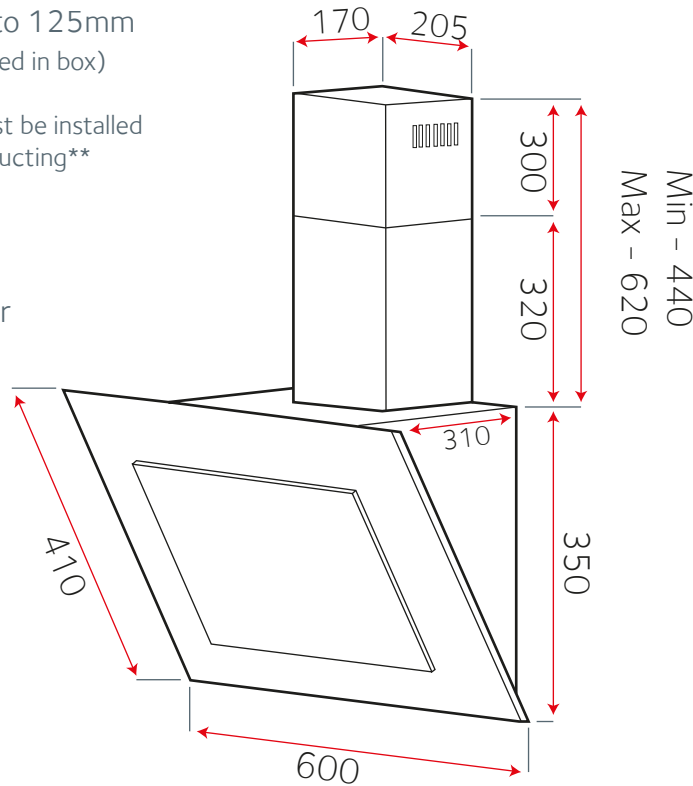
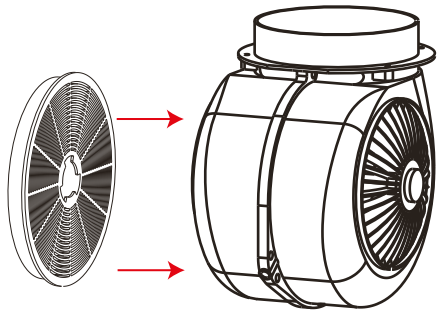
LA-GALAXY



Reducer Collar reduces the motor exhaust from 150mm to 125mm if required (Already supplied in box)

Please note this hood must be installed on a minimum of 125mm Ducting

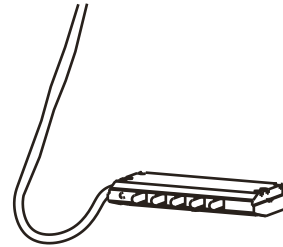
Spare Motor 480 m³/hr
- Fits Models 60cm



Min - 440
Max - 620

Replacement Switch

Please Contact Luxair For More Details As This Is A New Type Of Switch



Transformer - 1



-2x Halogen GU10 Fittings
(All Models)



Mesh Grills (current Models)

LA-60-Galaxy x1 222x250

Please note you must measure your mesh grill size. Older models will have different sizes to current models

