



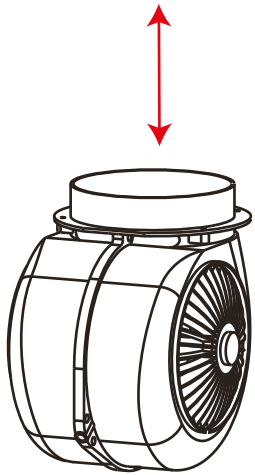
LUXAIR™
EXTRACTION WITH ATTRACTION

LA-ISON

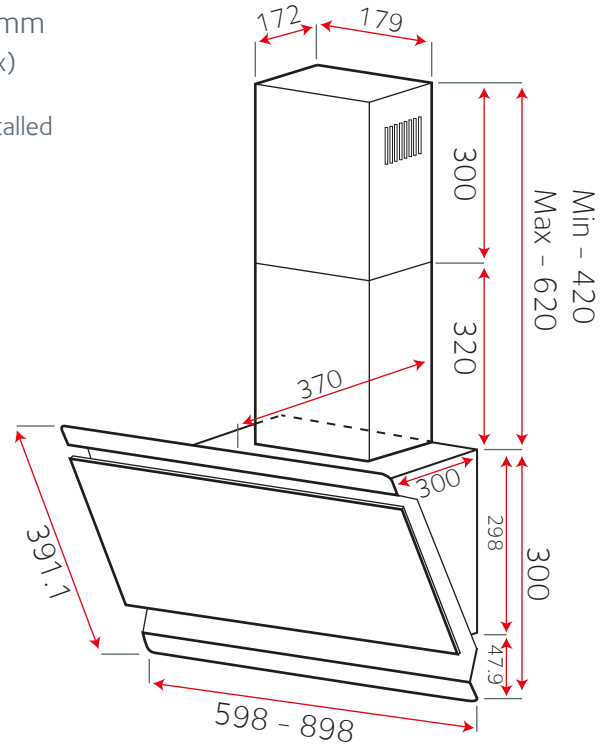


Reducer Collar reduces the motor exhaust from 150mm to 125mm if required (Already supplied in box)

Please note this hood must be installed on a minimum of 125mm Ducting

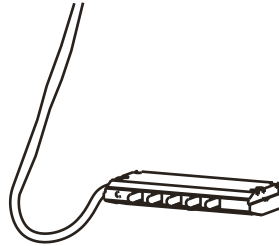


Spare Motor 480 m³/hr
- Fits Models 60cm

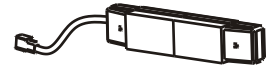


Replacement Switch

Please Contact Luxair For More Details As This Is A New Type Of Switch



Transformer - 1

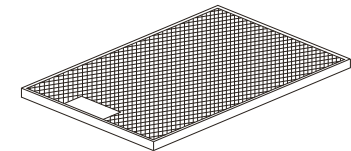


-2x 1.3w LED Lights
(All Models)



Mesh Grills (current Models)

LA-60-Ison x1 222x250
LA-90-Ison x2 222x250



Please note you must measure your mesh grill size. Older models will have different sizes to current models