



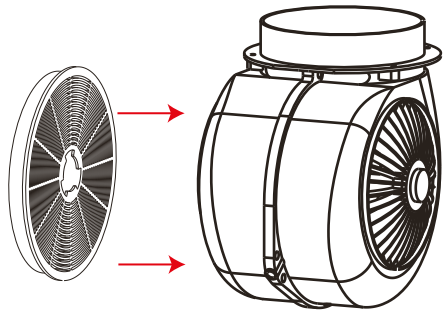
LUXAIR™
EXTRACTION WITH ATTRACTION

LA-TEL

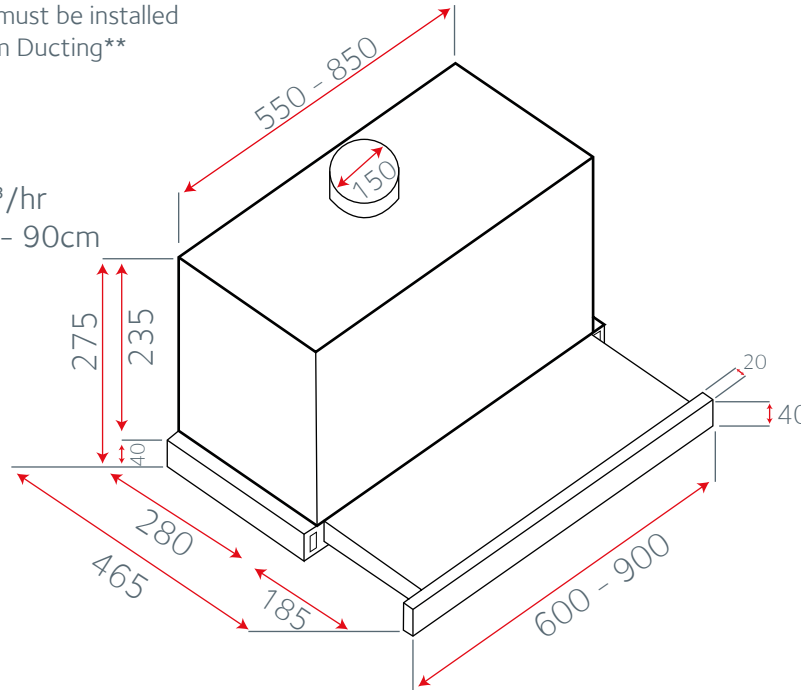


Reducer Collar reduces the motor exhaust from 150mm to 125mm if required (Already supplied in box)

Please note this hood must be installed on a minimum of 125mm Ducting

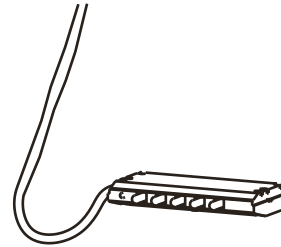


Spare Motor 950 m³/hr
- Fits Models 60cm - 90cm



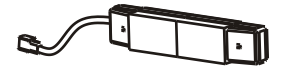
Replacement Switch

Please contact Luxair for further information

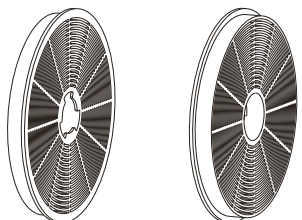


LED Driver

Please contact Luxair for more information



- 2x 3w LED Light Fittings



2x Charcoal Filter 5

(2 Filters Per Pack, 1 either side of Motor)

Mesh Grills (current Models)

LA-60-TEL-SS 1x 490x202
LA-90-TEL-SS 1x 790x202

Please note you must measure your mesh grill size. Older models will have different sizes to current models

