



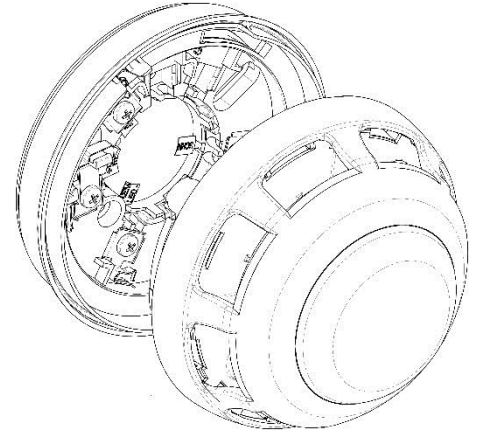
INSTALLATION AND MAINTENANCE INSTRUCTIONS

MAGDUOSH MAGDUO FlexiPoint Detector
MAGDUOSHDS MAGDUO FlexiPoint Detector with Sounder
MAGDUOSHDS MAGDUO FlexiPoint Detector with Sounder and Strobe

https://www.espuk.com/technical_support/product_manuals/?cat=4

General Description

The MAGDUO FlexiPoint is a plug-in type smoke detector that utilises a photo-electric sensing chamber to make a measurement corresponding to smoke density. The device also incorporates a thermistor sensing circuit to allow for accurate heat measurement. These elements allow the device to be configured to a smoke, heat or combined setting. This device is only compatible with the MAGDUO control panels (and their associated detection and alarm equipment) and may also incorporate a sounder beacon (ignore all references to sounders/beacons if your device has no sounder/beacon).



Before Installation

The detector must be installed in compliance with the control panel installation manual. The installation must also meet the requirements of any local authority. For maximum performance the detector should be installed in compliance with BS5839-1:2017.

Spacing

It is recommended spacing detectors in accordance with BS5839-1:2017. Due to the effects of IR and possible magnetic interference, detectors should not be fitted any closer than 500mm (preferably 1000mm) to a light fitting or any other source of IR or EMI. In addition to this recommendation the device should be mounted so that the indication LED is facing towards the light fitting. For more specific information regarding detector spacing, placement and special applications please refer to BS5839-1:2017.

Note: As with other optical detectors, this device should not be located where subjected to high levels or pulses of light or infra red light, as this may cause false alarms or faults.

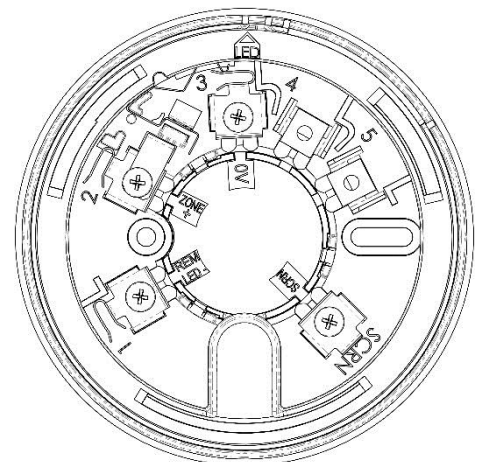
Detector Installation

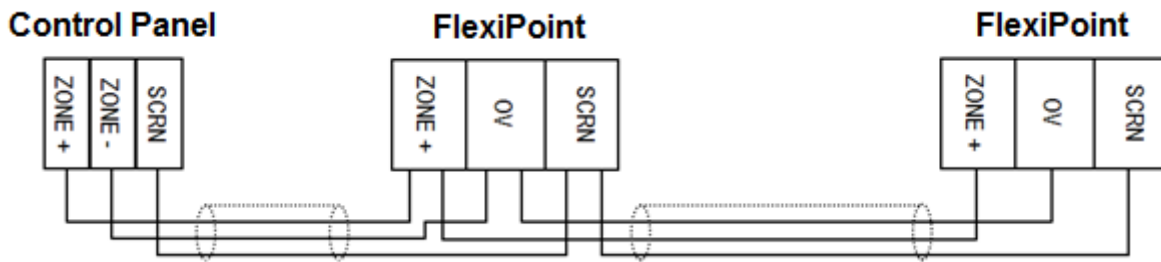
All wiring must be installed in compliance with the recommendations laid out by BS5839-1:2017 as well as any special recommendations documented in the control panel installation manual. The cabling used should be of a 2-core 1.5mm² screened, fire resistant type (e.g. FP200 equivalent), and is to be wired in the form of a screened 2-core radial circuit (with no spurs) from the control panel, terminating at the last ("End of Line") device.

Fix the detector base in a suitable horizontal position using the two screw slots provided, remembering to allow enough cable length for termination. You may then terminate your cables directly into the terminal block according to the terminal labels. It is important to maintain the screen continuity in order to protect against data corruption from interference.

Connections

Terminal	Description
1	REM LED – Remote LED 0V (-VE)
2	ZONE + Zone In/Out +VE and Remote LED +VE
3	0V Zone In/Out 0V
4	Not Fitted N/A
5	Not Fitted N/A
SCRN	SCRN Screen





MAGDUO FlexiPoint Detectors can be mixed on the same zone as other types of MAGDUO device (e.g. MAGDUO Call-points).

The above diagram shows how to make the zone positive, zone negative and screen connections between the control panel and MAGDUO FlexiPoint Detectors. Refer to the instruction leaflets supplied with other MAGDUO devices for their equivalent wiring/terminal labelling details.

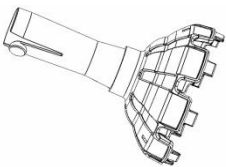
Please note that the SCRNM terminal on the detector bases should only be connected to the zone cable screen and NOT to the building earth. The cable screen is connected to earth at the panel end only, via the zone "SCRNM" terminal. It is important to maintain the screen continuity in order to protect against data corruption from interference.

Please remember that all high voltage testing must be carried out before the installation of the detector base or electronics, as this will cause damage (a small electronics module is also present in base). Once all testing has been carried out on the cabling and 'continuity & integrity' has been proven, the detection base & head may be fitted. Before fitting the detector head program the device settings via the on-board DIL switches, remembering to set the EOL for the last device.

Remember that the device at the end of the line must have its EOL signal activated using the relevant DIL switch. Do not use a resistor or capacitor (or another manufacturer's End of Line device) as the end of line, as this may prevent correct operation of the zone.

To install the detection head, locate the pins and gently twist until the unit locks in place.

Tamper Resistance and Head Removal



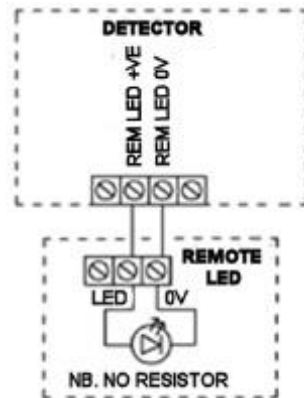
The FlexiPoint detector incorporates a tamper resistant locking mechanism that prevents its removal from the base without the use of a special tool. To remove the device, the tool should be attached over the detector and turned anti-clockwise allowing the detector to be removed from the base.

Remote Indicator

The remote LED terminals ('Remote LED + / -') may be used to connect a separate LED. The LED functions are as follows:

- 5ms every 5 seconds: End of Line
- 5ms every 1.3 seconds: Fault
- 350ms every 0.7 seconds: Fire detected by detector
- Continuous: Fire detected by detector and processed at panel
- 100uS pulse every 20seconds in standby (2 pulses if set to heat)

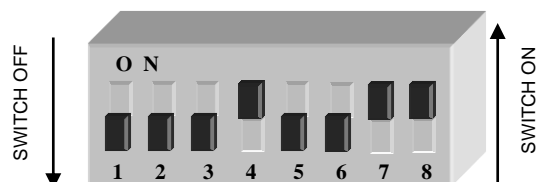
Note that the LED does not require a resistor.



DIL Switch Settings

The detector DIL switches may be used to program the operation of the FlexiPoint Detector. They may be altered when the device is removed from the base. If a heat detection mode is selected then use the 'HEAT' labels supplied to label the base of the detector clearly.

The last device on the circuit must have the EOL signal enabled (switch number 1 in the 'ON' position).



		DIL SWITCH SETTINGS							
		1	2	3	4	5	6	7	8
EOL Signal	Disabled (no end of line signal)	OFF							
	Enabled	ON							
Detection Mode	Disabled (no detection)			OFF	OFF	OFF			
	Smoke 1 – Standard optical with high thermal enhancement			ON	OFF	OFF			
	Smoke 2 – Standard optical with normal thermal enhancement			OFF	ON	OFF			
	Smoke 3** – Low sensitivity optical with transient rejection			ON	ON	OFF			
	Heat 1 – Rate of Rise 58°C, general use in normal, stable environments (Class A1)			ON	OFF	ON			
Heat 2 –	Low fixed 58°C, Domestic kitchens etc (Class A1)			OFF	ON	ON			
	Heat 3 – Hi Fixed 90°C, Commercial kitchens, boiler rooms (Class C)			ON	ON	ON			
	Smoke 2 / Heat 2 Combined			OFF	OFF	ON			
Logical Link	Logical link disabled		OFF						
	Logical link enabled		ON						
Sound Pattern	Disabled (no sound)						OFF	OFF	
	Sound 1 (Continuous tone at 970 Hz)						ON	OFF	
	Sound 2 (Alternating tone at 800/970 Hz)						OFF	ON	
	Sound 3 (Sweep up tone at 800 to 970 Hz)						ON	ON	
Sounder vol	Low								OFF
	High								ON

** Not Approved to EN54-7.

Power Up

The FlexiPoint detector requires approximately one minute on power up to boot up its processor and settle down to normal operation. Do not test the detector during this time. Ensure that the Detector Head is already installed when the system is powered up otherwise a fault condition will be present.

Head Contamination Warnings

If a smoke detector becomes dusty, its operation is affected, either making it more prone to false alarms, or in rare cases reducing its sensitivity. The FlexiPoint LED will flash once approximately every 1.3 seconds. At the control panel (V3 panel), the common 'Fault' LED will flash, the buzzer will sound and the relevant 'Zone Fault' LED will flash at approximately twice the rate of the buzzer. On the MAGDUO panel, the common 'Fault' LED will be on, the buzzer will sound and the system indication 'zone LED will flash at approximately twice the rate of the buzzer. The display will indicate FAULT 00x OF 00x & Z0x: Zone description and fault type.

Replacing Contaminated Optical Chambers

The optical chamber within the detector is not user serviceable. When an optical chamber becomes contaminated we recommend replacing the detector. Cleaning an old chamber is not possible with this device as it is a sealed unit. It is essential that the location of the contaminated device is verified using the device LED which will flash once approximately every 1.3 seconds.

Beacon Operation (Not EN54-23 Compliant)

FlexiPoint may also incorporate a sounder or beacon (ignore all references to sounders / beacons if your device has no sounder / beacon). If the unit includes a Beacon this consists of a number of high output LEDs mounted beneath a diffusing lens at the lowest part of the detector.

The beacon will start to operate when the device receives a command to activate its sounder, even if the sound pattern is set to **SP0 - Sounder off**. Thus, it is possible for the beacon to provide a discrete warning by setting the sound pattern to SP0.

Testing

We recommend the use of suitable smoke test equipment such as the 'No Climb' SOLO 300 tester or an equivalent product. Due to the fact that the smoke detection modes are all 'thermally enhanced', it may be noticeable that on test the devices respond more slowly than may be expected. This is perfectly normal and is due to the fact that during test there is no additional heat present to cause the sensitivity to be enhanced.

Smoke mode 3 requires that the concentration of smoke is kept up for a longer period to trigger the device into alarm, so patience is required. Small regular applications of test smoke are best in order to avoid drenching the detector as this may result in sticky residues being left behind.

Technical Data

Dimensions107mm diameter x 75mm
Operating temperature-10°C to +50°C
Operating Voltage Range18V to 32V DC
Operating Current	Quiescent 101 uA (Typical)
	End of line ON if applicable +50 uA (Typical)
(no strobe version)	Alarm Sounding – Sounder High 8.00 mA (Typical)
	Alarm Sounding – Sounder Low 2.50 mA (Typical)
	Alarm Sounding – Sounder Off 150 uA (Typical)
	Alarm Activated 15.50 mA (Typical)
	<i>(in addition to Alarm Sounding)</i>
(strobe version)	Alarm Sounding – Sounder High 10.50 mA (Typical)
	Alarm Sounding – Sounder Low 4.90 mA (Typical)
	Alarm Sounding – Sounder Off 2.60 mA (Typical)
	Alarm Activated 18.00 mA (Typical)
	<i>(in addition to Alarm Sounding)</i>
LED Operation	Detector in Normal State (Smoke) Flash at 20 second intervals
	Detector in Normal State (Heat) Double flash at 20 second intervals
	Detector at EOL Flash at 5 second intervals
	Detector in Fault Flash at 1.3 second intervals
	Detector Detecting Fire Flash at 0.7 second intervals
	Detector in Fire (once processed at panel) Continuous
Loading Units	
	Max Loading Units per zone 160 DLU
(no strobe version)	Sounder High 8.0 DLU
	Sounder Low 6.5 DLU
	No Sounder 1.0 DLU
(strobe version)	Sounder High 16.0 DLU
	Sounder Low 8.0 DLU
	No Sounder 8.0 DLU
Volume Level	Sounder High 90+ dB(A) (For more information on sound output
(@ 1m anechoic, Dual Tone)	Sounder Low 70+ dB(A) contact ESP)
Flammability UL94-V2
IP Rating IP 21C
Part Codes	No Sounder MAGDUOSH D
	With Sounder MAGDUOSH D S
	With Sounder and Strobe MAGDUOSH D S S

Technical Support

Due to the complexity and inherent importance of a life risk type system, training on this equipment is essential, and commissioning should only be carried out by competent persons. ESP cannot guarantee the operation of any equipment unless all documented instructions are complied with, without variation. This unit complies with the EMC directive.

ESP's policy is one of continual improvement and the right to change a specification at any time without notice is reserved. Whilst every care has been taken to ensure that the contents of this document are correct at time of publication, ESP shall be under no liability whatsoever in respect of such contents. E&OE.

 0832	
Elite Security Products LTD Unit 7 Target Park, Shawbank Road, Lakeside, Redditch, B98 8YN England 14 DoP-MAGDUOSH D-01, DoP-MAGDUOSH D S-01, DoP-MAGDUOSH D S S-01	
EN54-3: 2001 +A1: 2002 +A2: 2006, EN54-5 : 2000 +A1: 2002, EN54-7: 2000 +A1: 2002 +A2: 2006, Sounder Technical Data See: 26-1649	
Intended for use in the fire detection and fire alarm Systems in and around buildings	
Essential characteristics	Performance
Nominal activation conditions / Sensitivity, Response delay (response time) and Performance under fire conditions	Pass
Operational reliability	Pass
Tolerance to supply voltage	Pass
Durability of operational reliability and response delay, Temperature resistance	Pass
Durability of operational reliability, Vibration resistance	Pass
Durability of operational reliability, Humidity resistance	Pass
Durability of operational reliability, Corrosion resistance	Pass
Durability of operational reliability, Electrical stability	Pass
Durability of operational reliability, Resistance to ingress	Pass