

PRODUCT CODE: THB300
TOP HAT BRACKET

DESCRIPTION

300mm Top Hat Bracket

FINISH

Steel

MATERIAL

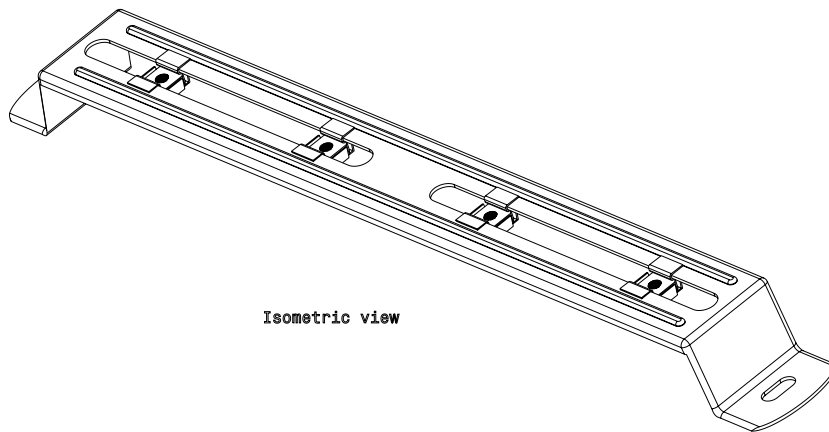
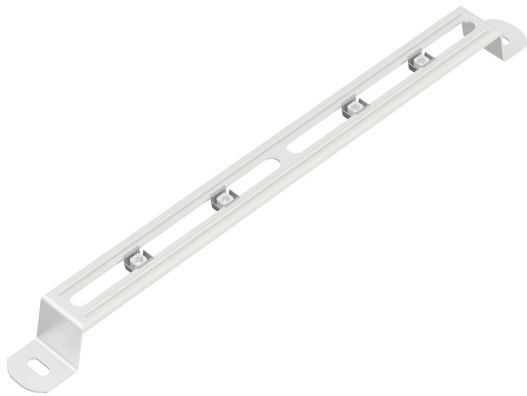
BZP

PACKAGING

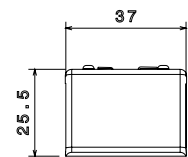
Packed in qty 20

ADDITIONAL NOTES

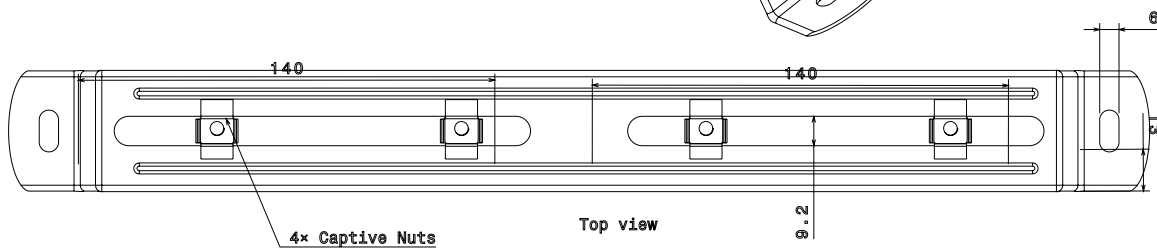
Comprises; 2 x slot and 4 x M6 captive nut
Compliant to LU Standard 1-085 (for use on surface & sub-surface locations)



Isometric view

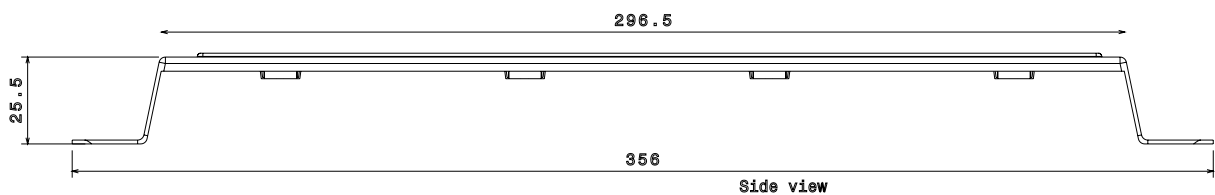


Front view



4x Captive Nuts

Top view



Side view