

Mod. 1133 ATLANTICO DOOR PHONES

Electronic call Atlantico door phones model 1133 are suitable for use in "4+n" and "1+1" system types.

Characteristics of Atlantico door phones are:

- Innovative, simple, essential design by Michele De Lucchi.
- Telephone-like handset wires and connectors.
- Telephone-like handset hook switch arranged in the lower part of the top.
- Electronic call to speaker which doubles as the voice signal and call signal transducer.
- Condenser (electret) microphone.

Atlantico door phones are only white and can be either wall or tabletop mounted (order the specific tabletop transformation kit with socket for this purpose).

The following versions of the door phone are provided:

For "4+n" wire systems

- Door phone with door opener button only **Ref. 1133**
- Door phone with 1 additional button (set-up for 2 additional buttons) **Ref. 1133/1**
- Door phone with button on handset **Ref. 1133/10**
- Door phone with 2 LEDs, 1 switch and 1 button **Ref. 1133/20**

For "1+1" wire systems

- Door phone with 1 additional button **Ref. 1133/35A**

Note: Atlantico door phones can be fitted in parallel in video door phone systems. In this case, "4+n" wire system door phones should be used in coax systems and "1+1" wire door phones should be used in 5 wire video door phone systems.

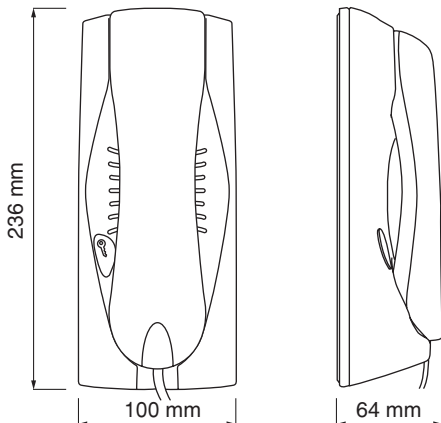
TECHNICAL SPECIFICATIONS

Characteristics of Atlantico door phones are:

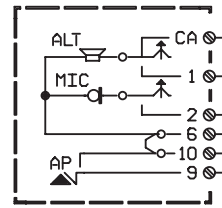
- Plastic finishing (white ABS): glossy button, embossed other parts.
- White rubber, round cross-section spiral cord with telephone plug on base on door phone.
- Dedicated button for door opener function.
- Fixed carriage terminal fitted on basic printed circuit.
- Top clipped onto base without screws.
- Handset hook system with tong in upper part of top and housing in lower part.

"4+N" WIRE SYSTEM DOOR PHONES

HOUSE PHONE WITH ONLY ONE DOOR RELEASE KEY Ref. 1133

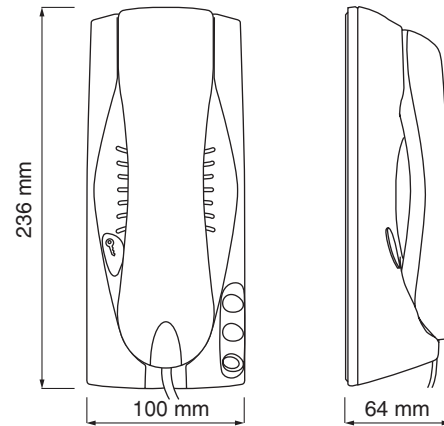


The basic house phone **Ref. 1133** is supplied pre-engineered for connection with the outdoor station and is equipped with a single door release key: it is not possible to add other keys.

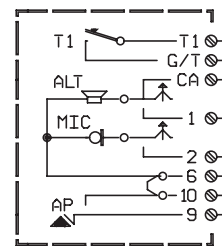


- 1 Door phone speaker signal
- CA Door phone call signal
- 2 Door phone microphone signal
- 6 } Power ground
- 10 }
- 9 Door opener control

HOUSE PHONE WITH 1 EXTRA KEY (PLUS 2 ADDITIONAL KEYS) Ref. 1133/1



The **Ref. 1133/1** house phones have the same characteristics as the basic phone. They differ from this in that an extra key (in addition obviously to the lock release key) is standard on this house phone. The house phone is pre-engineered for addition of up to 2 additional keys. (Ref. 1133/55 set of 10 additional buttons). The keys are independent and can be used for various auxiliary services (for example: switching on of the stair lights, opening of the secondary entrance electric lock, opening of the main entrance electric lock) or as call keys in intercom systems. In alternative to the 3 keys you can install the mute kit + led (Ref. 1133/56)

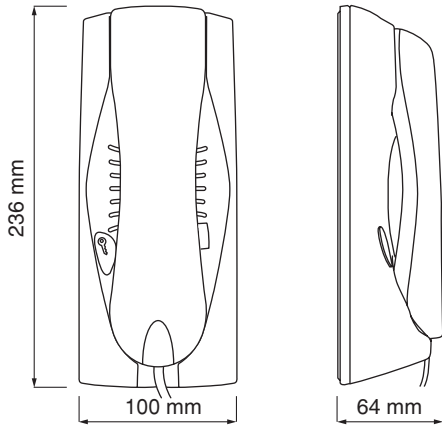


- T1 Additional button (standard)
- G/T Button common
- 1 Door phone speaker signal
- CA Door phone call signal
- 2 Door phone microphone signal
- 6 } Power ground
- 10 }
- 9 Door opener control

Mod. 1133 ATLANTICO DOOR PHONES

"1+1" WIRE SYSTEM DOOR PHONES

HOUSE PHONE WITH INSERTION KEY ON THE HANDSET Ref. 1133/10

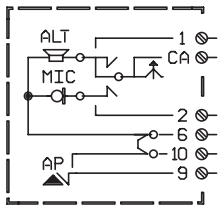


The house phone **Ref. 1133/10** has the same features as Ref.1133. The only difference is the key on the handset. This key connects the speech wires and must be held pressed for the entire duration of the conversation.

In the systems where these house phones are installed, the handset can remain unhooked without affecting the other house phones.

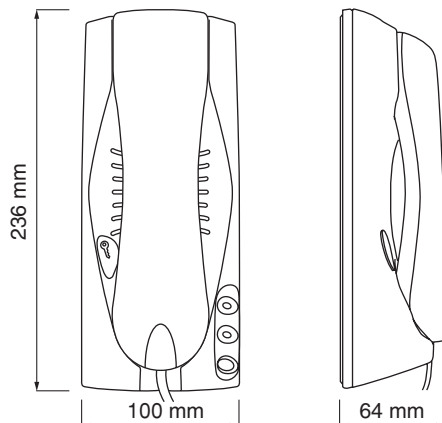
A door phone left off hook cannot receive call signals. This problem can be solved by inserting an additional speaker Ref. 9854/54 or additional ringer.

The 1133/10 door phone may be used only in door phone systems.



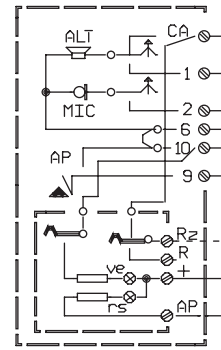
	1	Door phone speaker signal with on button
	CA	Door phone call signal
	2	Door phone microphone signal with on button
	6 } Power ground	
	9	Door opener control

HOUSE PHONE WITH 2 LEDS, 1 SWITCH Ref. 1133/20



The house phones **Ref. 1133/20** with 2 leds and 1 switch are used to provide the following services:

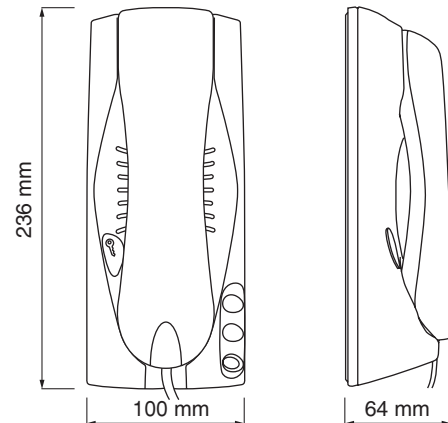
- possibility of cutting off the call sound ("privacy" condition);
- checking that the main door is open (with warning light);
- simultaneous door opening just pressing the call button (helpful, for example, for doctors' offices during visiting hours).



	1	Door phone speaker signal
	CA	Call signal to door phone speaker (without on switch)
	2	Door phone microphone signal
	6 } Power ground	
	9	Door opener control
	Rz	Call signal from panel
	R	Door opener direct from call button (only with switch at off and presence of relay Ref. 788/21: see diagram SC101-0289)
	+	LEDs power positive
	AP	Door open control

"1+1" WIRE SYSTEM DOOR PHONES

Ref. 1133/35A DOOR PHONE WITH 1 ADDITIONAL BUTTON



"1+1" wire system door phones **Ref. 1133/35A** offer conversation privacy, call and door opener functions in normal door phone systems with only 2 wires in the riser column:
1 common + 1 single for each device.

Ref. 1133/35A door phones are equipped with one additional button (in addition to the door opener button) already fitted and set-up for installation of up to 2 additional buttons (Ref. 1133/55 set of 10 additional buttons).

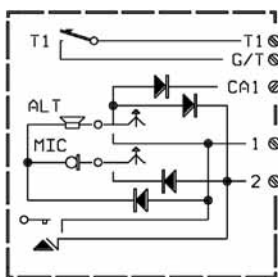
The buttons are reciprocally independent and may be used to implement auxiliary services, e.g.: staircase lights, secondary electrical lock opener, etc.

Specific conversation privacy circuits must be fitted in the panel for ensuring conversation privacy for all door phones in the system.

All door phones are normally deactivated (no sound is heard when the handset is picked up); only the device called from the door can start the conversation. No other users can cut into the call.

The voice circuit of the called door phone remains activate until the following call is made from the panel to another device.

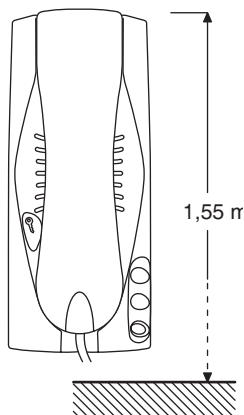
The door opening function is connected to conversation privacy; this means that a user must be called to be able to open the electrical lock.



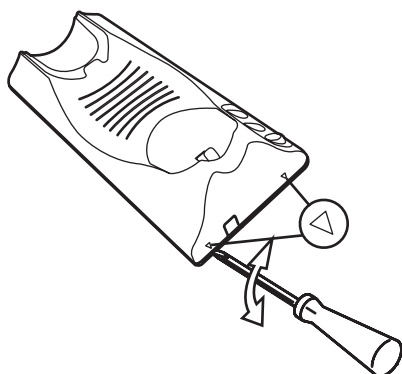
- T1 Additional button (standard)
- G/T Button common
- CA1 Terminal for floor call button
- 1 Ground
- 2 Call, voice and door opener signal

INSTALLATION

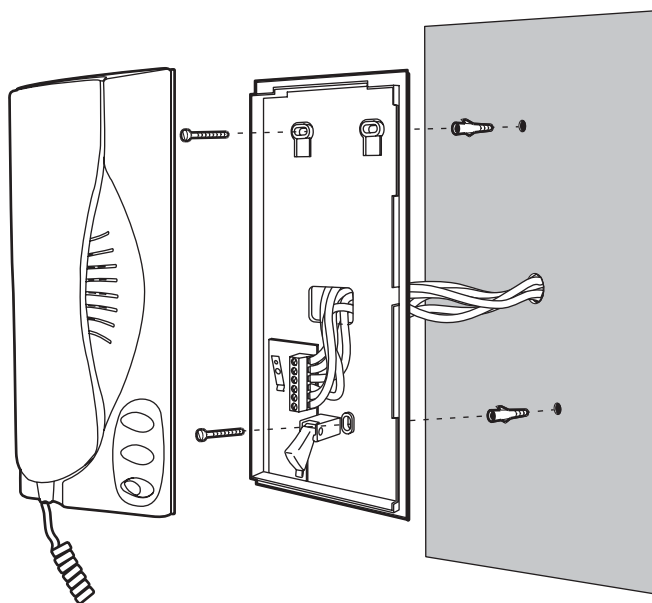
WALL VERSION



To remove the cover of the house phone, insert the tip of a screwdriver in the area indicated and apply pressure. Extract the cover rotating this on the upper tabs.



The house phone can be fitted on the wall using the different holes on the base and the special plugs and screws provided with each set.

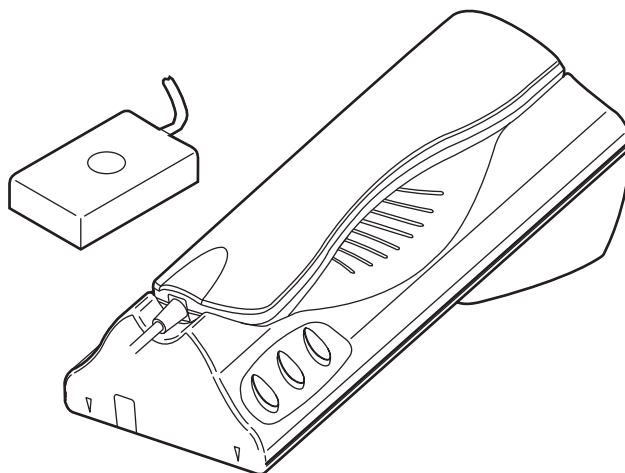


Refit the door phone top after installation.



TABLETOP VERSION

The Mod. 1133 door phone may be tabletop mounted. For this purpose, purchase a specific tabletop transformation kit Ref. 1133/50 with socket.

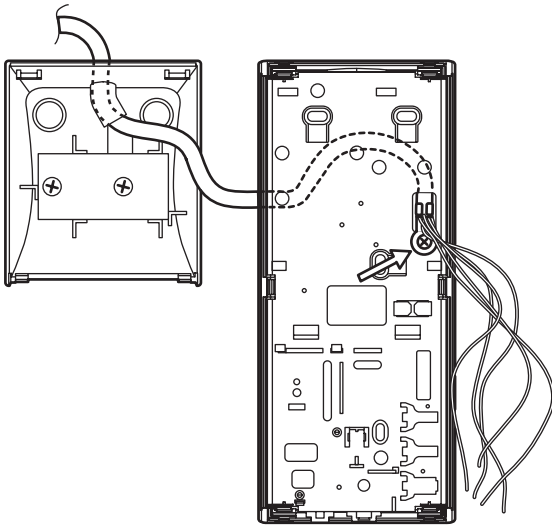


Mod. 1133 ATLANTICO DOOR PHONES

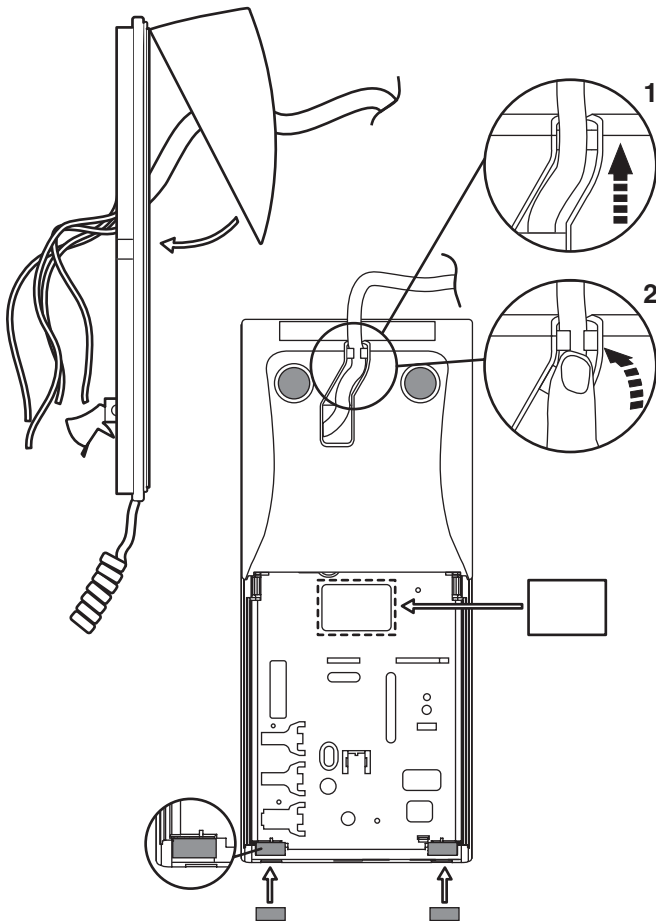
ATLANTICO DOOR PHONE ACCESSORIES

Assembly operations:

- Remove the door phone hood.
- Insert the wire through the tabletop stand and the door phone.



- Insert the adhesive rubbers provided under the tabletop stand under the door phone base in the specific housings.
- Apply the tabletop stand to the base of the door phone and arrange the wires in the specific housing.
- Connect the wires to the door phone terminal board.
- Close the door phone hood.
- Connect the system wires to the corresponding socket terminals.



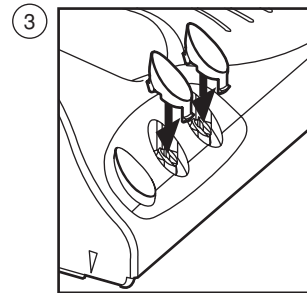
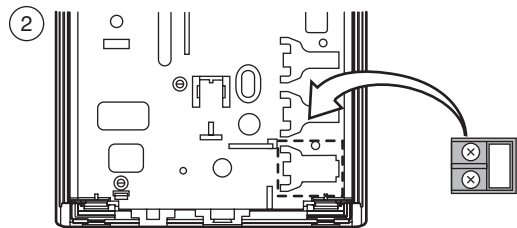
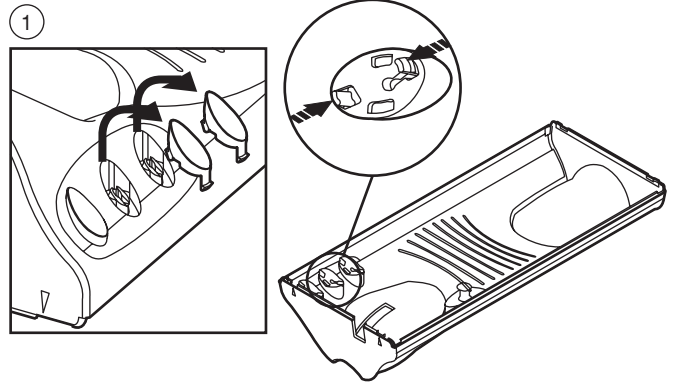
ATLANTICO DOOR PHONE ACCESSORIES

BOX OF ADDITIONAL BUTTONS Ref. 1133/55

The keys are supplied in packing of 10.

To fit the additional key on standard house phones Ref. 1133/1, proceed as follows:

1. remove the imitation key cover on the house phone cover at the position where the additional key is required to be fitted. This is done by pressing the two holding tabs on the cover and pushing outwards;
2. press the key on the house phone base;
3. fit the new key cover on the house phone cover.



MUTE KIT + LED Ref. 1133/56

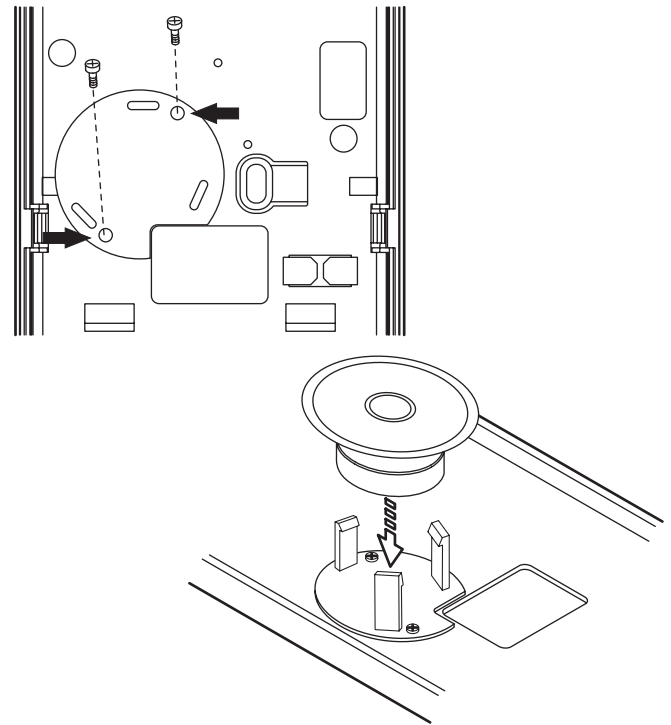
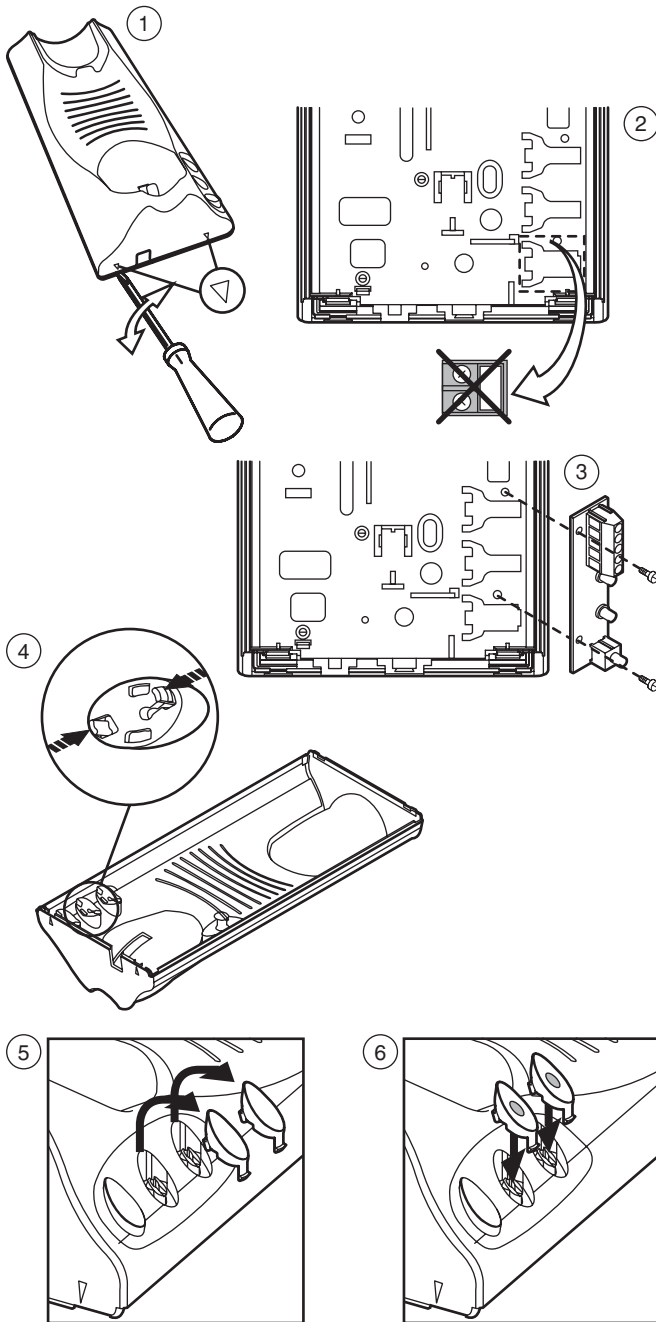
The Ref. 1133/56 accessory makes it possible to provide the following services:

- possibility of bypassing the call tone (privacy condition) with indication of de-activation with green light.
- checking that the main door is open with red light.

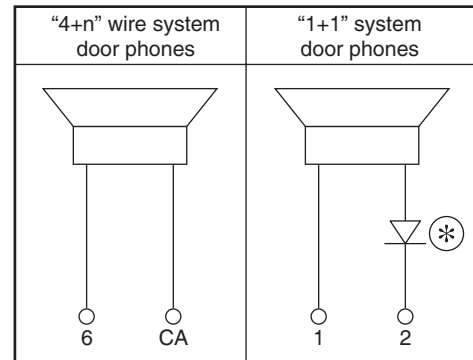
The accessory is inserted inside the house phone with 1 key Ref. 1133/1, occupying the space of 3 keys.

For assembly proceed follows:

1. Remove the door phone hood.
2. Remove the additional button body.
3. Screw the printed circuit to the base in the position selected.
4. Remove the three covers of the dummy keys corresponding to those on the cover.
5. Position the key and the two covers for the lights provided with the kit in the order indicated.
6. Make the connections according to the instructions of the installation diagrams.



For electrical connections, proceed differently according to the type of door phone:



* Provided with the product

ADDITIONAL SPEAKER Ref. 9854/54

This device may be used in 1133 electronic call door phones both as the main call speaker (in parallel to that fitted in the handset if the volume is too low) and as dedicated speaker for floor calls. This accessory can be fitted in all Atlantico door phone versions also in the presence of other call devices, such as electronic buzzers Ref. 9854/52, three-tone gong kit Ref. 1132/54 or additional floor call circuit Ref. 9854/53.

Important note: When several door phones are installed in parallel, consider that each door phone with additional speaker connected between terminals CA and 6 counts as a double load for the tone generator (two speakers in parallel).

For door phone assembly, firstly fasten the base with the two screws provided and then apply the speaker as shown in the figure.

ACCESSORY BOARD

Atlantico 1133 door phones, in addition to the accessories listed in the previous section, can be equipped with the following devices (described in the "Apartment station accessories" section).

- 12 wire socket **Ref. 1130/12**
- 19 wire socket **Ref. 1130/19**
- Traditional call system adapter **Ref. 1131/7**
- Call adjustment kit **Ref. 1132/53**
- Three-tone gong kit **Ref. 1132/54**
- Additional outdoor ringer **Ref. 9854/40**
- Additional electronic call ringer **Ref. 9854/41**
- Three-tone additional ringer **Ref. 9854/42**
- 12 Vac door phone electronic buzzer **Ref. 9854/52**
- Additional floor call device **Ref. 9854/53**
- Additional speaker **Ref. 9854/54**