

**QUEM1W**



**Interchangeable module covers**

Quinetic Euro Modular Switches are designed to seamlessly fit into existing Euro module plates and are available in a variety of finishes. Interchangeable covers (sold separately) can be easily installed or removed from the base Quinetic Euro Module (QUEM1W).

This push-button, self-powered switch incorporates a Micro Energy Acquisition (MEA) module, which converts mechanical energy into electricity to power its RF chipset. It can be used with the standard or with the dimming Quinetic receiving controllers.

### **No Wiring. No Battery. Easy Installation and Usage.**

The Euro module switch can be used from a maximum 20m indoors. There is no longer a need to make holes or channel out for switch lines in the wall if you use the Quinetic wireless switch. The Quinetic Euro module switch is safe, convenient and extremely simple to install and use.

### **Collection of Micro Mechanical Energy**

Micro energy acquisition (MEA) module constantly generates energy, thus eliminating the need for a battery or mains power supply.



Press switch to produce kinetic energy.



Internal module collects kinetic energy.



Kinetic energy is converted into electricity.



Communication module transmits signal.



Receiver controls the light.



Self Powered



No Radiation



No Maintenance



No Wiring



Durable



Cost Saving

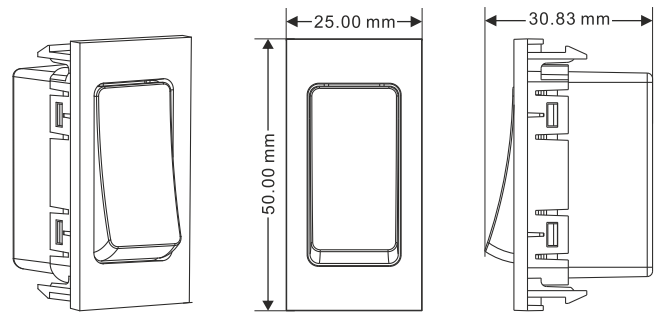


# Quinetic Wireless Euro Modular Switch

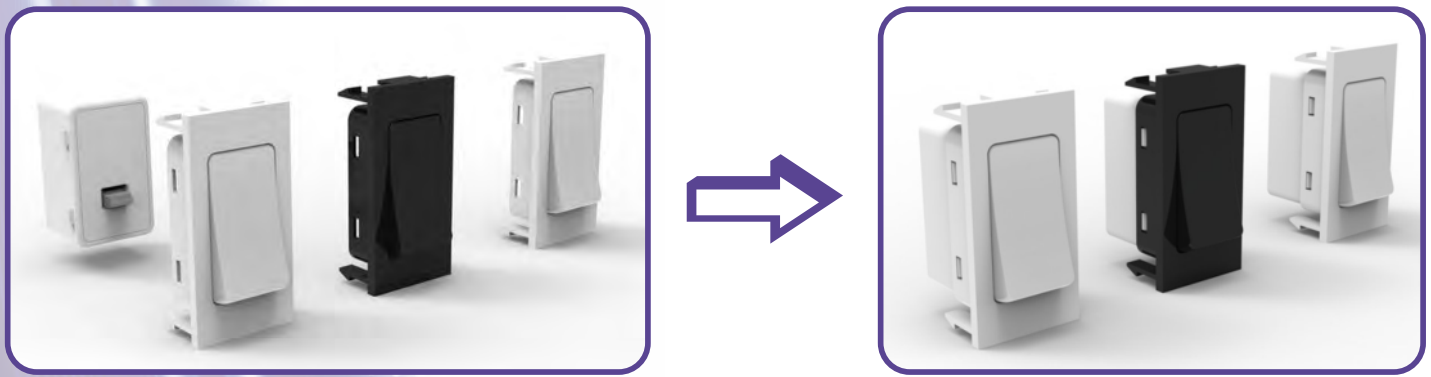
## Quinetic Wireless Euro Module Switch Specifications:

- Work Type:** Push Button
- Power Source:** Micro Energy Acquisition and self-powered (no battery required)
- Communication Model:** FSK
- Work Frequency:** 433Hz
- Number of Keys:** 1 (1 gang)
- Work Environment Temperature:** -20°C ~ 55°C
- Control Distance:** 80m (Outdoor) / 20m (indoor)
- Life Time:** 100,000 times on/off
- Weight:** 26g
- Control Method:** Pairing with Quinetic Wireless Controller
- Compatible with Euro Module Plates**
- 3 Year Warranty**

## Dimensions:



## Euro Module Switch Clip-on Covers:



## Available covers for Euro Module Switch (sold separately):



## Quinetic Controller Wireless Systems

The wireless Quinetic Euro switch and wireless receiving controller can be paired with any combination: a controller can be controlled by a maximum of 10 separate switches, a switch can pair an unlimited number of controllers.