



QURLHBC Quinetic RF & WiFi BC Lamp Holder Adapter

The QURLHBC Lamp Holder Adapter is a B22 bayonet cap smart lighting control solution designed to upgrade existing installations with minimal effort. Compatible with standard UK B22 lamp holders, it enables a seamless retrofit without the need for rewiring or replacing existing fittings. The device incorporates 433 MHz RF control, allowing battery-free wireless switching via Quinetic kinetic switches. Designed for plug-and-play, tool-free installation, the compact unit fits easily into luminaires with limited space, making it suitable for both professional and DIY use.

The adapter features Wi-Fi connectivity, enabling remote control via the "Quinetic" mobile App with support for scheduling, timer functions, and scene automation, as well as integration with voice control platforms such as Amazon Alexa and Google Home.

Well suited for environments requiring fast, non-invasive installation, such as residential properties, care homes, rental accommodations, and construction sites.

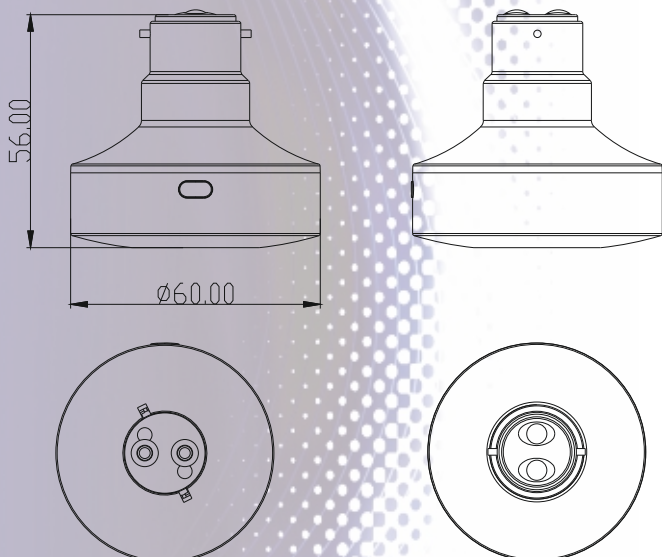
QURLHBC- Quinetic 6 Lamp Holder Adapter Specifications:

- Power Input:** AC 100-240V 50/60Hz
- Maximum Load:** 30W LED
60W Other Loads
- Control method:** **WiFi** through Phone APP
(search "Quinetic" APP in store)
RF pairing with Quinetic Wireless Switch
- Pairing Capacity:** Up to 10 Quinetic switches
- Non-Dimmable**
- Colour:** White
- Input Connection:** B22 Male
- Output Connection:** B22 Female
- Housing:** High Flame Retardant PC Plastic (UI94 V-0 Grade)
- IP Rating:** IP20
- Dimensions:** Ø60mm x H56mm
- Installation Method:** Plug and Play
- Working Temperature:** -20°C - +55°C
- Storage Temperature:** -20°C - +55°C
- Control Distance:** 50m (Outdoor), 25m (Indoor)
- Warranty:** 3 Years

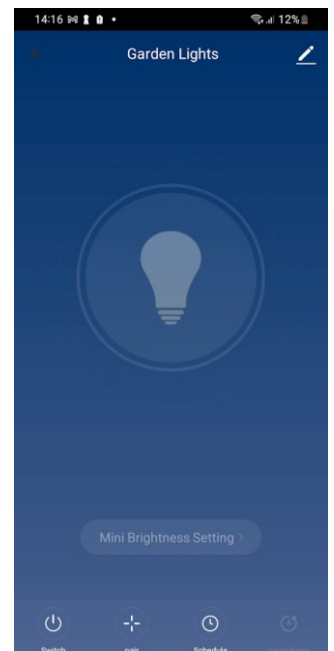
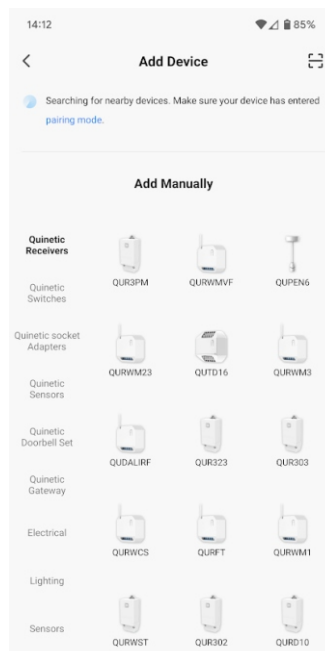
ConfigPro Compatible



Product Dimensions:



WiFi Controls:

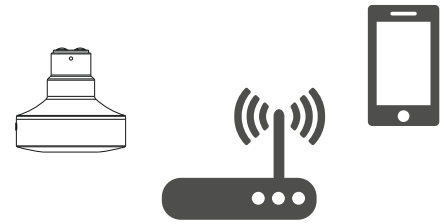




WiFi Smart Lamp Holder Controls:

The Quinetic APP can be used to pair the Quinetic switches to the WiFi Lamp Holder to turn the lights ON/OFF. In order to add the smart lamp holder to the phone APP the phone and the lamp holder must use the same wireless router and a 2.4Ghz network.

Search **Quinetic** application on your AppStore or Android Market and download and install it on your iOS device (iPhone, iPad) or on your Android device.



Amazon ALEXA / Google Home compatible:



The WiFi Quinetic lamp holder can be controlled by Amazon Alexa or Google Home APP - just add the skill "Quinetic" to Alexa/Google APP and then discover the device in your "Smart Home".



Google HOME

Voice control can be used in Alexa/Google APP: "Alexa/Google, turn on/off bedroom light"

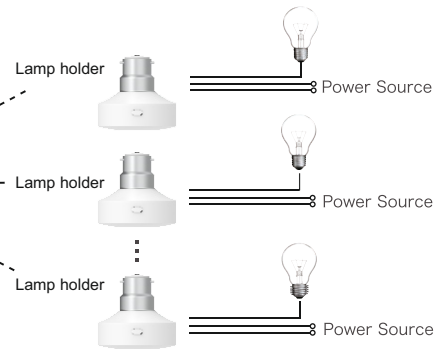
Quinetic Wireless Systems

The wireless Quinetic energy switch and wireless smart lamp holder can be paired with any combination: a lamp holder can be controlled by a maximum of 10 separate switches, a switch can pair an unlimited number of lamp holders.

1-Way Wireless System

Single-Multi-Control

Quinetic Wireless Switch



2-Way Wireless System

Dual Control

Quinetic Wireless Switch 1



Quinetic Wireless Switch 2



3-Way Wireless System

Multi-Single-Control

Quinetic Wireless Switch 1



Quinetic Wireless Switch 2



Quinetic Wireless Switch 10

