



QURW6

Quinetic 6 Channel Receiving Controller

The Quinetic QURW6 6-Channel Receiving Controller is a wireless control interface designed for flexible switching of lighting and electrical loads in residential and commercial applications. Operating via RF 433MHz and 2.4GHz Wi-Fi, it enables integration between wireless Quinetic switches and app-based control. The unit provides six independent output channels (four wet contact and two dry contact), supporting a wide range of control requirements. It incorporates multiple pairing modes, scene functionality, and bridging capability to ensure reliable operation across extended distances and complex installations.

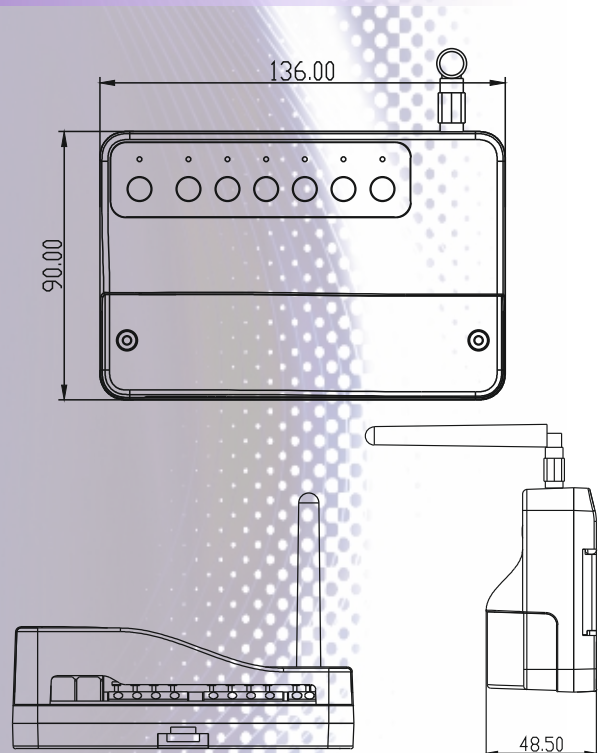
Applications include multi-zone lighting control, HVAC and heating switching, relay interfacing for automation systems, retrofit wireless switching, and smart scene-based control of multiple devices within residential, commercial, and light industrial environments. Designed for dependable performance, the QURW6 offers a scalable and energy-efficient solution for modern smart control systems.

QURW6 - Quinetic 6 Channel Receiving Controller Specifications:

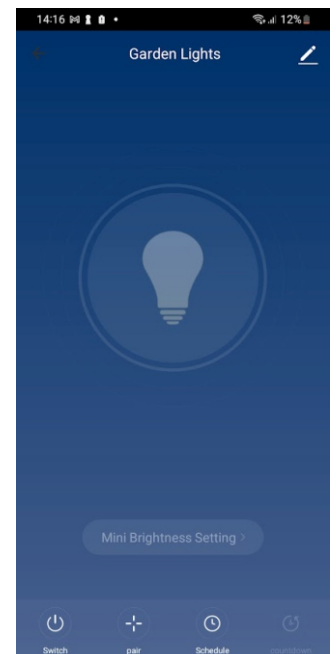
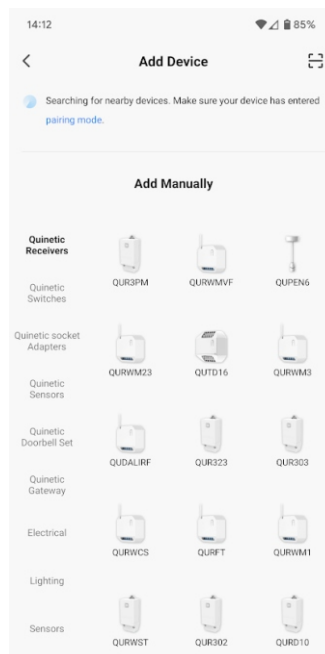
- Operating Voltage:** AC 100-240V 50/60Hz
- Maximum Load:** 16A*2 & 10A*4
- Output Channel:** 4 channel wet contact, 2 channel dry contact
- Working Frequency:** RF 433MHz & WiFi 2.4GHz
- Control method:** WiFi through Phone APP
(search "Quinetic" APP in store)
RF pairing with Quinetic Wireless Switch
- Pairing Capacity:** Up to 10 Quinetic switches/channel
- Dimming:** Non Dimmable
- Colour:** Black
- Power Supply Method:** Neutral & Live Line
- Wiring Method:** Push in Terminal
- Dimensions:** L136mm x W90mm x H48.5mm
- Receiving Sensitivity:** -110dBm
- Standby Power:** <0.6W
- IP Rating:** IP20
- Working Temperature:** -20°C - +55°C
- Control Distance:** 50m (Outdoor), 30m (Indoor)
- Installation:** Surface or DIN Rail mounted
- Warranty:** 3 Years



Product Dimensions:

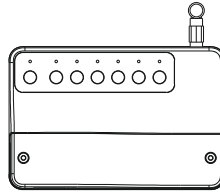


WiFi Controls:



WiFi Smart Receiver controls:

The Quinetic APP can be used to pair the Quinetic switches to the WiFi 6 channel controller to turn the lights ON/OFF. In order to add the smart controller to the phone APP the phone and the controller must use the same wireless router and a 2.4Ghz network.



Search **Quinetic** application on your AppStore or Android Market and download and install it on your iOS device (iPhone, iPad) or on your Android device.

Amazon ALEXA / Google Home compatible:

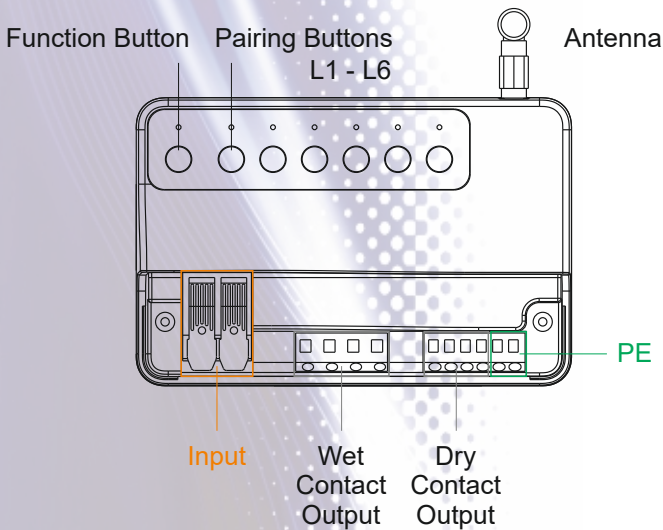
The WiFi Quinetic pendant can be controlled by Amazon Alexa or Google Home APP - just add the skill "Quinetic" to Alexa/Google APP and then discover the device in your "Smart Home".



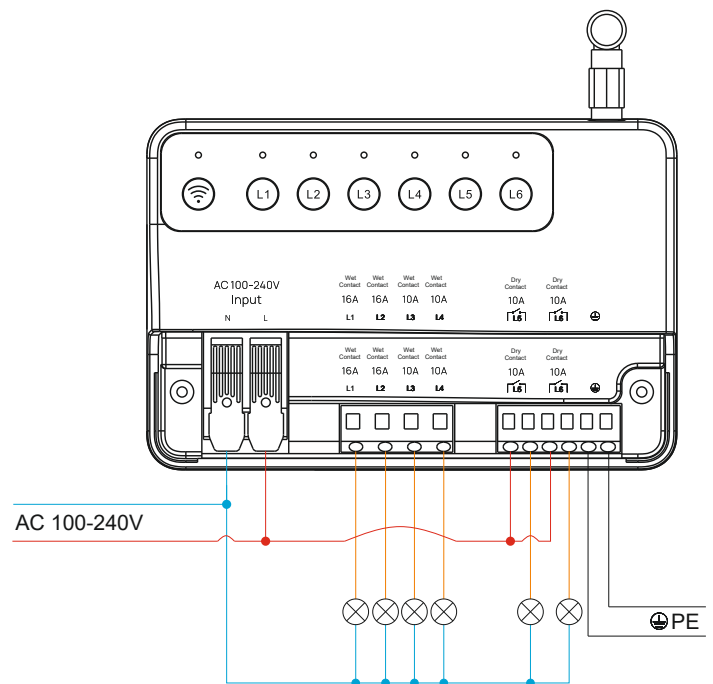
Google HOME



Voice control can be used in Alexa/Google APP: "Alexa/Google, turn on/off bedroom light"



Wiring Diagram:



| Output Channel | Interface Type | Max Current |
|----------------|----------------|-------------|
| L1 | Wet Contact | 16A |
| L2 | Wet Contact | 16A |
| L3 | Wet Contact | 10A |
| L4 | Wet Contact | 10A |
| L5 | Dry Contact | 10A |
| L6 | Dry Contact | 10A |