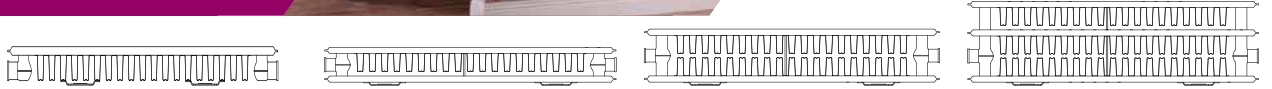


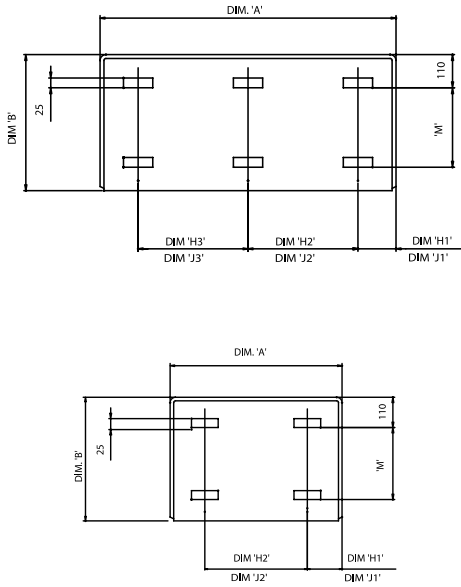
Compact Heat Outputs

Steel Panel Radiator with detachable grilles & side panels



Nominal Height	Length		Single Convector			Double Panel Plus			Double Convector			Triple Convector		
	mm	inch	Code	Watts	BTU/hr	Code	Watts	BTU/hr	Code	Watts	BTU/hr	Code	Watts	BTU/hr
300mm 12"	500	20	Q11305KD	280	956	-	-	-	Q22305KD	548	1869	-	-	-
	600	24	Q11306KD	336	1147	-	-	-	Q22306KD	657	2242	-	-	-
	800	28	-	-	-	-	-	-	-	-	-	Q33308KD	1273	4344
	1000	39	Q11310KD	560	1911	-	-	-	Q22310KD	1095	3737	Q33310KD	1591	5430
	1200	47	-	-	-	-	-	-	-	-	-	Q33312KD	1909	6516
	1400	55	Q11314KD	784	2676	-	-	-	Q22314KD	1533	5232	Q33314KD	2227	7602
400mm 16"	1600	63	Q11316KD	896	3058	-	-	-	Q22316KD	1752	5980	Q33316KD	2546	8688
	500	20	Q11405KD	365	1244	Q21405KD	521	1778	Q22405KD	695	2372	-	-	-
	600	24	Q11406KD	437	1493	Q21406KD	625	2132	Q22406KD	834	2846	-	-	-
	700	28	Q11407KD	510	1742	Q21407KD	729	2487	Q22407KD	973	3321	-	-	-
	800	31	Q11408KD	583	1990	Q21408KD	833	2842	Q22408KD	1112	3795	Q33408KD	1615	5513
	900	35	Q11409KD	656	2239	Q21409KD	937	3198	Q22409KD	1251	4270	-	-	-
	1000	39	Q11410KD	729	2488	Q21410KD	1041	3553	Q22410KD	1390	4744	Q33410KD	2019	6891
	1100	43	Q11411KD	802	2737	Q21411KD	1145	3908	Q22411KD	1529	5218	-	-	-
	1200	47	Q11412KD	875	2986	Q21412KD	1249	4264	Q22412KD	1668	5693	Q33412KD	2423	8269
	1400	55	Q11414KD	1021	3483	Q21414KD	1457	4974	Q22414KD	1946	6642	Q33414KD	2827	9647
500mm 20"	1600	63	Q11416KD	1166	3981	Q21416KD	1666	5685	Q22416KD	2224	7591	Q33416KD	3230	11025
	1800	71	Q11418KD	1312	4479	Q21418KD	1874	6395	Q22418KD	2502	8539	Q33418KD	3634	12404
	2000	79	Q11420KD	1458	4976	-	-	-	Q22420KD	2780	9488	Q33420KD	4038	13782
	300	12	Q11503KD	266	906	-	-	-	Q22503KD	499	1702	-	-	-
	400	16	Q11504KD	354	1208	-	-	-	Q22504KD	665	2269	-	-	-
	500	20	Q11505KD	443	1510	Q21505KD	620	2114	Q22505KD	831	2836	-	-	-
	600	24	Q11506KD	531	1812	Q21506KD	743	2537	Q22506KD	997	3403	Q33506KD	1444	4929
	700	28	Q11507KD	620	2114	Q21507KD	867	2960	Q22507KD	1163	3971	Q33507KD	1685	5751
	800	31	Q11508KD	708	2416	Q21508KD	991	3383	Q22508KD	1330	4538	Q33508KD	1926	6572
	900	35	Q11509KD	797	2718	Q21509KD	1115	3806	Q22509KD	1496	5105	Q33509KD	2166	7394
600mm 24"	1000	39	Q11510KD	885	3021	Q21510KD	1239	4229	Q22510KD	1662	5672	Q33510KD	2407	8215
	1100	43	Q11511KD	974	3323	Q21511KD	1363	4652	Q22511KD	1828	6240	Q33511KD	2648	9037
	1200	47	Q11512KD	1062	3625	Q21512KD	1487	5074	Q22512KD	1994	6807	Q33512KD	2888	9858
	1400	55	Q11514KD	1239	4229	Q21514KD	1735	5920	Q22514KD	2327	7941	Q33514KD	3370	11501
	1600	63	Q11516KD	1416	4833	Q21516KD	1982	6766	Q22516KD	2659	9076	Q33516KD	3851	13144
	1800	71	Q11518KD	1593	5437	-	-	-	Q22518KD	2992	10210	Q33518KD	4333	14787
	2000	79	Q11520KD	1770	6041	-	-	-	Q22520KD	3324	11345	Q33520KD	4814	16430
	300	12	Q11603KD	309	1056	-	-	-	Q22603KD	574	1960	-	-	-
	400	16	Q11604KD	412	1408	-	-	-	Q22604KD	766	2613	-	-	-
	700mm 28"	500	20	Q11605KD	516	1759	Q21605KD	713	2432	Q22605KD	957	3266	-	-
600		24	Q11606KD	619	2111	Q21606KD	855	2918	Q22606KD	1148	3919	Q33606KD	1654	5646
700		28	Q11607KD	722	2463	Q21607KD	998	3404	Q22607KD	1340	4573	Q33607KD	1930	6587
800		31	Q11608KD	825	2815	Q21608KD	1140	3891	Q22608KD	1531	5226	Q33608KD	2206	7528
900		35	Q11609KD	928	3167	Q21609KD	1283	4377	Q22609KD	1723	5879	Q33609KD	2481	8469
1000		39	Q11610KD	1031	3519	Q21610KD	1425	4864	Q22610KD	1914	6532	Q33610KD	2757	9410
1100		43	Q11611KD	1134	3871	Q21611KD	1568	5350	Q22611KD	2105	7186	Q33611KD	3033	10351
1200		47	Q11612KD	1237	4223	Q21612KD	1710	5836	Q22612KD	2297	7839	Q33612KD	3308	11292
1400		55	Q11614KD	1443	4926	Q21614KD	1995	6809	Q22614KD	2680	9145	Q33614KD	3860	13173
1600		63	Q11616KD	1650	5630	Q21616KD	2280	7782	Q22616KD	3062	10452	Q33616KD	4411	15055
900mm 36"	1800	71	Q11618KD	1856	6334	-	-	-	Q22618KD	3445	11758	Q33618KD	4963	16937
	2000	79	Q11620KD	2062	7038	-	-	-	Q22620KD	3828	13065	Q33620KD	5514	18819
	400	16	Q11704KD	466	1592	Q21704KD	640	2186	Q22704KD	860	2934	-	-	-
	500	20	Q11705KD	583	1990	Q21705KD	801	2732	Q22705KD	1075	3667	Q33705KD	1537	5244
	600	24	Q11706KD	700	2388	Q21706KD	961	3279	Q22706KD	1289	4401	Q33706KD	1844	6293
	700	28	Q11707KD	816	2786	Q21707KD	1121	3825	Q22707KD	1504	5134	Q33707KD	2151	7342
	800	31	Q11708KD	933	3184	Q21708KD	1281	4371	Q22708KD	1719	5868	Q33708KD	2458	8391
	900	35	Q11709KD	1049	3582	Q21709KD	1441	4918	Q22709KD	1934	6601	Q33709KD	2766	9439
	1000	39	Q11710KD	1166	3980	Q21710KD	1601	5464	Q22710KD	2149	7335	Q33710KD	3073	10488
	1100	43	Q11711KD	1283	4378	Q21711KD	1761	6011	Q22711KD	2364	8068	Q33711KD	3380	11537
900mm 36"	1200	47	Q11712KD	1399	4775	Q21712KD	1921	6557	Q22712KD	2579	8801	Q33712KD	3688	12586
	1400	55	Q11714KD	1632	5571	Q21714KD	2241	7650	Q22714KD	3009	10268	Q33714KD	4302	14683
	1600	63	Q11716KD	1866	6367	Q21716KD	2562	8743	Q22716KD	3438	11735	Q33716KD	4917	16781
	400	16	-	-	-	-	-	-	-	-	Q33904KD	1445	4931	
	500	20	-	-	-	-	-	-	-	-	Q33905KD	1806	6164	
	600	24	-	-	-	-	-	-	-	-	Q33906KD	2167	7397	
	700	28	-	-	-	-	-	-	-	-	Q33907KD	2528	8629	
	800	31	-	-	-	-	-	-	-	-	Q33908KD	2890	9862	
900	35	-	-	-	-	-	-	-	-	Q33909KD	3251	11095		
1000	39	-	-	-	-	-	-	-	-	Q33910KD	3612	12328		
1100	43	-	-	-	-	-	-	-	-	Q33911KD	3973	13561		
1200	47	-	-	-	-	-	-	-	-	Q33912KD	4334	14793		
1400	55	-	-	-	-	-	-	-	-	Q33914KD	5057	17259		
1600	63	-	-	-	-	-	-	-	-	Q33916KD	5779	19724		

Round Top, Compact and Compla Bracket Locations



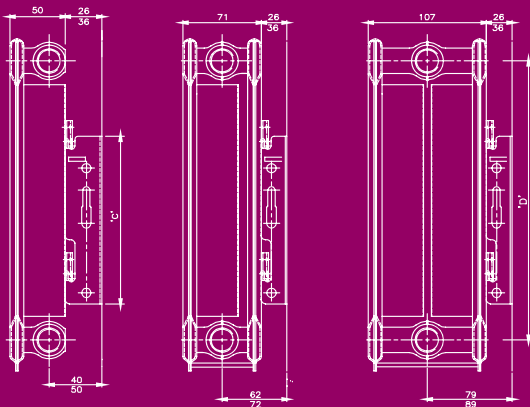
Bracket Lug heights					
B	300	400	500	600	700
M	105	205	305	405	505

Note: Dimensions H1, H2 and H3 refer to the lugs on Double Panel Plus and Double Convactor radiators. Dimensions J1, J2 and J3 refer to the lugs on Single Convactor Radiators.

Radiator Length (mm)															
	400	500	600	700	800	900	1000	1100	1200	1300	1400	1500	1600	1800	2000

Bracket Lug Locations															
A	395	495	595	695	795	895	995	1095	1195	1295	1395	1495	1595	1795	1995
J1	122.5	122.5	122.5	122.5	122.5	122.5	122.5	122.5	122.5	122.5	122.5	122.5	122.5	122.5	122.5
J1	135	160	160	160	160	160	160	160	160	160	160	160	160	160	160
H2	150	250	350	450	550	650	750	850	950	1050	1150	1250	1350	775	875
J2	125	175	275	375	475	575	675	775	875	975	1075	1175	1275	750	850
H3	-	-	-	-	-	-	-	-	-	-	-	-	-	775	875
J3	-	-	-	-	-	-	-	-	-	-	-	-	-	725	825
Qty	4	4	4	4	4	4	4	4	4	4	4	6	4	4	6

Mounting Details for Round Top

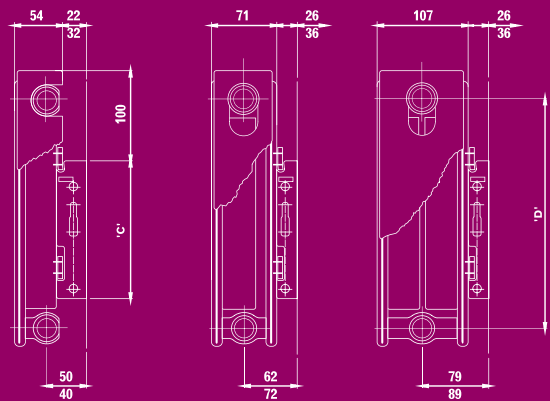


Single Convactor

Double Panel Plus

Double Convactor

Mounting Details for Compact & Compla



Single Convactor

Double Panel Plus

Double Convactor

B	300	400	500	600	700	900
D	253	353	453	553	653	853
C	137	237	337	437	537	737

B	300	400	500	600	700	900
D	253	353	453	553	653	853
C	137	237	337	437	537	737

General Specifications - All Radiators

MATERIALS

All Quinn radiators are manufactured from high quality cold-rolled steel with a nominal thickness of 1.2mm.

FINISH

Every Quinn radiator undergoes an intensive pre-treatment process to protect against rust. The radiators are then finished with Epoxy Polyester Powder paint similar to RAL 9016 which may be over painted if required.

PACKAGING

Every radiator is protected top and bottom over the whole length and height with heavy cardboard box ends and packed in shrink wrapped polythene.

CONNECTIONS

Each radiator is manufactured with four 1/2" BSP TBOE connections.

BRACKETS

All radiators in the range are supplied with two or more brackets depending on the length.

BRACKET LUGS

Two pairs of lugs are fitted on radiators up to and including 1600mm long. A third pair of lugs is fitted centrally on radiators 1800mm long and over.

TAPPING-TO-TAPPING DIMENSIONS

All tapping-to-tapping dimensions may be obtained by subtracting 5mm (1/4") from the nominal radiator/emitter length (accurate to +2mm).

INSTALLATION

For indirect systems or closed circuits only at a working pressure not exceeding 10 bar.

OUTPUTS

Radiators manufactured and tested in accordance with BS EN 442.

WATER TREATMENT

It is strongly recommended on completion of the installation, the system should be properly flushed and filled-in accordance with the British Standard Code of-Practice for the Treatment of Water in Domestic Hot Water Central Heating Systems BS 7593. Use of a corrosion-inhibitor is strongly recommended. Failure to observe this recommendation will invalidate the manufacturer's warranty.

QUALITY

All radiators are manufactured under a BS EN ISO 9001:2008 quality system accepted by BSI.

TESTING

All radiators are individually pressure tested to 13 bar and are suited for a working pressure up to 10 bar.

WARRANTY

All radiators are supplied under warranty for a period of ten years in respect of defective materials or manufacture.

CONVERSION INFORMATION

The outputs quoted in this publication are based on a Delta T of 50°C.

CONDITIONS OF SALE

The Quinn standard conditions of sale apply to all transactions. A copy is available on request.

Please also note that Exponent 'n' for all radiators is 1.3.



Round Top Radiators

Quinn Round Top - Radiator Water Content						
Height	300mm	400mm	500mm	600mm	700mm	900mm
	12"	16"	20"	24"	28"	36"
Litres/Metre						
Single Convector	1.81	2.24	2.67	3.10	3.53	4.40
Double Panel Plus	3.60	4.47	5.33	6.20	7.07	8.80
Double Convector	3.50	4.37	5.23	6.10	7.00	8.80

Quinn Round Top - Radiator Dry Weight						
Height	300mm	400mm	500mm	600mm	700mm	900mm
	12"	16"	20"	24"	28"	36"
Kgs/Metre						
Single Convector	8.53	11.44	14.35	17.26	20.16	25.98
Double Panel Plus	14.33	19.04	23.75	28.47	33.18	42.61
Double Convector	16.92	22.73	28.55	34.36	40.18	51.81

Compact Radiators

Quinn Compact - Radiator Water Content						
Height	300mm	400mm	500mm	600mm	700mm	900mm
	12"	16"	20"	24"	28"	36"
Litres/Metre						
Single Convector	1.81	2.24	2.67	3.10	3.53	4.40
Double Panel Plus	3.60	4.47	5.33	6.20	7.07	8.80
Double Convector	3.50	4.37	5.23	6.10	7.00	8.80
Triple Convector	5.40	6.60	7.80	9.00	10.38	13.14

Quinn Compact - Radiator Dry Weight						
Height	300mm	400mm	500mm	600mm	700mm	900mm
	12"	16"	20"	24"	28"	36"
Kgs/Metre						
Single Convector	9.50	12.52	15.54	18.56	21.58	27.63
Double Panel Plus	15.11	19.92	24.74	29.56	34.38	44.02
Double Convector	18.04	24.00	29.97	35.93	41.90	53.83
Triple Convector	28.10	38.03	47.97	57.90	67.83	81.70

Compla Radiators

Quinn Compla - Radiator Water Content						
Height	300mm	400mm	500mm	600mm	700mm	900mm
	12"	16"	20"	24"	28"	36"
Litres/Metre						
Single Convector	1.81	2.24	2.67	3.10	3.53	4.40
Double Panel Plus	3.60	4.47	5.33	6.20	7.07	8.80
Double Convector	3.50	4.37	5.23	6.10	7.00	8.80
Triple Convector	5.40	6.60	7.80	9.00	10.38	13.14

Quinn Compla - Radiator Dry Weight						
Height	300mm	400mm	500mm	600mm	700mm	900mm
	12"	16"	20"	24"	28"	36"
Kgs/Metre						
Single Convector	10.48	13.50	16.52	19.54	22.56	28.61
Double Panel Plus	16.09	20.90	25.72	30.54	35.36	45.00
Double Convector	19.02	24.98	30.95	36.91	42.88	54.81
Triple Convector	29.08	39.01	48.95	58.88	68.81	86.68

LST Radiators

Quinn Compact - Radiator Water Content	
Please refer to relevant Emitter codes on LST price list and reference Round Top Water Content & Dry Weight tables	

Quinn LST - Radiator Dry Weight	
Please refer to relevant Emitter codes on LST price list and reference Round Top Water Content & Dry Weight tables	