

Diagram 1

How to use your Redring Shower

1. Switch on the electricity.
 2. Turn knob anti-clockwise to position the heater.
 3. Allow 10 seconds for the water temperature to stabilise.
- Remove the rings with an appropriate size screwdriver.
- Before replacing the rings flush out the heater quarterly depending on experience.
- Frequency of cleaning will vary from weekly to monthly depending on water quality. The Redring Cat No. 95-711015 can be used. This cases kettle descaling solution such as brushes in the handset by removing them and rinsing in the handset to regularly clean the unit. These can build up in the grooves of the spray rings. This will reduce the performance of the unit, produce a poor spray pattern and cause water pressure to build up inside the unit.
- Cleaning the spray rings**
- All water contains particles of lime. These can build up in the grooves of the spray rings. This will reduce the performance of the unit, produce a poor spray pattern and cause water pressure to build up inside the unit.
- How to maintain the shower**
4. If the water is too cold turn knob clockwise to reduce the flow of water and continue as above.
 5. If the water is too hot adjust the knob in the opposite direction.
 6. When you have finished showering, turn knob clockwise to 'STOP' position.
 7. If the water is too hot adjust the knob in the opposite direction.
 8. Allow the water temperature to stabilise again and make further adjustments of the knob if necessary.
 9. When you have finished showering, turn knob clockwise to 'STOP' position.
 10. If the water is too hot adjust the knob in the opposite direction.
 11. If the water is too cold turn knob clockwise to reduce the flow of water and continue as above.
 12. If the water is too hot adjust the knob in the opposite direction.
 13. Allow the water temperature to stabilise again and make further adjustments of the knob if necessary.
 14. When you have finished showering, turn knob clockwise to 'STOP' position.
 15. If the water is too hot adjust the knob in the opposite direction.
 16. When you have finished showering, turn knob clockwise to 'STOP' position.
 17. If the water is too hot adjust the knob in the opposite direction.
 18. If the water is too cold turn knob clockwise to reduce the flow of water and continue as above.
 19. If the water is too hot adjust the knob in the opposite direction.
 20. When you have finished showering, turn knob clockwise to 'STOP' position.
 21. If the water is too hot adjust the knob in the opposite direction.
 22. If the water is too cold turn knob clockwise to reduce the flow of water and continue as above.
 23. If the water is too hot adjust the knob in the opposite direction.
 24. When you have finished showering, turn knob clockwise to 'STOP' position.
 25. If the water is too hot adjust the knob in the opposite direction.
 26. If the water is too cold turn knob clockwise to reduce the flow of water and continue as above.
 27. If the water is too hot adjust the knob in the opposite direction.
 28. When you have finished showering, turn knob clockwise to 'STOP' position.
 29. If the water is too hot adjust the knob in the opposite direction.
 30. If the water is too cold turn knob clockwise to reduce the flow of water and continue as above.
 31. If the water is too hot adjust the knob in the opposite direction.
 32. When you have finished showering, turn knob clockwise to 'STOP' position.
 33. If the water is too hot adjust the knob in the opposite direction.
 34. If the water is too cold turn knob clockwise to reduce the flow of water and continue as above.
 35. If the water is too hot adjust the knob in the opposite direction.
 36. When you have finished showering, turn knob clockwise to 'STOP' position.
 37. If the water is too hot adjust the knob in the opposite direction.
 38. If the water is too cold turn knob clockwise to reduce the flow of water and continue as above.
 39. If the water is too hot adjust the knob in the opposite direction.
 40. When you have finished showering, turn knob clockwise to 'STOP' position.
 41. If the water is too hot adjust the knob in the opposite direction.
 42. If the water is too cold turn knob clockwise to reduce the flow of water and continue as above.
 43. If the water is too hot adjust the knob in the opposite direction.
 44. When you have finished showering, turn knob clockwise to 'STOP' position.
 45. If the water is too hot adjust the knob in the opposite direction.
 46. If the water is too cold turn knob clockwise to reduce the flow of water and continue as above.
 47. If the water is too hot adjust the knob in the opposite direction.
 48. When you have finished showering, turn knob clockwise to 'STOP' position.
 49. If the water is too hot adjust the knob in the opposite direction.
 50. If the water is too cold turn knob clockwise to reduce the flow of water and continue as above.

What to do if things go wrong

- WARNING: DO NOT SWITCH THE SHOWER ON IF YOU SUSPECT IT OF BEING FROZEN. WAIT UNTIL YOU ARE SURE THAT IT HAS COMPLETELY THAWED OUT.**
- Also switch off the electricity at the ceiling switch, where this is fitted.
- The person who installed the shower is probably the best one to repair it and is certainly the person to contact if you have a problem in the guarantee period.
- The following additional check list is provided for the benefit of the qualified serviceman.
- WARNING: SWITCH OFF THE ELECTRICITY REMOVING THE COVER TO MAKE CHECKS.**
- Self Help**
- If the performance of the shower does deteriorate in service, make the following checks before calling out the contractor. Any one of these simple adjustments could restore the performance.

a) Water too HOT	Increase water flow Clean spray rings Change blank ring for water supply eg. fully open stop cock. Check hose is not kinked restricting the water flow.
b) Water too COLD	Decrease water flow on by neon. Change grooved ring for blank ring.
c) Spray pattern poor	Clean spray rings. Change grooved ring for blank ring.
d) Shower switches itself on.	Lower handset/riser rail.
e) Water takes longer to heat up	Thermal cut out had operated after previous use.

f) Water goes cold whilst using shower	Check power is on by neon Check water pressure has not fallen so far as to let pressure switch cut out, eg. another tap drawing water off.
g) Broken parts	Redring have a comprehensive spares list. Fitting instructions are provided with spares.
a) Water too COLD	Check circuit through thermal cut out. Check circuit through microswitches on the pressure switch. Check each element circuit. Check tightness of electricity connections.
b) Valve blown	Check for cause of high pressure and remove it. Replace the cylinder assembly or pressure relief disc according to the extent of the damage.

Redring Service

We offer a technical advisory service on the telephone to contractors and other customers. We offer a technical advisory service on the telephone to contractors and other customers.

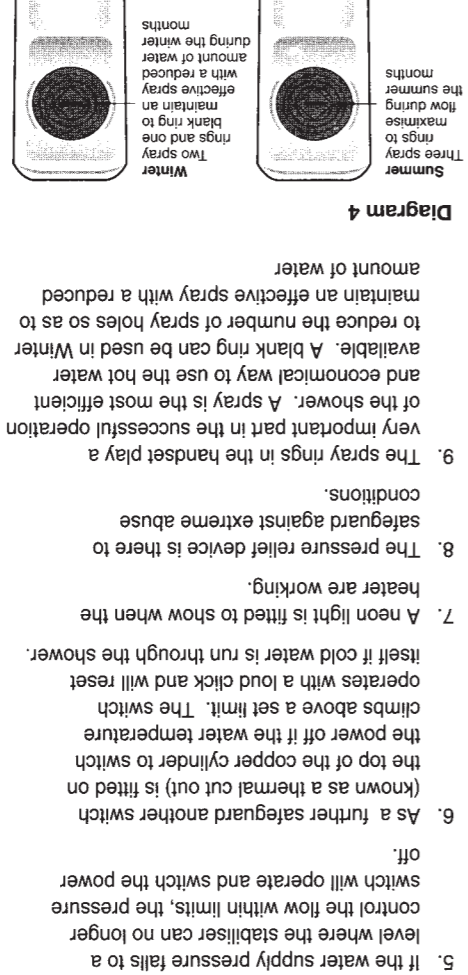
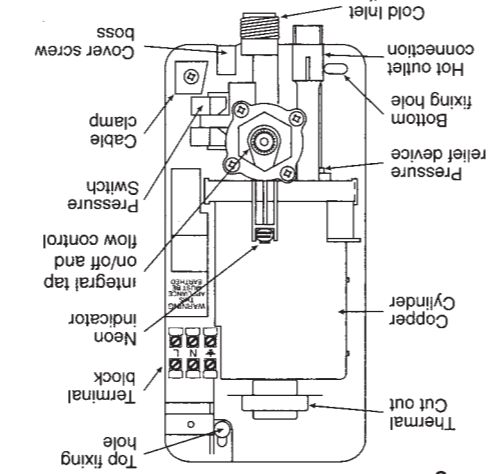
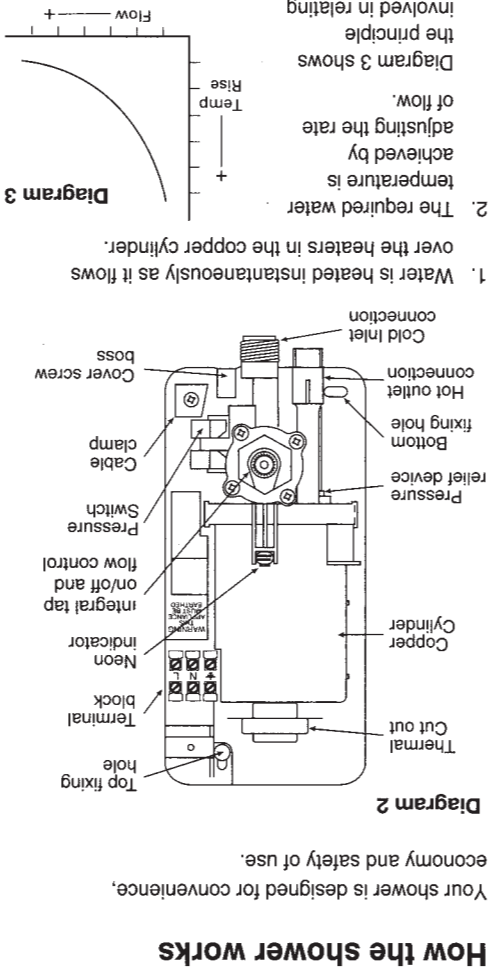
Remember to quote the exact type of shower, as written on the front of the shower.

Ring 08709 000430

Additional Accessories

Cat No. 83-760808 Vacuum Breaker
83-762502 Shower Curtain and Rail
83-762502 Long Hose 2m Chrome
83-792578 2m White Hose
83-792521 Long Riser Rail 1m
83-795838 Hose Retaining Clip
83-590751 Variable Shower Head

Ask your local dealer or ring Redring Sales 08709 000420 for further information



Installation Instructions

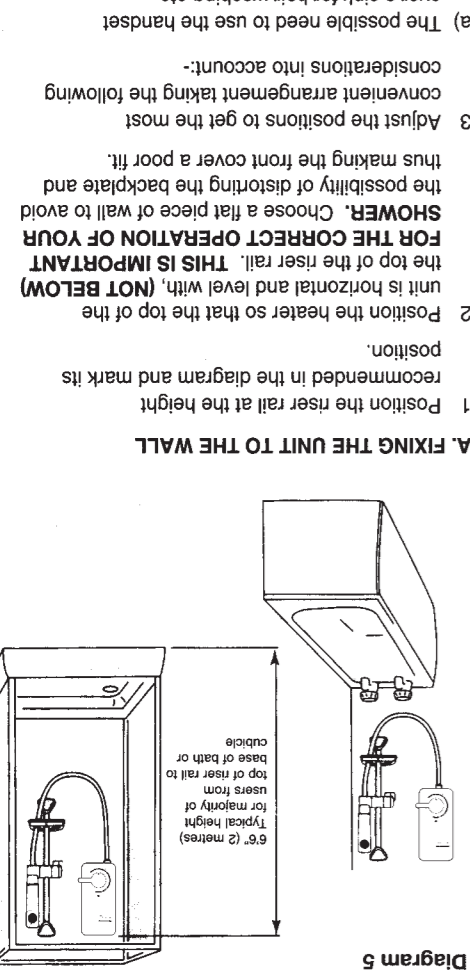
We recommend that the installation is done in the following sequence:-

A. Fixing the Shower to the wall.

B. Plumbing.

C. Electrical Connections.

WARNING: DO NOT INSTALL THE SHOWER IN A ROOM WHERE IT MAY BE SUBJECT TO FREEZING.



How to maintain the shower

All water contains particles of lime. These can build up in the grooves of the spray rings. This will reduce the performance of the unit, produce a poor spray pattern and cause water pressure to build up inside the unit.

Cleaning the spray rings

Before replacing the rings flush out the heater quarterly depending on experience.

Frequency of cleaning will vary from weekly to monthly depending on water quality. The Redring Cat No. 95-711015 can be used. This cases kettle descaling solution such as brushes in the handset by removing them and rinsing in the handset to regularly clean the unit. These can build up in the grooves of the spray rings. This will reduce the performance of the unit, produce a poor spray pattern and cause water pressure to build up inside the unit.

How to maintain the shower

All water contains particles of lime. These can build up in the grooves of the spray rings. This will reduce the performance of the unit, produce a poor spray pattern and cause water pressure to build up inside the unit.

Cleaning the spray rings

Before replacing the rings flush out the heater quarterly depending on experience.

Frequency of cleaning will vary from weekly to monthly depending on water quality. The Redring Cat No. 95-711015 can be used. This cases kettle descaling solution such as brushes in the handset by removing them and rinsing in the handset to regularly clean the unit. These can build up in the grooves of the spray rings. This will reduce the performance of the unit, produce a poor spray pattern and cause water pressure to build up inside the unit.

How to maintain the shower

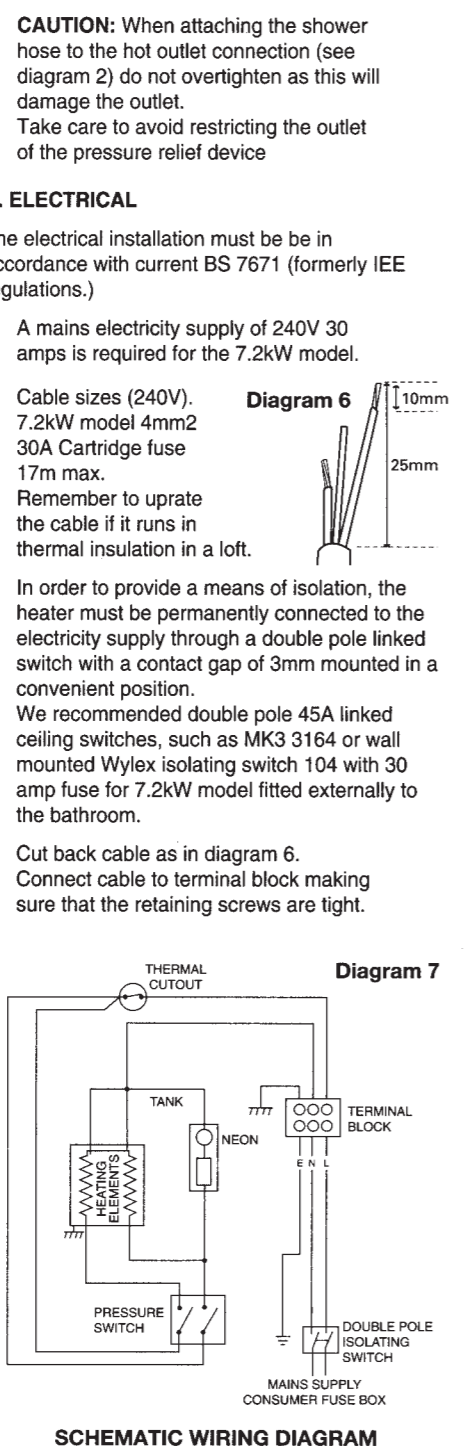
All water contains particles of lime. These can build up in the grooves of the spray rings. This will reduce the performance of the unit, produce a poor spray pattern and cause water pressure to build up inside the unit.

Cleaning the spray rings

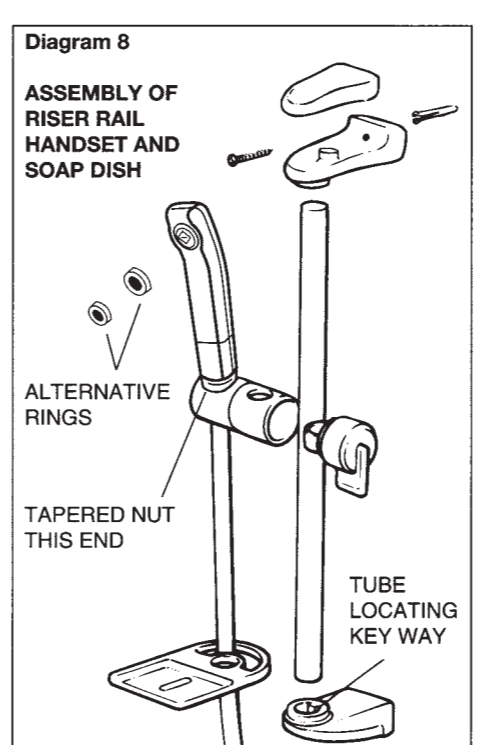
Before replacing the rings flush out the heater quarterly depending on experience.

Frequency of cleaning will vary from weekly to monthly depending on water quality. The Redring Cat No. 95-711015 can be used. This cases kettle descaling solution such as brushes in the handset by removing them and rinsing in the handset to regularly clean the unit. These can build up in the grooves of the spray rings. This will reduce the performance of the unit, produce a poor spray pattern and cause water pressure to build up inside the unit.

4. To enable the shower to be fitted in any convenient position, removable cable entry covers are positioned at the top and bottom of the unit. These can be cut out and the cable routed through the hole provided. Only the top and rear entries can be used with 10mm² cable.
 5. Remove the front cover of the heater by undoing the retaining screw at the bottom. A keyhole slot is provided on the top hole to assist installation. Mark the position of the two fixing holes and drill the wall to take the wall plugs and no. 8 screws provided.
- B. PLUMBING**
1. The heater should be connected to the mains cold supply. This must have a minimum running pressure of 0.68 Bar (10psi/69kPa) and a maximum pressure of 6.8 Bar (100psi/690kPa).
 2. The heater can be fed from a header tank provided this has a minimum head of 7 metres (23ft). We recommend a tight fitting lid is fitted on a header tank.
 3. In extreme cases of difficulty in getting sufficient water pressure consideration should be given to using a pump.
 4. 15mm copper, chrome plated copper pipe or stainless steel pipe can be used. Flush the pipework through thoroughly to remove particles etc, before making the final connection to the shower. Ensure that there are **no burrs** on the pipe. Push on knob to operate tap, flush the heater through to remove any particles before connecting the handset. Blockage in the waterways (particularly in the spray rings) will prevent the heater working properly.
 5. The Shower is designed to have an open outlet and should only be used with fittings recommended by Redring. Do not connect outlet hose until after shower front cover is fitted.
 6. It is recommended that a W.R.C. listed isolating valve is fitted between the rising main and the unit. This will allow the unit to be serviced without turning off the cold water.
- WARNING: DO NOT FIT A TAP ON THE SHOWER OUTLET.**



5. **WARNING: THIS APPLIANCE MUST BE EARTHED**
 6. The earth continuity conductor of the electrical installation must be effectively connected electrically to all exposed parts of other appliances and services in the room in which the water heater is to be installed in conformity with the I.E.E. wiring regulations.
- Hook on front cover and fasten with screw on the underside. Push on knob with the lever pointing to the left and horizontal (see diagram 1 'Stop' position). Fasten the knob using retaining screw provided and push the insert in position (it will only fit one way).
- Check the operation of unit, turn knob to position 5 for warm water. Check again for leaks.
7. Operate the shower as on page 2 and check:
 - a) that the water gets to satisfactory temperature.
 - b) water flow can be adjusted and stopped by knob.
 - c) that the correct winter/summer rings are fitted.
- DEMONSTRATE OPERATION TO USER**



Guarantee

We, GDA Applied Energy Ltd, guarantee that should this instant water heater prove to be defective by reason of faulty workmanship or material within 36 months (12 months outside the U.K.) of the date of purchase or commencement of hire purchase we will replace the defective parts **FREE OF CHARGE** on the condition that:

- a) The appliance has been correctly installed and used only on the supply circuit or voltage stamped on the rating plate.
- b) The appliance has been used in accordance with these instructions and has not been tampered with or otherwise subject to misuse, neglect or accident.
- c) The appliance has not been taken apart, modified or repaired except by a person authorised by us.
- d) EVIDENCE of the date of purchase in the form of an invoice, receipt (or hire purchase documents) is included with the appliance if returned under guarantee.

This Guarantee does not affect your statutory rights

Full details of Terms and Conditions of guarantee are available on request from:

REDRING

GDA Applied Energy Ltd.,
Morley Way, Peterborough PE2 9JJ
Telephone: +44(0)1733 456789 Fax: +44(0)1733 310606
Website: www.gda-applied-energy.com

THE REDRING SHOWER HANDBOOK

ACTIVE 300

IMPORTANT: THIS BOOKLET SHOULD BE GIVEN TO THE CUSTOMER AFTER INSTALLATION AND DEMONSTRATION