



# form & function

The new  
thermostatic  
**Redring  
Selectronic  
Mixer Shower**  
blurs the  
boundaries.

Fits to almost any plumbing system on virtually any pressure. Sleek design with a patent pending 'through the ceiling' connection - for one of the quickest installation times on the market.

- **No fuss**
- **No problems**
- **No wasted time**

selectronic  
mixer shower





Adjustable 3 function Traditional, Pulsator and Aerator Showerhead for pressures 0.2 - 7 bar.



Traditional



Aerator



Pulsator

Single function showerhead for pressures 0.1 - 7 bar especially gravity fed sites. Rub clean.



## The Product

The Redring Selectronic Mixer Shower features a unique hot and cold water connection design and uses the highest quality components. This thermostatic Redring Selectronic Mixer Shower offers a superb temperature response, with automatic shutdown if the cold or hot water supply fails. In addition and by utilising the riser rail to route the hot and cold supplies through the ceiling this shower has one of the quickest installation times on the market.

## Key Features

Perfect for retrofit or a brand new bathroom - minimal disruption

- Thermostatic
- Very quick to install
- Hot and cold supplied down riser rail
- No tile or wall cutting required
- Only two fixings needed
- Compatible with just about any plumbing system
- Supplied with isolating valves including integral filters
- Contemporary styling to enhance bathroom
- Automatic shutdown if cold or hot water supply fails
- Safety button override for hotter shower
- Easy clean
- Made from highest quality components
- Designed for reliability
- Unique UK design and manufacture
- Chrome plated solid brass fittings for durability
- All metal construction for strength

## Guarantee



## Specifications

- Suitable for rooms with ceiling heights up to 2.5 metres
- Overall height: 1100mm

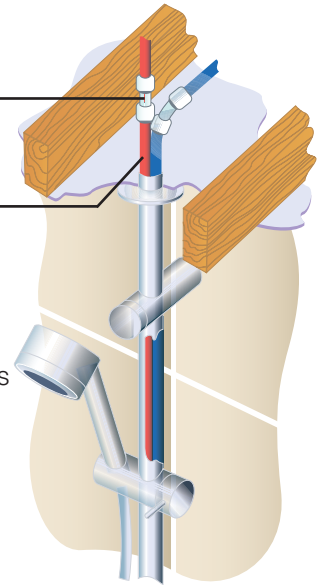
## Technical

### Easy and fast installation

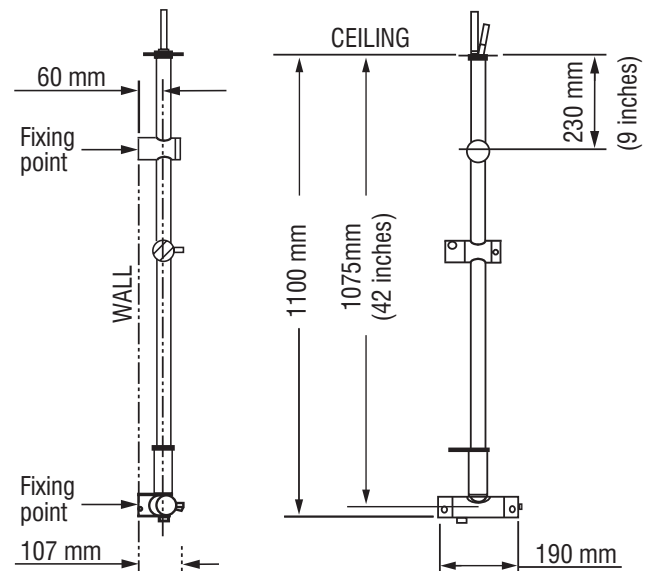
Simply connect to water supplies within roof cavity

Includes pre-assembled hot and cold feed pipes plus isolating valves with filters

- No channel pipe to cut
- Easy two point mounting
- 15mm copper pipes suitable for all connections including push-on, compression and soldered joints
- Pipes rotate for easy alignment



## Dimensions



## Pressure Requirements

The Redring Selectronic Mixer Shower assembly can be used on systems with pressures from 0.1 bar (1 metre head) to 7 bar. The maximum hot to cold pressure differential should NOT exceed 2 bar at higher pressures or 0.2 bar at very low pressures. For pressures in excess of 7 bar a pressure regulator should be fitted.

### Product Selector

Product Reference	Short Code	Catalogue Number	Description
SELECTRONIC TM	SLT1	36598201	Redring Selectronic Mixer Shower including riser rail, hose and high & low pressure shower heads

Discover stunning form and perfect function at  
[www.redring.co.uk](http://www.redring.co.uk) or call **01733 456870**