

EN

FR



UPGRADING
EVERYDAY
SECURITY

2-WAY WIRELESS INDOOR SIREN



Model: EL-4723

INSTALLATION INSTRUCTIONS

GENERAL DESCRIPTION

The EL-4723 is a 2-Way Wireless Indoor Siren for use with the iConnect 2-Way security system. In the event of an alarm the control system activates the siren. The Wireless Indoor Siren is sounded until the end of the control-system-programmed siren cutoff.

SELECTING A LOCATION

Consider the following before mounting the Siren:

- ◆ Choose a suitable mounting location for the Siren.
- ◆ The Siren should be mounted on a flat surface in a highly visible position for maximum deterrence against potential intruders.
- ◆ Before permanently mounting the Siren, test the reception from the exact mounting position.

**NOTE:**

Due to the occurrence of voltage delay in lithium batteries that have been in storage, the batteries may initially appear to be dead. In this case, leave the unit in Test mode for a few minutes until the battery voltage level is stabilized.

REGISTRATION

The EL-4723 must identify itself to the iConnect 2-Way receiver as follows:

1. Set the system to registration mode.
 - a. Go to the main menu and select [9]>[1]>[5]>[1] (Programming > Devices > Siren>WL Siren)
 - b. Select a siren from the list (1-4) and press '√'.
2. Release the mounting bracket captive locking screw (see Figure 1).

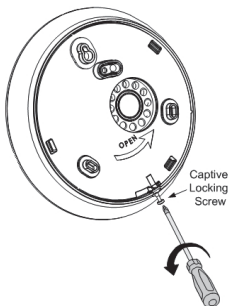


Figure 1: Releasing the locking screw

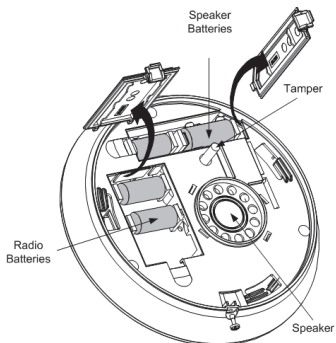


Figure 2: Inserting the batteries

3. Open the housing – lift the front cover away from the rear housing.
4. Insert the batteries while paying attention to polarity (see Figure 2 and Figure 3).

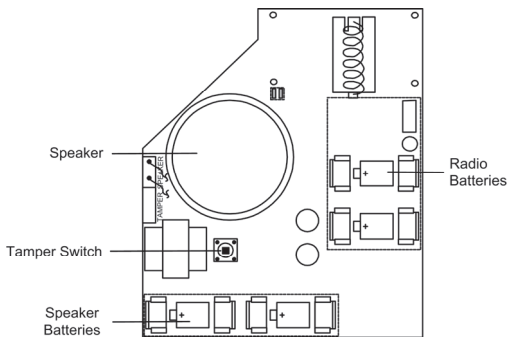


Figure 3: Inserting the batteries #2

5. The Siren will send a transmission. If the transmission is successfully received by the system it will play a confirmation sound. If no

confirmation sound is heard send another transmission by pressing and releasing the tamper switch of the Siren.

- As soon as 'Save?' appears press '√'.

MOUNTING THE SIREN

After the Siren has been registered mount the unit as follows:

- Place the back cover in position against the wall and mark the upper and lower mounting holes.
- Install wall anchors in the appropriate positions.
- Attach the back cover to the wall using supplied screws (see Figure 4).

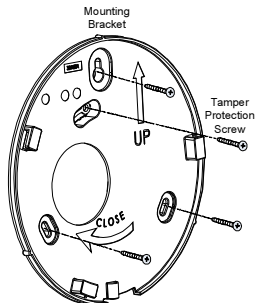


Figure 4: Attaching the mounting bracket

- Mount the Siren to the mounting bracket by turning the Siren clockwise.
- Secure the captive locking screw (see Figure 1)

TESTING THE SIREN

Once the Siren has been registered test the unit according to the following testing procedure:

To perform a Siren test

- Go to the main menu and select [7]>[0]>[3]>[1] (Service> Tests> WL Siren Test).
- Select a siren from the list (1-4) and press '√'. The selected Siren is sounded briefly.

DELETING A SIREN

To delete a Siren from the system:

1. Set the system to Delete mode.
2. Go to the main menu and select [9]>[1]>[5]>[1] (Programming > Devices > Siren>WL Siren)
3. Select a siren from the list (1-4) and press '√'.
4. Press >3, and press '√'. Upon the 'OK' confirmation request, press '√'
5. Open the Siren and take out the battery.
6. Press the tamper switch. While the tamper switch is being pressed insert the battery. Within five seconds open the tamper and close it again.

SPECIFICATIONS

Frequency :	868MHz or 433MHz
Power:	4 X CR123, 3V Lithium Battery (2 batteries for the Radio Transceiver, 2 batteries for the Speaker)
Current Consumption (Radio):	25mA (transmission) 40 μ A (standby)
Current Consumption (Speaker):	50 μ A (standby) Maximum: 1.5A
Battery Life:	3 years (typical)
Siren Output:	105dB @ 1m
Tamper Protection:	Front cover, removal from wall
Temperature:	-10°C to 55°C
Dimensions:	Ø183 x 51 mm (7.2 x 2 inch)

*Complies with EN 50131-4 Grade 2 Class II



UPGRADING
EVERYDAY
SECURITY

SIRENE D'INTERIEUR



Model: EL-4723

INSTRUCTIONS POUR L'INSTALLATION

DESCRIPTION GÉNÉRALE

Le EL- 4723 est une Sirène intérieure radio bidirectionnelle appartenant à la gamme iConnect .

En cas d'alarme, le Système de commande active la sirène . La sirène intérieure radio sonne jusqu'à la désactivation de l'alarme.

MISE EN PLACE DES PILES

Placer toujours les piles haut parleur avant les piles Radio

Et toujours appuyer sur l'autoprotection de la sirène juste avant la fixation

SELECTIONNER UN EMPLACEMENT

Considérez ce qui suit avant de monter la sirène :

- ◆ Choisissez un emplacement approprié pour la sirène.
- ◆ La sirène doit être montée sur une surface plane dans une position très visible afin de dissuader les intrus potentiels .
- ◆ Avant de monter en permanence la sirène , tester la réception de la position de montage exacte .

Toujours porter des protections auditives lors de l'installation des sirènes intérieures / extérieures

ENREGISTREMENT DE LA SIRENE

Le EL- 4723 doit s'identifier auprès du système de contrôle iConnect de la façon suivante :

1. Régler le système en mode d'enregistrement.
Allez dans le menu principal et sélectionnez [9]> [1]> [5]> [1] (Programmation> Appareil > Sirène> Siren WL)
2. Sélectionnez une sirène dans la liste (1-4) et appuyez sur √.

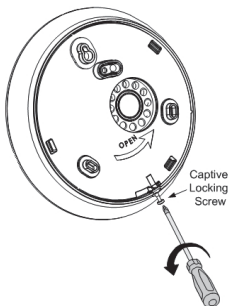


Figure 5: Ouverture

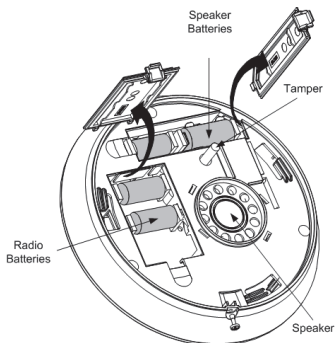


Figure 6: Insertion des piles

- Ouvrez le boîtier - soulevez le capot avant à l'opposé du boîtier arrière.
- Insérez les piles en faisant attention à la polarité.

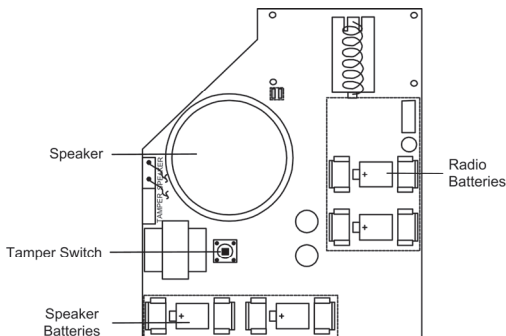


Figure 7: Insertion des piles(#2)

- La sirène enverra une transmission. Si la transmission est bien reçue par le système, il enverra un son de confirmation. Si aucun son de confirmation est entendu envoyer une autre transmission en appuyant et relâchant l'autoprotection de la sirène.
- Dès que 'Enregistrer?' apparaît pressez √.

PROCEDURE D'INSTALLATION

Une fois la sirène enregistrée monter l'appareil de la façon suivante:

1. Remettre le couvercle en place contre le mur et marquer les trous de fixation supérieurs et inférieurs.
2. Installer les chevilles dans les positions appropriées.
3. Fixer le couvercle du dos au mur en utilisant des vis. Remettez la sirène sur son socle en la tournant.

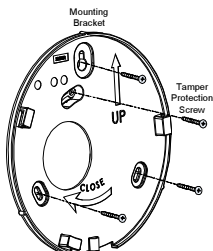


Figure 8: Fixation

TEST DE LA SIRÈNE

Une fois que la sirène enregistrée tester l'appareil en fonction de la méthode d'essai suivante:

Pour effectuer un test sirène:

1. Allez dans le menu principal et sélectionnez [7]> [0]> [3]> [1] (Service> Tests> Test de sirène radio).
2. Sélectionnez une sirène dans la liste (1-4) et appuyez sur √. La sirène sélectionnée retentit brièvement.

SUPPRESSION D'UNE SIRENE

Pour supprimer une sirène du système:

1. Régler le système en mode Suppression.
 - a. Allez dans le menu principal et sélectionnez [9]> [1]> [5] (Programmation> Appareil> Sirène)
 - b. Sélectionnez une sirène dans la liste (1-4) et appuyez sur √.
2. Presse> 3> '√. À la demande «OK» de confirmation, appuyez sur √
3. Ouvrez la sirène et sortez la batterie.
4. Enlever la pile puis appuyer sur l'autoprotection, sans la lâcher remettez la pile. Puis relancer l'autoprotection, attendre 5 seconde et appuyez sur l'autoprotection.

Electronics Line Limited Warranty

EL and its subsidiaries and affiliates ("Seller") warrants its products to be free from defects in materials and workmanship under normal use for 24 months from the date of production. Because Seller does not install or connect the product and because the product may be used in conjunction with not manufactured by the Seller, Seller can not guarantee the performance of the security system which uses this product. Sellers' obligation and liability under this warranty is expressly limited to repairing and replacing, at Sellers option, within a reasonable time after the date of delivery, any product not meeting the specifications. Seller makes no other warranty, expressed or implied, and makes no warranty of merchantability or of fitness for any particular purpose. In no case shall seller be liable for any consequential or incidental damages for breach of this or any other warranty, expressed or implied, or upon any other basis of liability whatsoever. Sellers obligation under this warranty shall not include any transportation charges or costs of installation or any liability for direct, indirect, or not be compromised or circumvented; that the product will prevent any persona; injury or property loss by intruder, robbery, fire or otherwise; or that the product will in all cases provide adequate warning or protection. Buyer understands that a properly installed and maintained alarm may only reduce the risk of intruder, robbery or fire without warning, but is not insurance or a guaranty that such will not occur or that there will be no personal injury or property loss as a result. Consequently seller shall have no liability for any personal injury, property damage or loss based on a claim that the product fails to give warning. However, if seller is held liable, whether directly or indirectly, for any loss or damage arising from under this limited warranty or otherwise, regardless of cause or origin, sellers maximum liability shall not exceed the purchase price of the product, which shall be complete and exclusive remedy against seller. No employee or representative of Seller is authorized to change this warranty in any way or grant any other warranty.

WARNING: This product should be tested at least once a week.

CAUTION: Risk of explosion if battery is replaced by an incorrect type. Dispose of used batteries according to local regulations.

Contacting Electronics Line



UPGRADING
EVERYDAY
SECURITY

www.electronics-line.com



International Headquarters:

Electronics Line

14 Hachoma St., 75655

Rishon Le Zion, Israel

Tel: (+972-3) 963-7777

Fax: (+972-3) 961-6584

All rights reserved.

No part of this document may be reproduced in any form without prior written permission from the publisher