

# ROBERTS

Sound for Generations



## R9966

3 Band Mains/Battery  
Rugged Radio

**Terrain**  
RUGGED RADIO

Please read this manual before use

## Contents

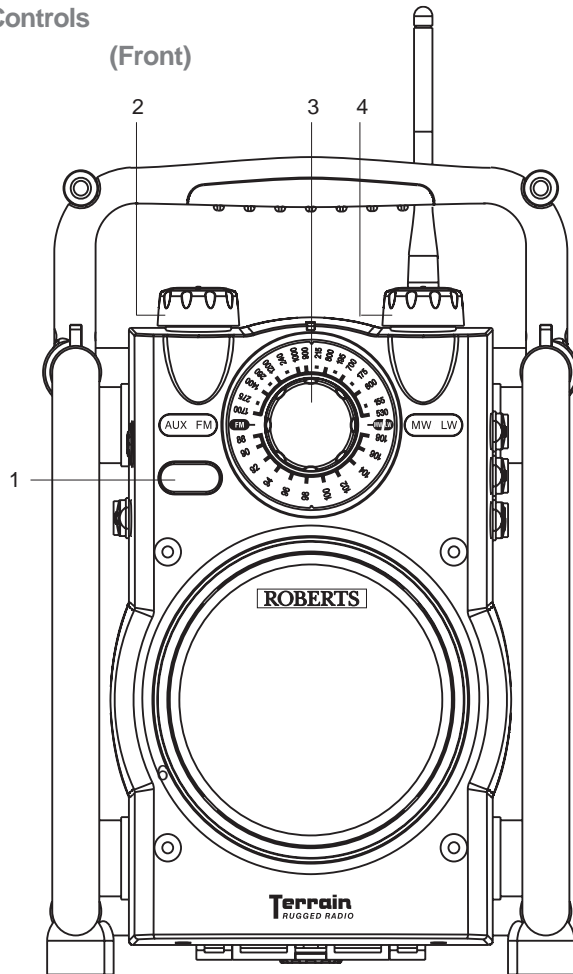
<i>Important Information</i> .....	1
<i>Controls</i> .....	2-3
<i>Mains Operation</i> .....	4
<i>Battery operation</i> .....	4
<i>Operating your radio - FM</i> .....	5
<i>Operating your radio - Medium and Long wave</i> .....	6
<i>Mic, Aux and Headphone sockets</i> .....	7
<i>External DC in socket</i> .....	8
<i>Mains supply</i> .....	9
<i>Specifications</i> .....	10
<i>Guarantee</i> .....	<i>Back page</i>

## Important

***The AC mains lead should only be used in dry conditions. If using your radio outside in damp or rainy conditions the internal battery supply should be used.***

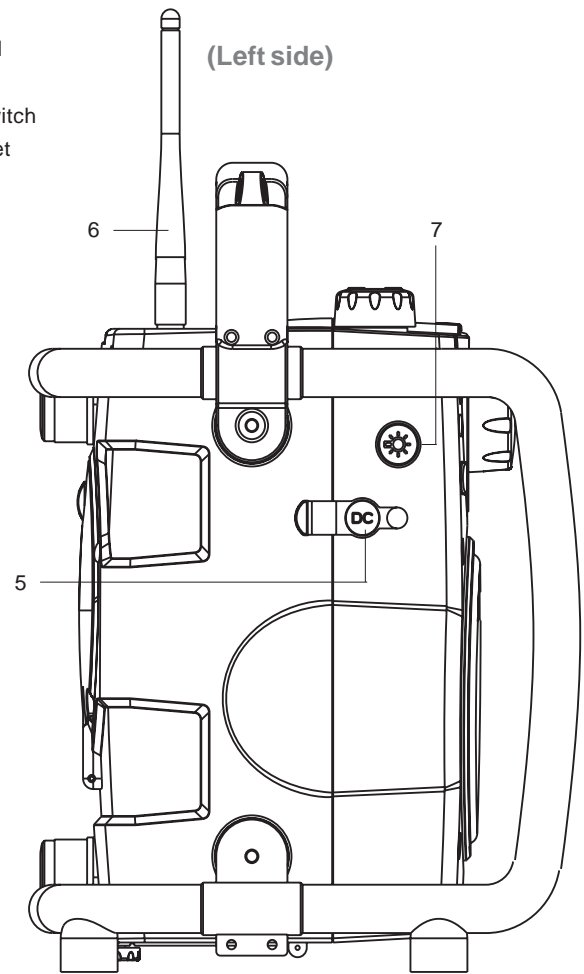
## Controls

(Front)



1. Light
2. Volume control
3. Tuning dial
4. Waveband switch

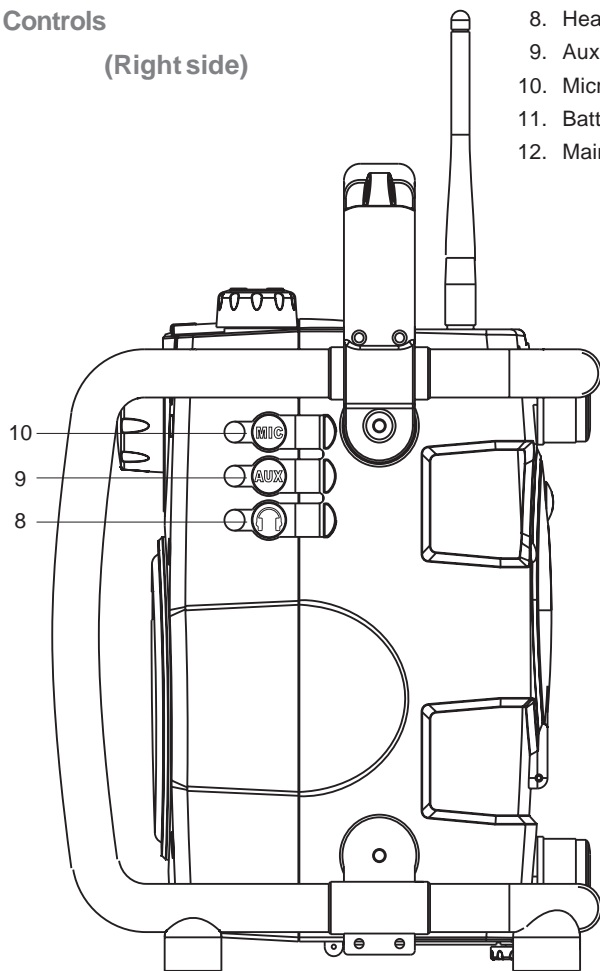
(Left side)



If you need any further advice, please call our Technical Helpline on :-  
020 8758 0338 (Mon-Fri)

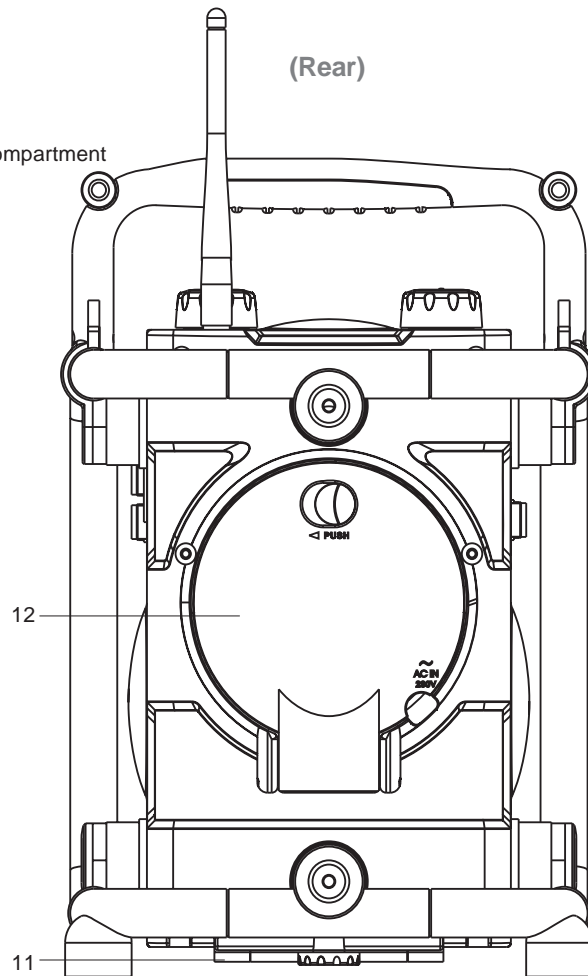
## Controls

(Right side)



8. Headphone socket
9. Auxiliary socket
10. Microphone socket
11. Battery compartment
12. Mains lead storage compartment

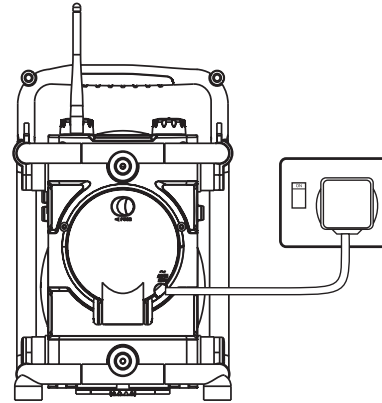
(Rear)



## Mains operation

**Only for use in dry conditions. If using your radio outside in damp or rainy conditions the internal battery supply should be used.**

1. Place your radio on a flat surface.
2. Open the **Mains lead storage compartment** (located on the rear of your radio) by sliding the catch in the direction of the arrow. Unwind the mains lead.
3. Position the mains lead in the cut out in the lower right side of the compartment door. Close the door.
4. Insert the mains plug into a wall socket and switch on the wall socket.



---

## Battery operation

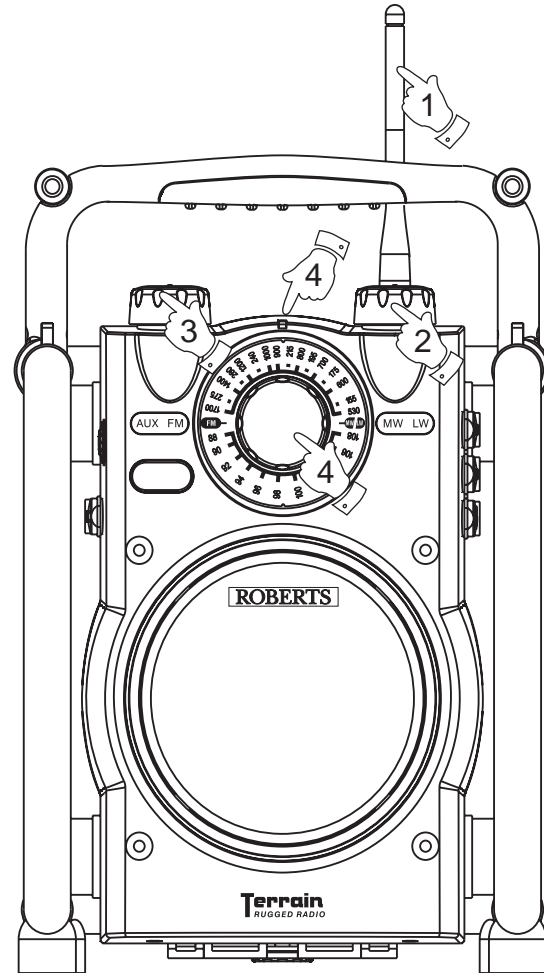
1. Unscrew the battery compartment fixing screw located on the underside of your radio.
2. Open the **Battery compartment** and insert 6 LR20 (D size) batteries into the compartment. Take care to ensure all batteries are inserted with the correct polarity as shown inside the battery compartment. Replace the battery cover and tighten the battery compartment fixing screw.
3. Reduced power, distortion and a 'stuttering' sound are all signs that the batteries may need replacing.
4. If the radio is not to be used for any extended period of time it is recommended that the batteries are removed from the radio.

*We would recommend for economy that your radio is used on the mains whenever possible with battery operation for occasional or stand-by use only.*

*If you need any further advice, please call our Technical Helpline on :-  
020 8758 0338 (Mon-Fri)*

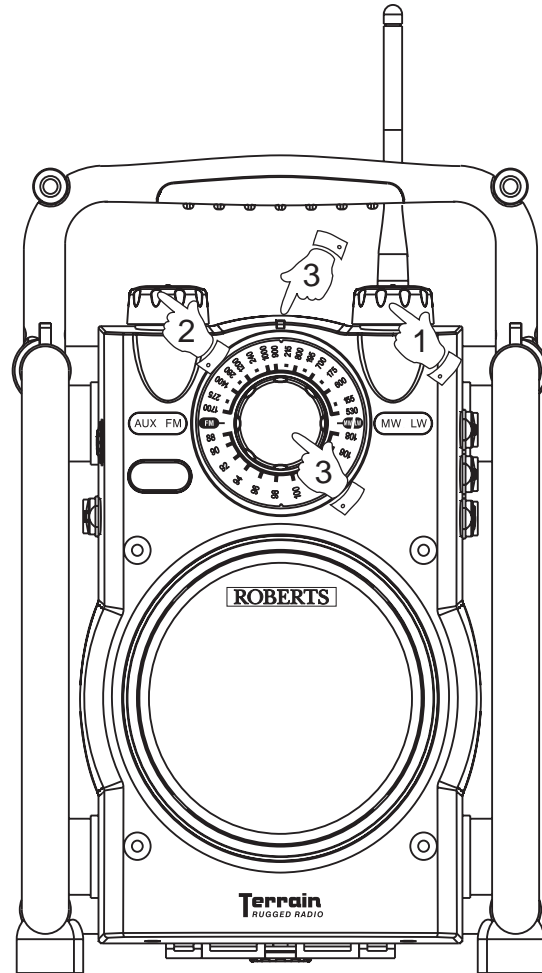
## Operating your radio FM

1. Fit the FM antenna into its mounting point (top right of your radio) By rotating the antenna clockwise until it is 'hand tight'. Do not over tighten
2. Set the **Waveband switch** to the FM position.
3. Adjust the **Volume control** until a hissing sound is heard.
4. Rotate the **Tuning control** to select the desired station. The **Tuning indicator** will light when the station is correctly tuned. On FM the **Tuning scale** is marked in Megahertz (MHz).
5. Your radio may be switched off by rotating the **Waveband switch** to the Off position.



## Operating your radio Medium and Longwave

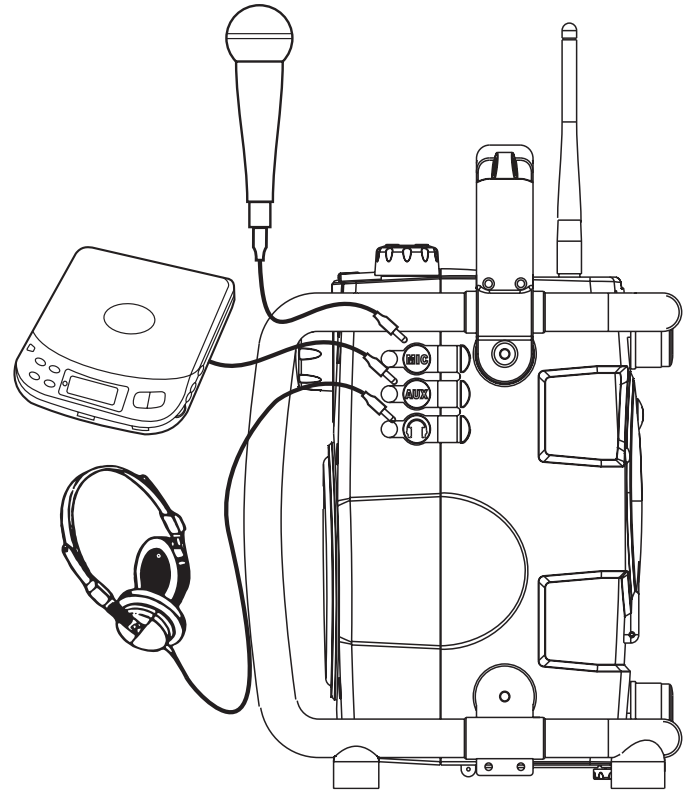
1. Set the **Waveband switch** to the MW or LW position.
2. Adjust the **Volume control** until a hissing sound is heard.
3. Rotate the **Tuning control** to select the desired station. The **Tuning indicator** will light when the station is correctly tuned. On FM the **Tuning scale** is marked in Megahertz (kHz).
4. Rotate your radio for best reception.
5. Your radio may be switched off by rotating the **Waveband switch** to the Off position.



If you need any further advice, please call our Technical Helpline on :-  
020 8758 0338 (Mon-Fri)

## Mic, Aux and Headphone sockets

1. **The Mic socket** (6.35mm) on the right side of your radio allows a microphone to be connected to your radios amplifier. Inserting a plug into the socket automatically mutes the internal radio signal.
2. The **Aux socket** (3.5mm) on the right side of your radio is for use with a tape recorder/mini disc or any other equipment that can provide a line level signal. Inserting a plug into the socket automatically mutes the internal radio signal. The **Volume control** can be used to adjust volume level.
3. The **Headphone socket** (3.5mm) located on the right side of your radio is for use with either headphones or an earpiece. Inserting the headphone plug automatically mutes the internal loudspeaker.





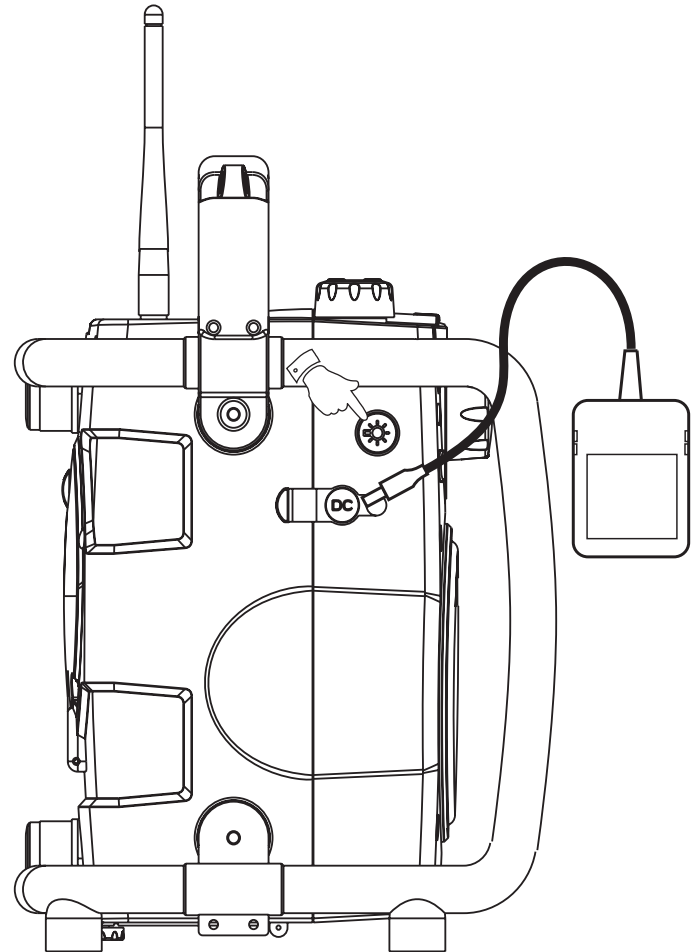
## External DC in socket

1. If a 230V mains supply is not available your radio may be powered by 12 Volts DC via the **External DC in socket** located on the left side of your radio. Your radio requires a 12V DC supply at 1A with the centre pin of the plug positive.

**Note: Input to DC socket should not exceed 14V.**

## Light

1. Your radio is fitted with a long life LED light located on the front of your radio. The light may be switched on momentarily by gently pressing the **Light button**.
2. The **Light** may be latched in the on position by fully pressing in the **Light button** until a second click is heard. To switch off the **Light** fully press in the **Light button** until a click is heard.



## Mains supply

### Important

***The AC mains lead should only be used in dry conditions . If using your radio outside in damp or rainy conditions the internal battery supply should be used.***

The R9966 will operate from a supply of AC 230 volts, 50Hz  $\sim$  only.

**DO NOT cut off the mains plug from this equipment.** If the plug fitted is not suitable for the power points in your home or the cable is too short to reach a power point, then obtain an appropriate safety approved extension lead or adaptor. If in doubt consult your dealer.

If nonetheless the mains plug is cut off, remove the fuse and dispose of the plug immediately. This will avoid a possible shock hazard by inadvertent connection to the mains supply.

If this product is not supplied with a mains plug, or one has to be fitted, then follow the instructions given below:

**IMPORTANT. DO NOT** make any connection to the larger terminal which is marked with the letter E or by the safety earth symbol  $\perp$  or coloured Green or Green-and-yellow.

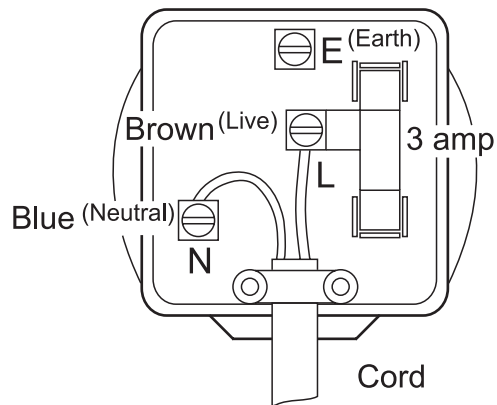
The wires in the mains lead are coloured in accordance with the following codes :-

BLUE - NEUTRAL

BROWN - LIVE

The wire coloured BLUE must be connected to the terminal marked N or coloured BLACK.

The wire coloured BROWN must be connected to the terminal marked L or coloured RED.




### Fuse

When replacing the fuse only a 3A ASTA approved to BS1362 type should be used and be sure to re-fit the fuse cover.

IF IN DOUBT - CONSULT A QUALIFIED ELECTRICIAN.

## Specifications

### Power Requirements

Mains	AC 230 volts, 50Hz  only
DC	12V DC @ 1Amp centre pin positive

### Frequency Coverage

FM	87.5-108MHz
MW	522- 1629kHz
LW	150- 281kHz

## Circuit Features

Loudspeaker	160mm dia 8ohms
Output Power	7W into 8 ohms
Headphone socket	3.5mm dia (stereo jack, mono output)
Auxiliary Input socket	3,5mm dia sensitivity 150mV @2.2kohms
Microphone socket	6.3mm dia 10kohms

*The Company reserves the right to amend the specification without notice.*

*If you need any further advice, please call our Technical Helpline on :-  
020 8758 0338 (Mon-Fri)*

## Guarantee

This instrument is guaranteed for twelve months from the date of delivery to the original owner against failure due to faulty workmanship or component breakdown, subject to the procedure stated below. Should any component or part fail during this guarantee period it will be repaired or replaced free of charge.

The guarantee does not cover:

1. Damage resulting from incorrect use.
2. Consequential damage.
3. Receivers with removed or defaced serial numbers.

Procedure:

Any claim under this guarantee should be made through the dealer from whom the instrument was purchased. It is likely that your Roberts' dealer will be able to attend to any defect quickly and efficiently but should it be necessary the dealer will return the instrument to the company's service department for attention. In the event that it is not possible to return the instrument to the Roberts' dealer from whom it was purchased please contact Roberts Radio Technical Services department at the address shown below before taking further action.

*These statements do not affect the statutory rights of a consumer.*

### **ROBERTS RADIO TECHNICAL SERVICES**

97-99 Worton Road  
Isleworth Middlesex  
TW7 6EG

