

## Choice CSTAT Cylinder Thermostat



### Benefits

---

The Sangamo Choice Cylinder thermostat is suitable for all hot water tanks and cylinders. It is also suitable for mounting on heating pipes. The Choice CSTAT is supplied complete with a mounting strap, this unit is very easy to fit around the tank and is also suitable for mounting on heating pipes. The capillary sensor ensures accurate hot water temperature control. While the large clear adjustment knob is easy to read and is adjustable up to 90°C

### Features

---

- Easy fixing to all hot water cylinders
- Suitable for use on uninsulated and foam lagged cylinders
- Cylinder strap and hooks provided
- Pipe mounting attachment included

### Applications

---

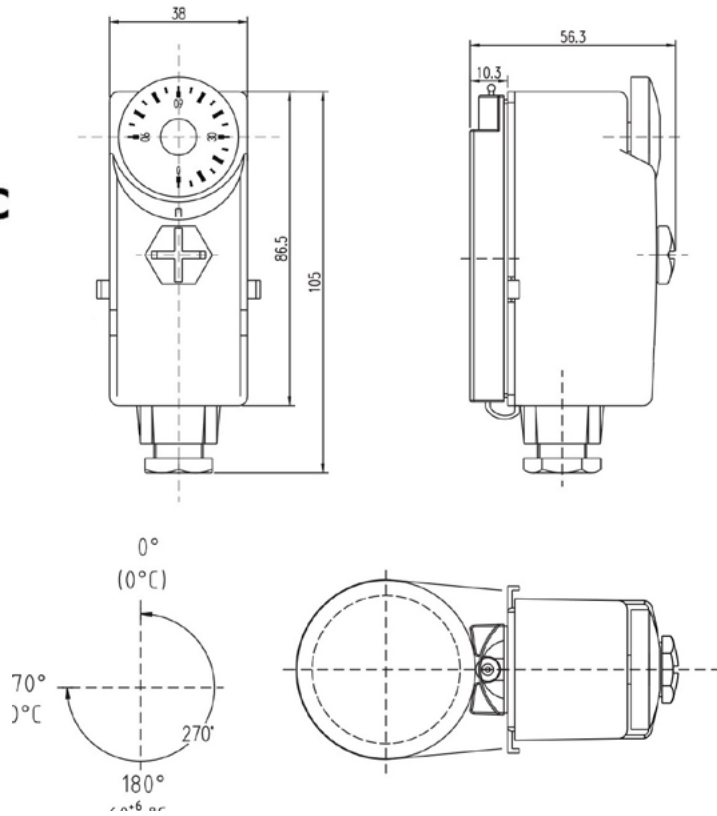
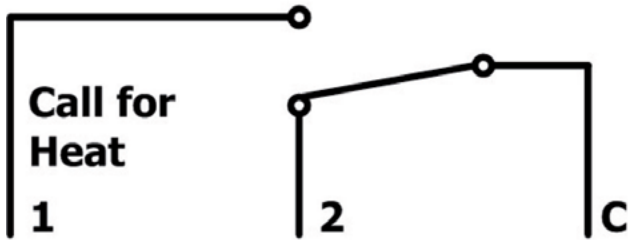
The cylinder thermostat is designed for surface mounting on domestic hot water cylinders. It can be used to switch directly a wet central heating circulating boiler or to operate zone valves.

### Technical Data

Switch Action:	SPPT Type 1CL
Switch Rating:	16(4) Amp, 230 Vac
Sensing Element:	Capillary Sensor
Temperature setting Range:	0°C to 90°C
Current Rating:	16(4) Amp
Differential:	4°C ± 2°C (non-adjustable)
Max Surface Temperature:	110°C
Protection:	IP40
Fixing:	Plastic coated spring wire (1800mm) with hooks

### Electrical Connections

Internal Wiring Diagram



Contact Us: 01475 745131

CUSTOMER CARE POLICY

As part of Sangamo's continuous improvement program, the Company operates a Customer Care Policy. This means that we welcome your comments and complaints, as it can only help us to improve our services to you, our customer.



Sangamo Limited, Industrial Estate, Port Glasgow,  
Renfrewshire PA14 5XG

Tel: 01475 745131

Email : enquiries@sangamo.co.uk Web: www.sangamo.co.uk