

RGB SIGNAL AMPLIFIER FOR RGB LED TAPE USER GUIDE

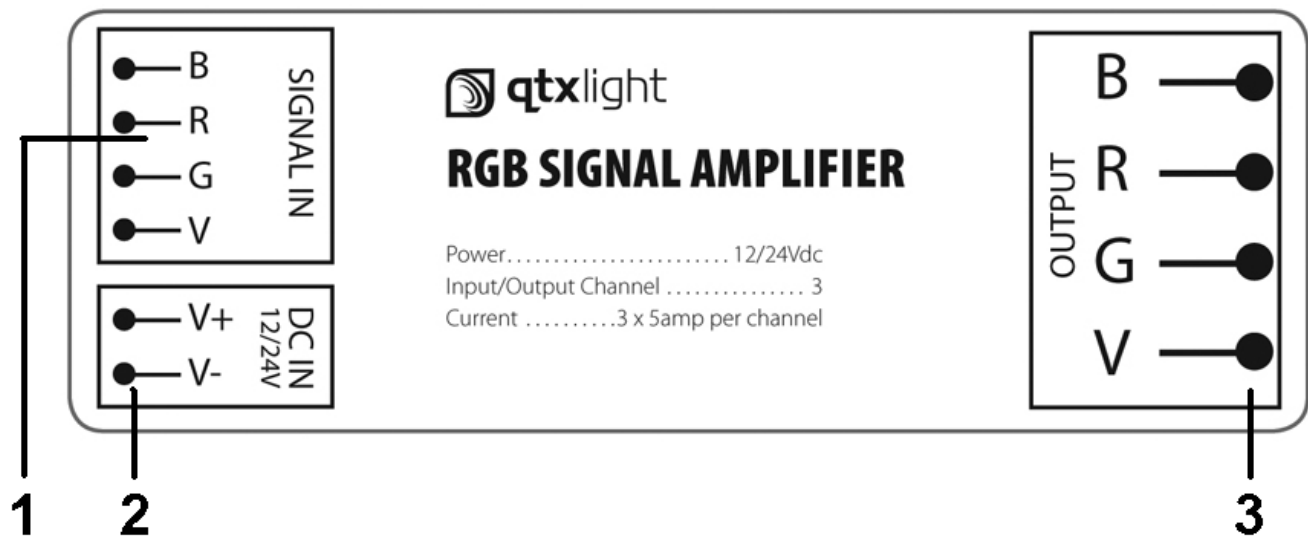
Introduction:

The current needed to power 11m of the 153.720UK RGB LED tape would be too high as the current would melt the protective epoxy coating. This unit is a solution to the problem and allows RGB tape to be extended to longer lengths while maintaining the signal from the source controller.

Features:

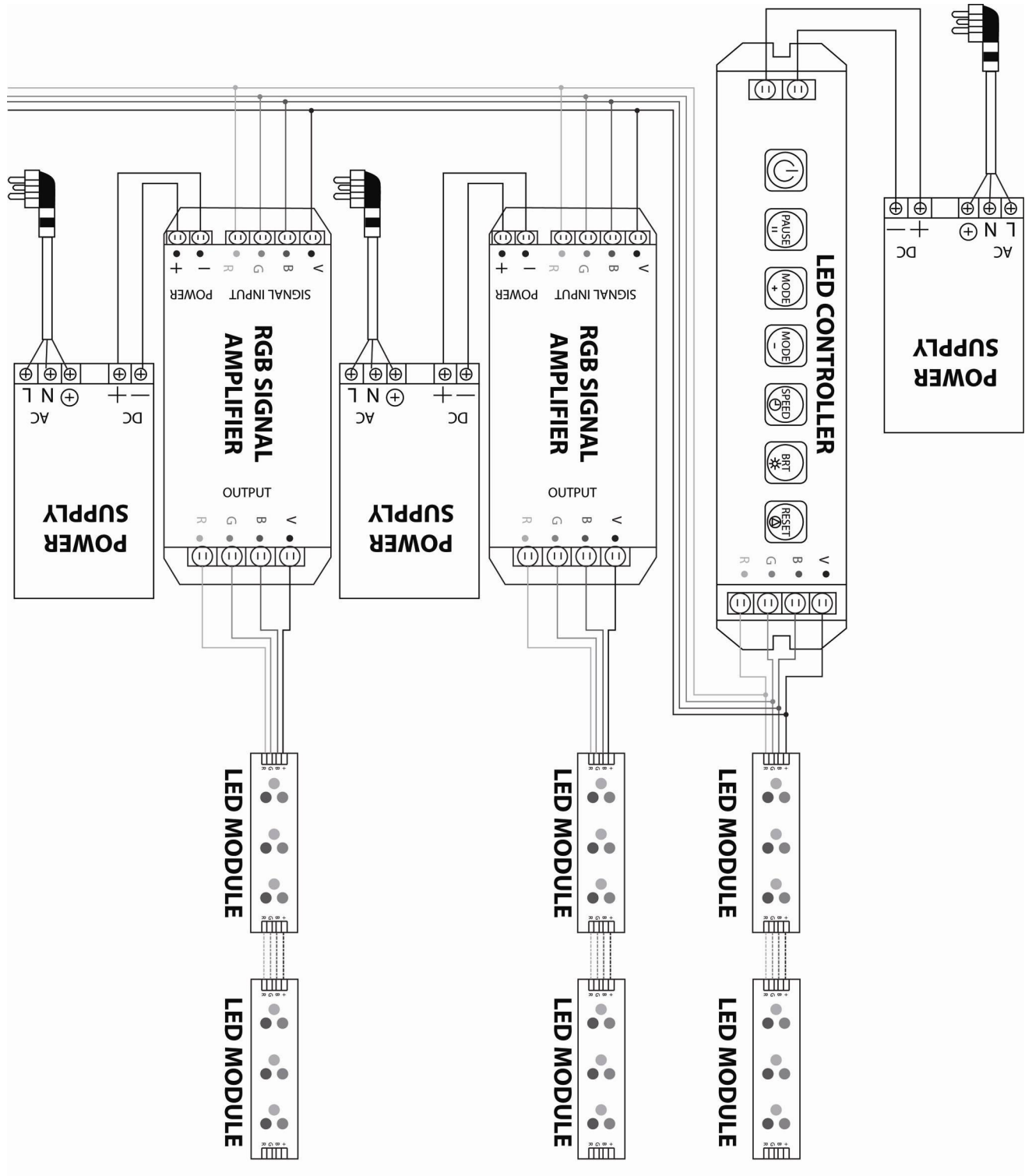
- 3 channel RGB signal extender control
- Compatible with many kinds of LED modules
- Can be used in parallel or array format
- Can be used to extend RGB tape to limitless lengths

See examples of how this product can be used:

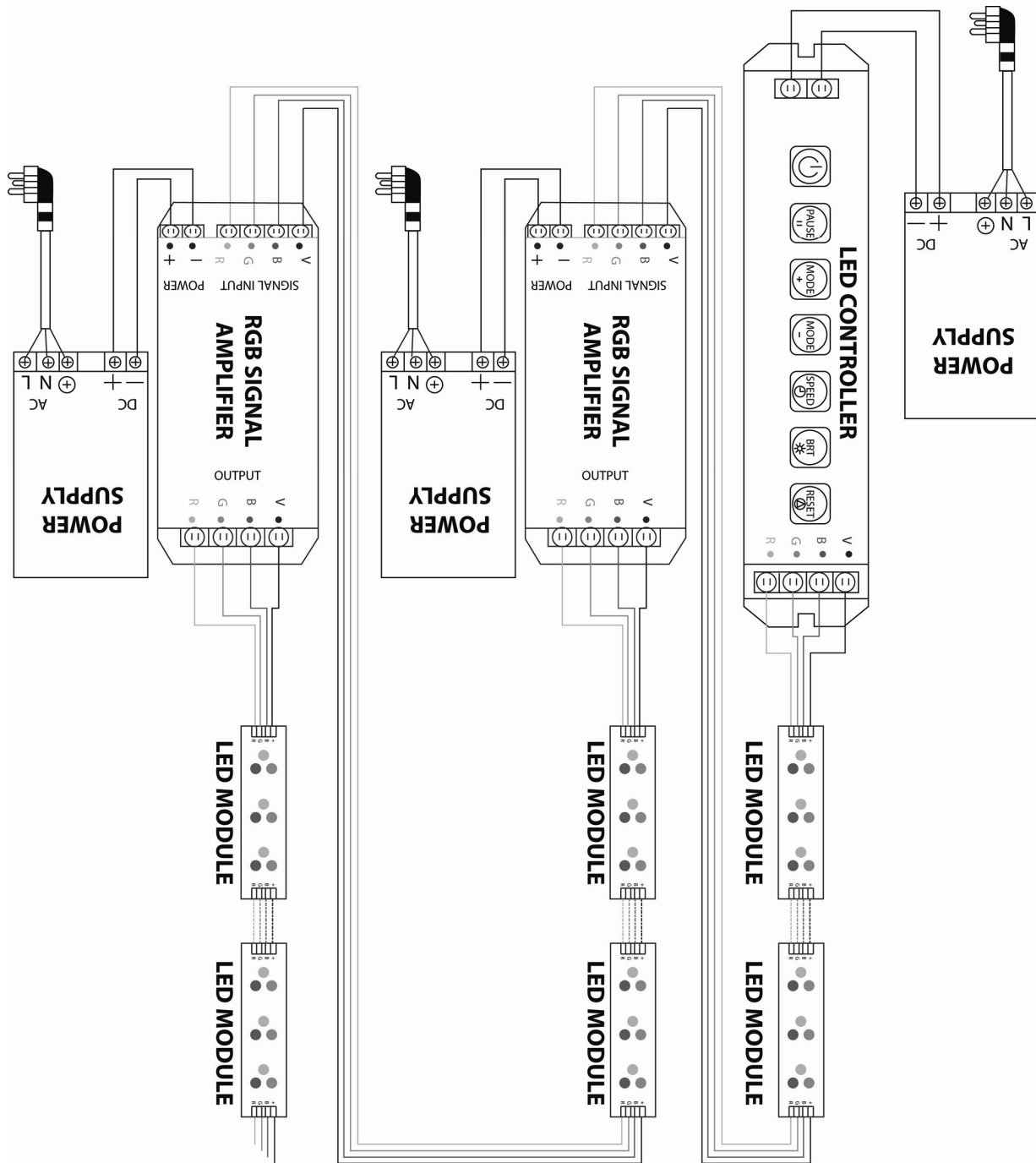


1. Signal IN. this is where the End of the first string of tape will be terminated
2. DC Power IN connection. This is where the power is boosted
3. Signal OUT. This is where you connect the next string of RGB LED tape

Example of Connecting in an array format



Example of Connecting in Series



*Please note that some of the connection locations of the V,R,G,B may vary on actual products. These diagrams are just for illustration purposes.