

Display Adjustments

Vertical Tilt

Function – adjusting the screen tilt to improve viewing angle/picture quality.

Operation – Loosen tilt tension Knob as shown in Fig. 5a. Adjust display for desired tilt angle, and then re-tighten tension Knob.

Swivel

Purpose – Optimize viewing angle for off center viewing positions.

Operation – Grasp edges of display and swivel into desired position.

Adjust swivel tension – Adjust tension with wrench.

±45° Pan

Purpose – Allows display to be positioned perpendicular to wall.

Operation – Extend cantilever arm completely. Fully swivel display in desired direction. (Fig. 4b)

Stowing the Screen

Purpose – Allows display to be folded flat to the wall.

Operation – Grasp center pivot point of cantilever arm and edge of display.

Fold arm in half at pivot point and push display back flat against wall. (Fig. 4c)

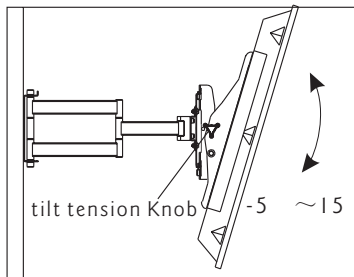


Fig 4a

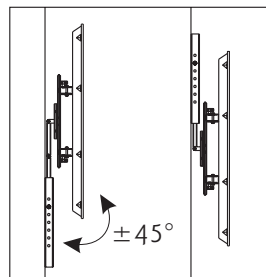


Fig 4b

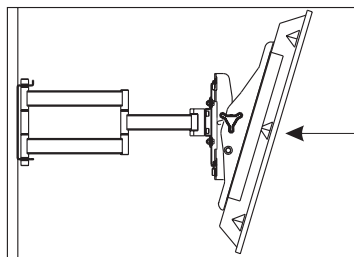


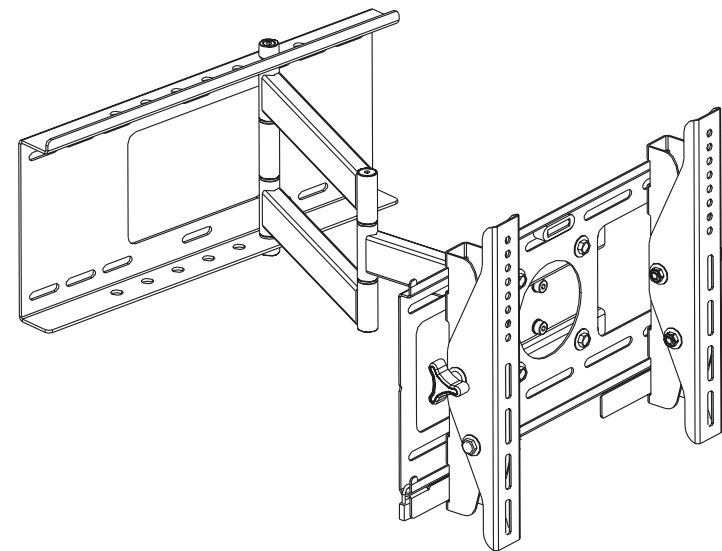
Fig 4c



Flat Panel Cantilever Bracket

INSTALLATION GUIDE

Item No.: I29.168



- Ideal for Flat Panels from 23" to 37"
- Maximum Weight Capacity: 75 Kg/165lbs
- Integrated Cable management
- Display Adjustments: Vertical Tilt, Swivel, ±45° Pan, Stowing the Screen

SAFETY WARNING:

1. This Product LCD /Plasma Wall Mount Bracket are intended for use only within the maximum weights indicated. See apparatus instructions. Use with products heavier than the maximum weights indicated may result in instability causing possible injury.
2. This product should only be installed by someone of good mechanical aptitude, has experience with basic building construction, and fully understands this manual.
3. Make sure that the supporting wall surface will safely support the combined load of the equipment and all attached hardware and components.
4. Never exceed the Maximum Load Capacity.
5. If mounting to wood wall stud wall construction, make sure that mounting screws are anchored into the center of the studs. Use of a stud finder is highly recommended.
6. Always use an assistant or mechanical lifting equipment to safely lift and position equipment.
7. Tighten screws firmly, but do not over tighten. Over tightening can damage the items, greatly reducing their holding power.
8. Around the mount location, there should be no cables, water lines or gas pipes etc.
9. This product is only for wooden wall, brick wall, and concrete wall.

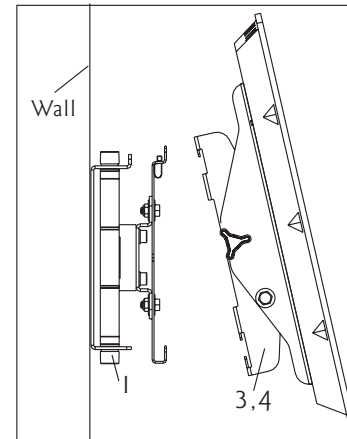


Fig 3a

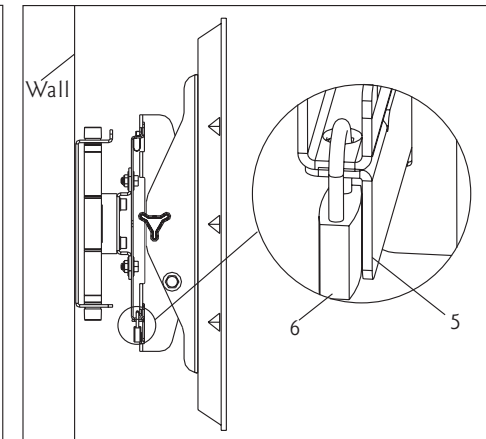


Fig 3b

Step 4: Using Cable Management

Remove the Cord cinchure from box. Use Cord cinchure(10) bind Route cords to Cantilever Arm in needful location. As shown in Fig. 4a.

Note: Make sure cords have enough slack to allow full movement of the arm.

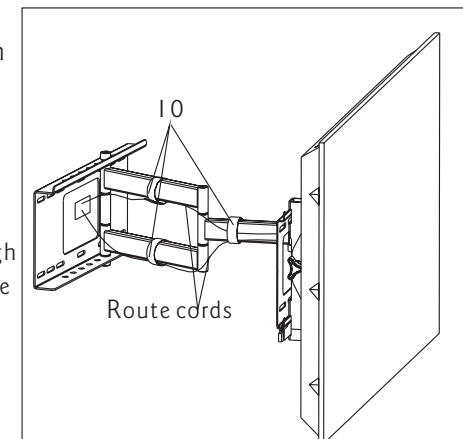


Fig 4a

Mounting Cantilever Assembly

IMPORTANT: For the display to be centered over the wall plate when the cantilever arm is folded, the arm will need to be offset by approximately 80mm from the desired center position of the screen. To do this, first note where the desired center of screen position intersects the wall plate, and then mark the wall plate. (Fig. 2d)

Attach cantilever arm to the wall plate at the indicated offset location. Mount cantilever assembly to wall using the 6 long bolts(L) and washers(N). Using balance-adjusting system on the plate, make sure whether wall plate is installed balanceable. If not, then slide the wall plate let pointer level the center position.(Fig. 2e)

Fold cantilever arm to verify center location of mounting head.

Note: The mounting head will be centered with the arm folded in one direction only.

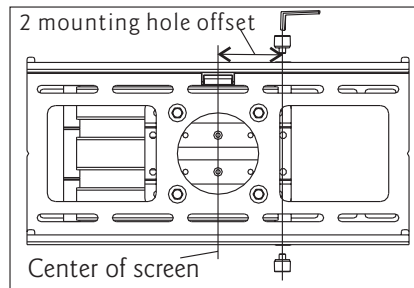


Fig. 2d

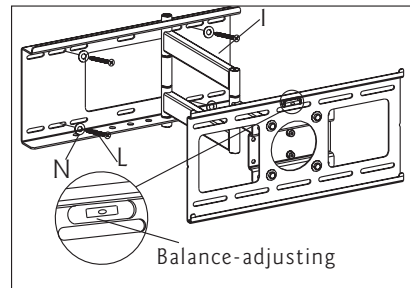


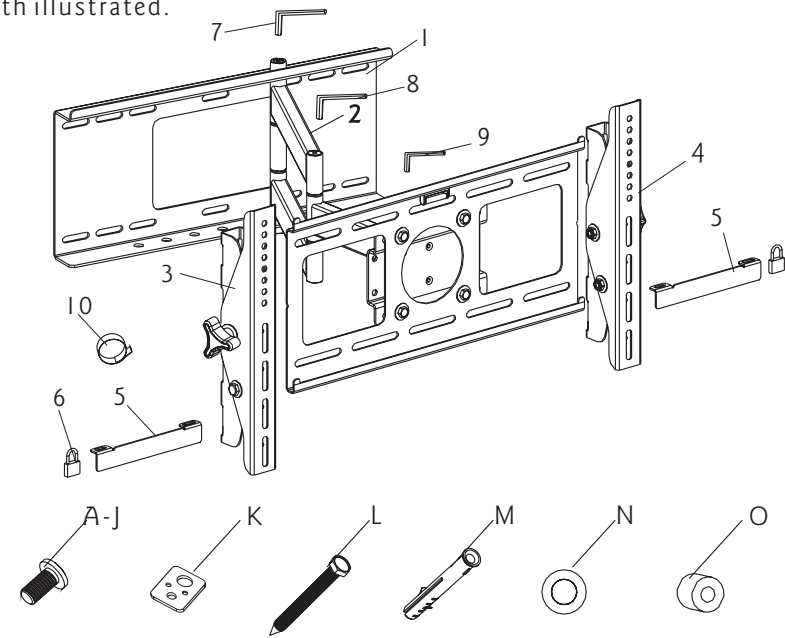
Fig. 2e

Step 3: Hanging display

Firstly lift the bracket mounted display over the wall mount. And then hook the brackets over the top of the wall mount. Rotate the display let the bottom of the brackets hook over the bottom of wall mount, as shown in Fig.3a. Then use the Locking bar(5) to prevent the display from being removed or accidentally knocked off of the wall plate. For additional security, install small padlock(6) through the provided lock holes, as shown in Fig.3b.

Warning: Some TV require two people to lift, as we are not responsible for any personal injury or product damage due to mishandling.

Hardware List: Actual parts appearance and the quantity may different with illustrated.



ID	Qty	Description
1	1	Wall mount
2	1	Cantilever Arm
3	1	Left Bracket
4	1	Right Bracket
5	2	Locking Bar
6	2	PadLock
7	1	5x5 Wrench
8	1	4x4 Wrench
9	1	3x3 Wrench
10	3	Cord cincture
A	4	M4×12mm bolt
B	4	M5×12mm bolt
C	4	M6×12mm bolt

ID	Qty	Description
D	4	M4×25mm bolt
E	4	M5×25mm bolt
F	4	M6×25mm bolt
G	4	M4×40mm bolt
H	4	M5×40mm bolt
I	4	M6×40mm bolt
J	4	1/4" -20×5/8" bolt
K	4	Square washer
L	6	Long bolt
M	6	Wall anchor
N	6	Long bolt washer
O	8	9/16" Spacer



We are not responsible for any personal injury or product damage due to mishandling, incorrect mounting, incorrect assembly or incorrect use of this product.

Note: The supplied wall mounting hardware is not for use on steel stud walls or cold cinder block walls. If you are uncertain about the nature of your wall, please consult a qualified contractor. If the hardware you required is not included please contact your local hardware store .

Caution : This Product LCD /Plasma Wall Mount Bracket is intended for use only with the maximum weights indicated .See apparatus instructions .Use with products heavier than the maximum weights indicated may result in instability causing possible injury .

Step 1 : Attach bracket to TV

Check your TV manual to confirm the diameter of bolt to be used or choose an appropriate bolt according to size, height and position of the holes on your TV. See pages 5- 7 of these instructions for examples.

For correct installing, make sure that hook of every bracket must facing down. Use selected bolts, spacers and washers for installing bracket at the back of display. Adjust two brackets to equal heights and level. Once aligned, tightly secure the bolts.

IMPORTANT: Don't force the bolt into the hole, which will cause a damage of equipments and injure of person. Don't use electric drill to fasten any bolts.

Mounting to Wooden Stud

Determine the location where you want the display mounted on the wall. Use stud finder to locate and mark the center of the two studs. (Fig. 2b) Remove Plasma from box. Remove cantilever arm from Wall plate by wrench(8). (Fig. 2c)

NOTE: The cantilever arm is mounted at the end of the wall plate for shipping. Align center mounting holes of wall plate with center marks on studs. Using the wall plate as a template, mark the 6 mounting holes and center J box hole. Install J box as required.

NOTE: Electrical outlets should only be installed by a qualified electrician. Drill 6 mounting holes with 5mm bit. Mounting holes should be 80mm deep.

Mounting to Masonry/Concrete

Determine the location where you want the display mounted on the wall. Remove Plasma from box. Remove cantilever arm from Wall plate. (Fig. 2c) Using the wall plate as a template, mark the 6 mounting holes and center J box hole. Install J box as required.

NOTE: Electrical outlets should only be installed by a qualified electrician. Drill 6 mounting holes with 10mm masonry bit. Mounting holes should be a minimum of 80mm deep. Insert 6 wall anchors into holes, and tap flush with hammer.

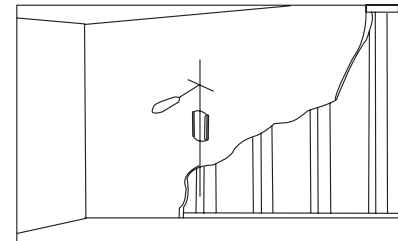


Fig 2b

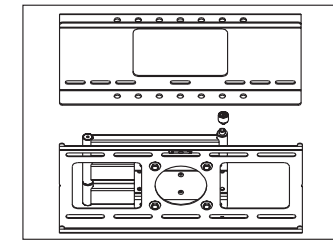


Fig 2c

Step 2: Attach mount to wall

First, determine the height of stand

The best height of stand is parallel to eyelevel of a person who sitting on a couch.

Normally, the horizontal distance of eyelevel is about 4' from ground level.

The following two conditions are for determining the perfect height of stand:

- 1) the distance between wall and couch (Fig 2a).
- 2) the distance of eyelevel from ground level plus the distance measured from eyelevel of a person sitting on couch with viewing angle of 15° (Fig 2a).

For example:

- 1) the distance of 'a' is 5'-7', the distance of 'b' is about 1'
- 2) the distance of 'a' is 8'-13', the distance of 'b' is about 3'
- 3) the distance of 'a' is 14'-17', the distance of 'b' is about 4'

The perfect height of stand centre will be anywhere within b, where you feel comfortable for viewing.

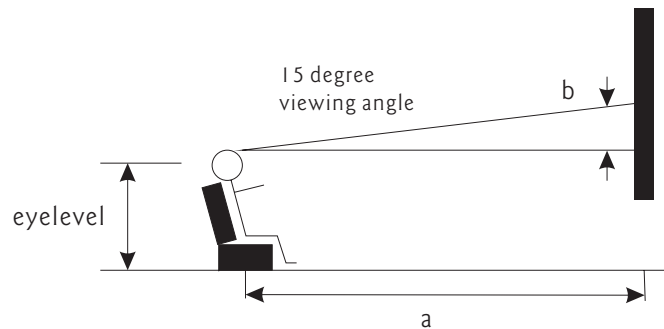


Fig 2a

After determining the height of stand, follow the installation instructions in below to install wall mount to different kinds of wall -wooden, brick, concrete and stone.

Following examples shows how to use bolts, spacers and square washers.

1. Some displays have vertical backs. No spacer is required. Install the bracket directly to the back of display by using bolts and square washers provided. As shown in Fig. 1a.

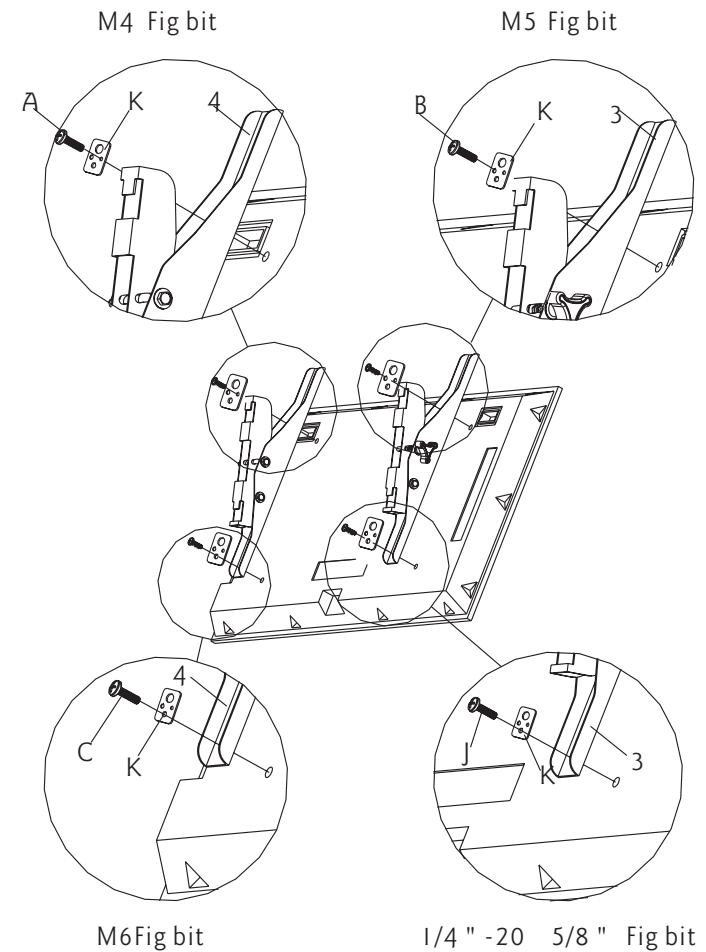


Fig 1a

2. Some displays have curved backs with recessed mounting lands (Fig. a). It will require the use of spacer. For this display, install a 9/16" spacer (O) between display and the bracket. As shown in Fig 1b.



Fig a

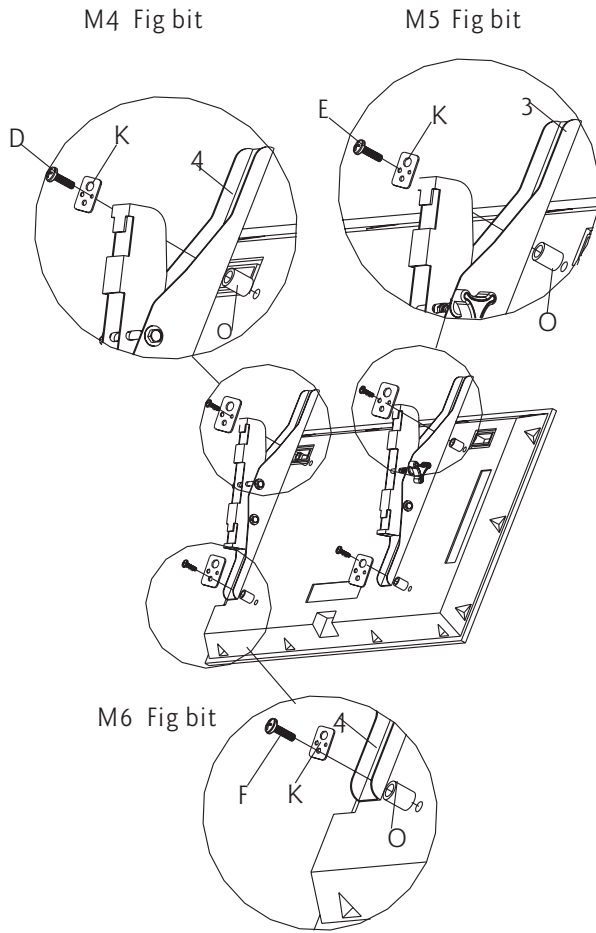


Fig 1b

3. For display with protruding HDTV tune or deeply curved backs (Fig b), two 9/16" spacers (O) should be used. Stack two spacers and then install them between display and the bracket. As shown in Fig 1c.

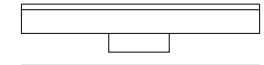


Fig b

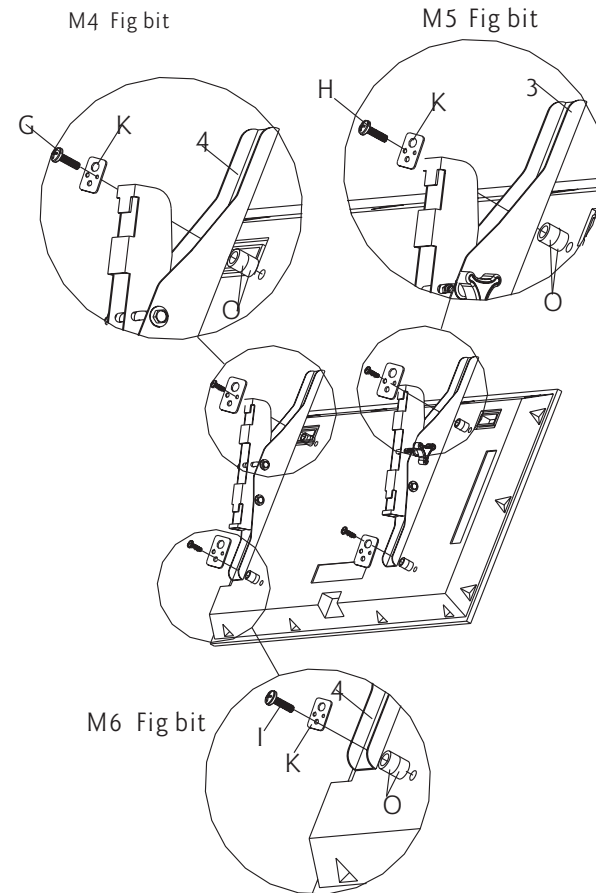


Fig 1c