

# SBB2

## Soundbar Mount Adaptor For TV Bracket

Item ref: 129.594UK

User Manual

A VESA compatible attachment for mounting onto an existing TV bracket to allow a soundbar to be supported directly beneath a TV. Eliminates the need for additional drilling. Fits VESA widths from 200 to 600.

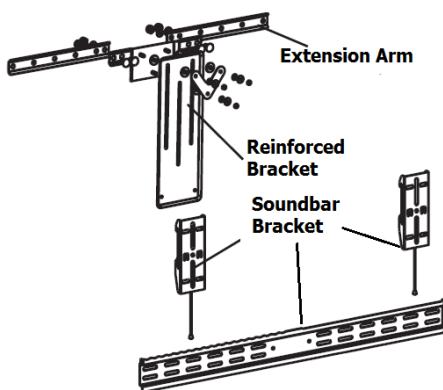
### Caution:

Please read this manual thoroughly to avoid damage to property or personnel. If unsure of any part of this manual please refer to professional installer for help:

- This product contains small components that could pose a choking hazard if swallowed, please keep out of reach of children.
- This product is designed for mounting on to a TV bracket. Please ensure your existing TV bracket is capable of supporting the weight of this adaptor plus your TV and soundbar.
- Safety gear such as gloves and safety goggles must be worn during the installation. A minimum of two people are required throughout the installation, failure to do so may result in injury or damage.
- This product is design for indoor use only. The bracket must be inspected at least every two months for loose joints or aged parts.

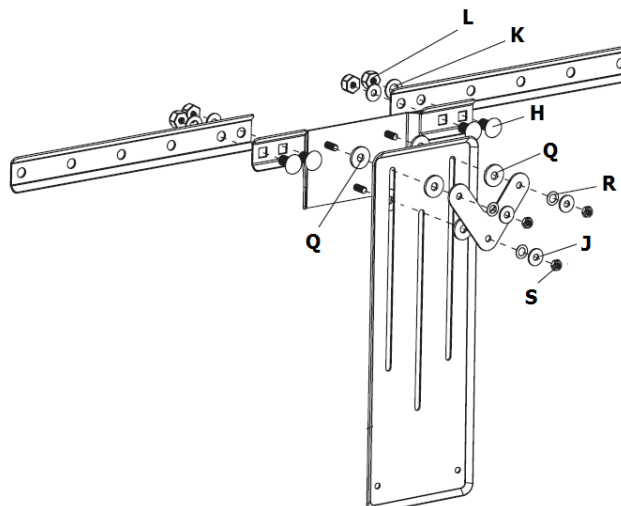
### Contents:

Please check all contents listed below are included inside the box. If anything is missing please return to the retailer or dealer.

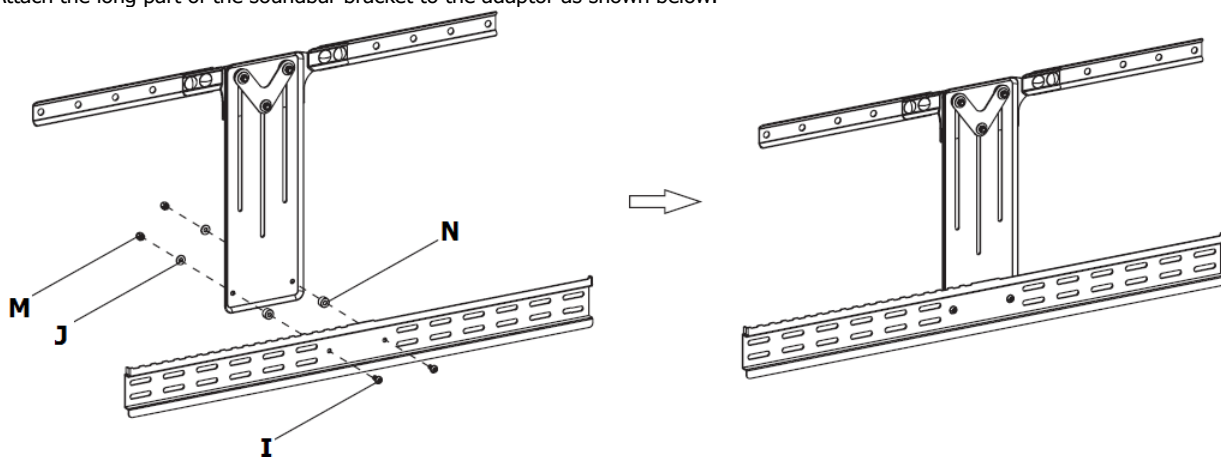


- **M4 25mm x 4(A), M5 25mm x 4(B), M6 25mm x 4(C), M8 25mm x 4(D), M4 12mm x 8(E), M5 12mm x 8(F), M6 12mm x 8(G)**
  - **Keyed M8 15mm x 4(H)**
  - **M5 16mm Hex Screw x 2(I)**
  - **M5 Washer x 13(J)**
  - **M8 Washer x 4(K)**
  - **M8 Nuts x 4(L)**
  - **M5 Nuts x 2(M)**
  - **Plastic Spacer x 2(N)**
  - **Plastic Spacer x 2(O)**
  - **Plastic Spacer x 2(P)**
  - **Washer x 6(Q)**
  - **Washer x 3(R)**
  - **Nuts x 3(S)**
- Allen Key x 1**  
**Spanner x 1**

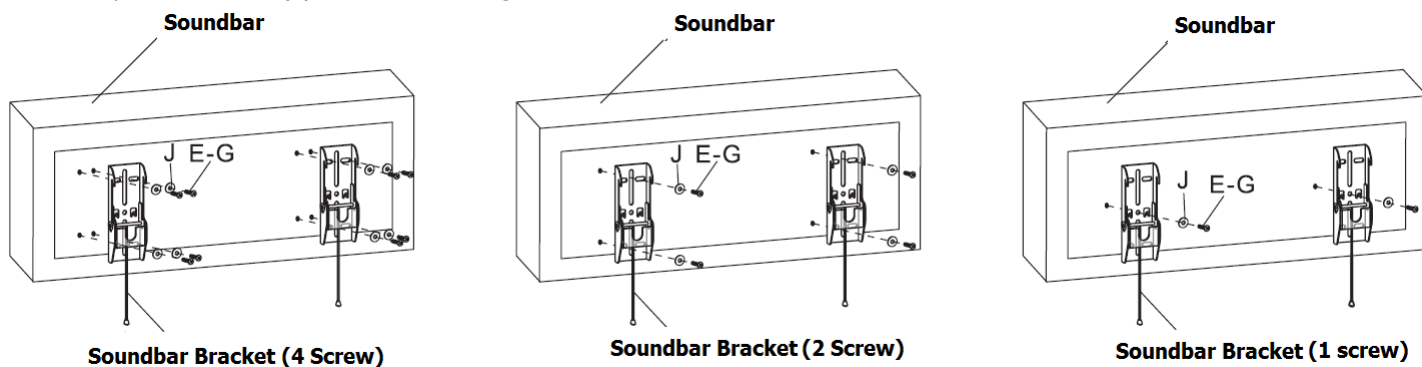
**Step 1** – Assemble the bracket as shown below. Please check The VESA width of your TV and bracket. Extension arms are only required if the width is larger than VESA 200.



**Step 2** – Attach the long part of the soundbar bracket to the adaptor as shown below.



**Step 3** – Check the back of the soundbar and identify the best mounting points. Install the soundbar bracket accordingly by 4, 2 or 1 screws per side. Does not require washer if M6(G) is used for mounting.



**Step 4** – install the adaptor between the TV and TV bracket as show below. Slot the TV on to the TV bracket and slot the soundbar onto the adaptor.

