

ILC4 and ILA4

Item ref: 153.702UK, 153.701UK

IN-LINE CONTROLLER AND AMPLIFIER FOR RGB LED TAPE

User Manual



WARNING: These products are intended for professional installation of RGB LED tape and should be connected by qualified personnel in accordance with electrical safety standards. Ensure that the rated load indicated is not exceeded.

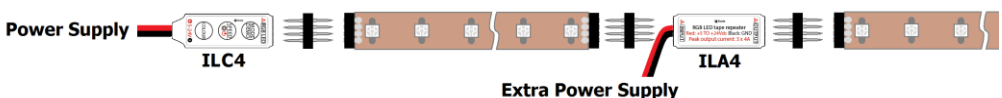
Installation

The ILC4 controller can be employed to control Fluxia RGB LED tape operating from a 5-24Vdc power supply. Maximum short term current load is rated at 3 x 4A. For constant full power output, it is advised to limit this to 3 x 2A load.

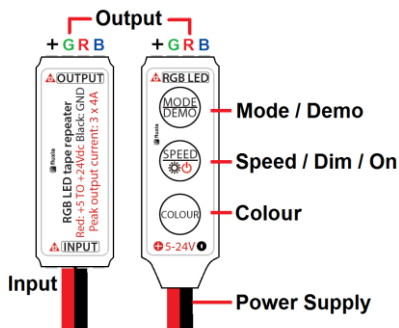
There are 2 versions of Fluxia RGB LED tape - 153.720UK has 60 LEDs per metre and 153.721UK has 30 LEDs per metre. It is recommended that each controller is connected to no more than 300 RGB LEDs (i.e 1 x 5m roll of 153.720UK or 2 x rolls of 153.721UK connected in parallel).

For longer runs, each subsequent roll should be linked on using the ILA4 amplifier. The ILA4 also accepts 5-24Vdc and connects from the end of a controlled length of RGB LED tape to the beginning of the next length of RGB LED tape to match the patterns/colours of the first tape. (also 3 x 4A peak, 3 x 2A continuous output)

Connection is via a 4-pin coupler, as supplied with Fluxia RGB LED tape. Ensure that the red triangle is connected to "+" or "Common" on the LED tape.



Controls



- To switch LEDs on or off, press and hold Speed/Dim/On button for 2 seconds
- Mode/Demo button steps through the 8 preset programmes in sequence (shown below)
- Pressing Speed/Dim/Colour cycles through 10 different speed levels
- Holding the Mode/Demo button for 2 seconds enters a demo mode, cycling through all presets
- Press the Colour button to enter static colour mode
- Pressing Colour again changes to one of 20 colours
- Pressing Speed/Dim/On in static colour mode dims the LEDs through 5 levels of brightness

Preset	Name	Description
1 - 2	Scrolls	2 types of scrolls through full spectrum of colours
3	RGB Glow	Fade between fully on and half through Red, Green, Blue
4	7 Colour Glow	Fade between fully on and half through 7 different colours
5 - 10	Static Glows	Glow presets for Blue, Cyan, Green, Red, White
11	RGB Jump	Switch between Red, Green and Blue
12	6 Colour Jump	Switch between 6 different colours
13	RGB Flash	Flash on and off through Red, Green and Blue
14 - 18	Static Strobes	Regular, very short burst for Blue, Cyan, Green, Red, White
19	RGB Strobe	Regular, very short burst through Red, Green, Blue

Specifications

Power supply	5-24Vdc, 12A (to supply 3 x 4A max – 50% duty cycle)
Lead length (power input)	100mm
Connections	4-pin socket (Common+ / Green / Red / Blue)
Controller dimensions	42 x 13 x 5mm
Weight	4.8g

*Errors and omissions excepted.
Copyright© 2014. AVSL Group Ltd.*