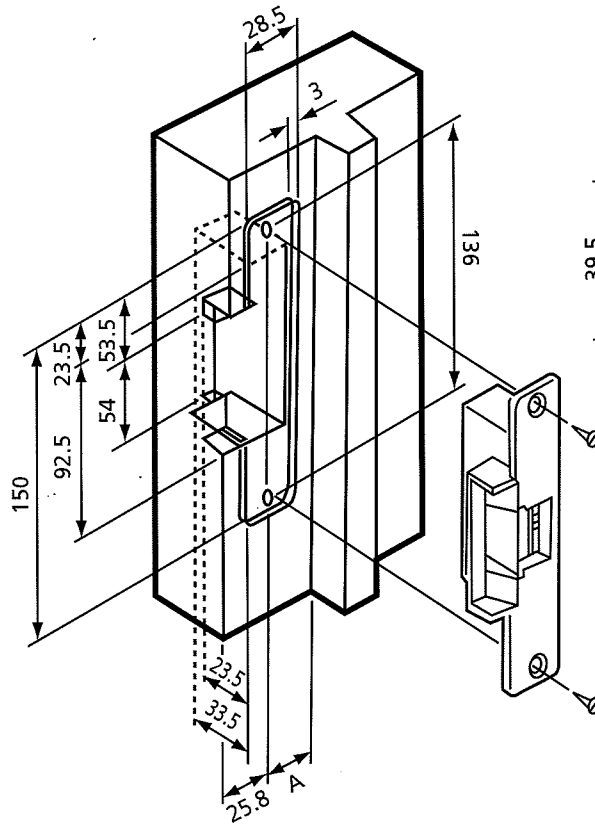
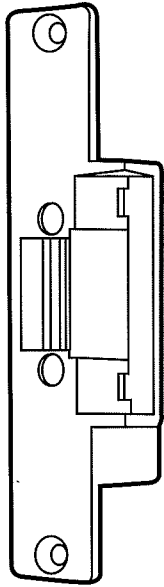
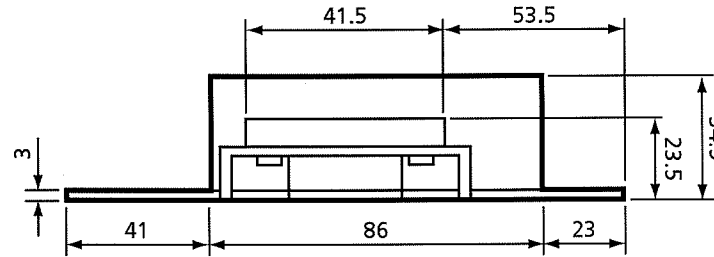
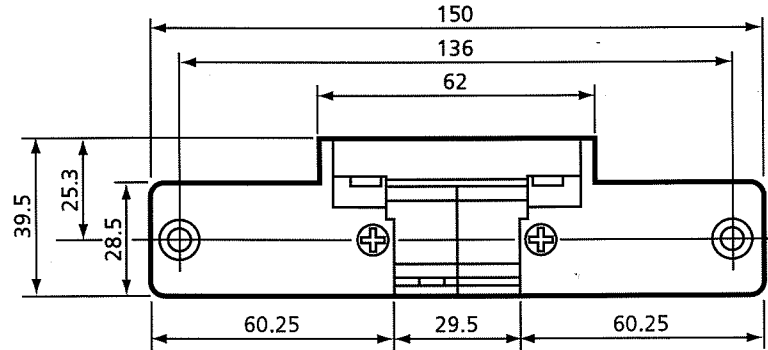


DOORCOM
ELECTRIC
DOOR CATCH

Model: DCLR



Dimensions



Installation

1. Please ensure that the door catch is fitted by a qualified person such as a locksmith.
2. Determine dimension "A" below from position of mortice latch in door edge.
3. Suitable for mortice latches only (not suitable for rim latches including Yale types).

3 Year Guarantee

In the unlikely event of this product becoming faulty due to defective material or manufacture within 3 years of the date of purchase, please return it to your supplier in the first year with proof of purchase and it will be replaced free of charge. For years 2 and 3 or any difficulty in the first year telephone the helpline on **020 8450 0515**.

For "A" see Installation (2).

HELPLINE

020-8450-0515

Specifications

Voltage: 12V DC
 Current: 820mA
 Application: Mortice locks only (not suitable for rim latches)
 Operation: Fail Secure (Locked when power OFF)



For a product brochure please contact:

Timeguard Ltd.

Victory Park, 400 Edgware Road,
 London NW2 6ND

020-8452-1112

or email csc@timeguard.com

67-058-234



Recycling

When service life is over please consult your local authority regarding method of disposal.

