

AXIAL BATHROOM FANS

EDM Series



EDM 80-EDM 80L



EDM 100



EDM 200

■ Description

The EDM Series of axial fans have been designed for domestic ventilation applications and are easy to install, offer quiet operation, aesthetically pleasing and are available with a variety of operational specifications. Air flow performances range from 80 up to 200 m³/hr.

The EDM Series are ideally suited for wall or ceiling mounted installations and for short duct run extract applications. To compliment the fans a wide range of ancillary accessories are available.

■ Range

The EDM Series consists of four different models: -

- EDM-80
- EDM-100
- EDM-160
- EDM-200


The EDM-80 is available in four different versions all with airflow performances of 80 m³/hr.

- EDM-80: Basic Model
- EDM-80 L: This model is designed to be fitted in the place of a natural ventilation grille, 10 x 20 cm.
- EDM-80 T and 80 LT: These two models are identical to the above with the addition of an adjustable Run-On-Timer facility. The timer can be varied between 1 – 30 minutes.
- The EDM-100 is available in twelve different versions all with airflow performances of 95 m³/hr.
- The EDM-100 S is the basic model, then other versions are available incorporating neon lights, adjustable or fixed run-on-timer, automatic shutter, pull cord switch, photoelectric cell operation, adjustable humidistat and glass mounting adapter.
- The EDM-100 12V are Safety Extra Low Voltage axial extractors for domestic bathroom, shower, and toilet areas. The fans are designed for the safe operation within water spray areas of bathrooms and toilet areas.
- The EDM-160 is available in two different versions all with airflow performances of 160 m³/hr.
- EDM-160: Basic Model.

- EDM-160 R: This model incorporates an adjustable period (2-20 mins) Run-On-Timer.
- The EDM-200 is available in seven different versions all with airflow performances of 180 m³/hr.
- The EDM-200 S is the basic model, then the other six models are available incorporating a neon light, adjustable or fixed Run-On-Timer, automatic shutter, pull cord switch and adjustable humidistat.

■ Construction

The EDM fan casings and impellers are manufactured from tough injection moulded plastic. The following standard specifications apply:

-  **Class II electrical insulation**
- **IP-X4 ("H" versions: IP-X2)**

All motors are single-phase, shaded pole, 230V – 50Hz.

These low consumption electric motors are protected against abnormal overheating:

- by impedance on the EDM-80 and EDM-100.
- by thermal fuse on the EDM-160 and EDM-200.

The maximum working ambient air temperature for the EDM series is 40 °C.

EDM-80 / EDM-80 L

NEW
"Z" versions with
ball bearings

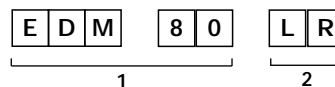


Applications

Designed specifically for the extraction of odours and moisture from toilets, bathrooms and all small rooms requiring ventilation.

The "Z" versions incorporate long life motors fitted with ball bearings.

Reference



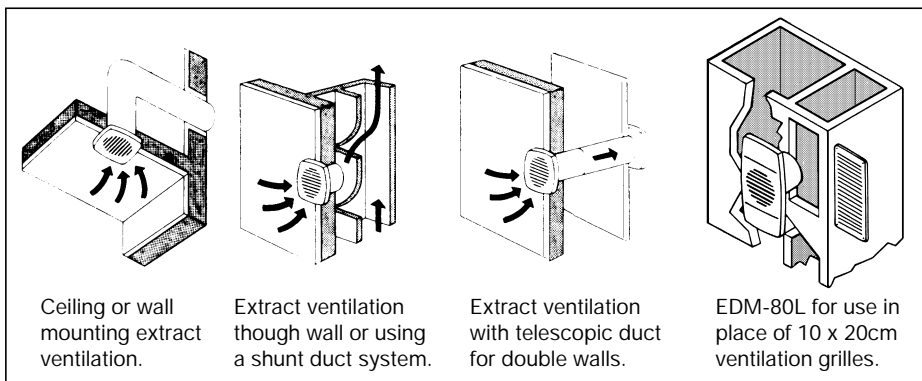
- 1 - Model series
- 2 - Model "options"
 - R - Run-On-Timer
 - L - Replacement grille format configuration
 - LR - Model L with Run-On-Timer
 - Z - Motor with ball bearings

Technical characteristics

Model Type	Speed (r.p.m.)	Maximum power absorbed (W)	Voltage (V) 50 Hz	Maximum air flow (m ³ /h)	Sound pressure level (dB(A))*	Weight (kg)	
EDM-80 / 80 Z	2500	13	220-240	80	33	0,4	☐ IP-X4
EDM-80 L / 80 LZ	2500	13	220-240	80	33	0,4	☐ IP-X4
EDM-80 R / 80 RZ	2500	13	220-240	80	33	0,4	☐ IP-X4
EDM-80 LR / 80 LRZ	2500	13	220-240	80	33	0,4	☐ IP-X4

* At 1,5 m distance

Installation



Ceiling or wall mounting extract ventilation.

Extract ventilation through wall or using a shunt duct system.

Extract ventilation with telescopic duct for double walls.

EDM-80L for use in place of 10 x 20cm ventilation grilles.

Accessories



GSA 100
Flexible aluminium duct

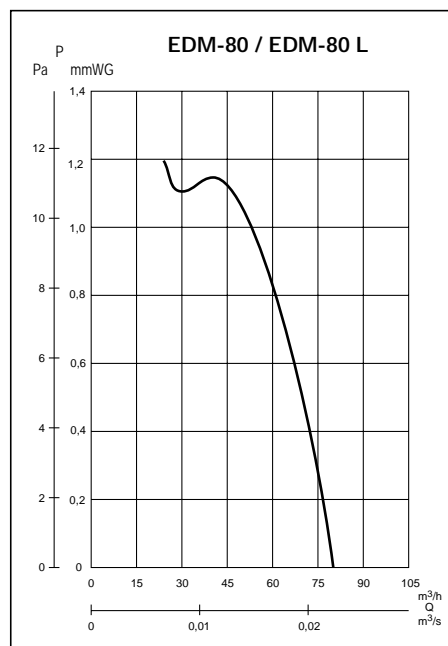


Wall kit with fixed or automatic shutter.

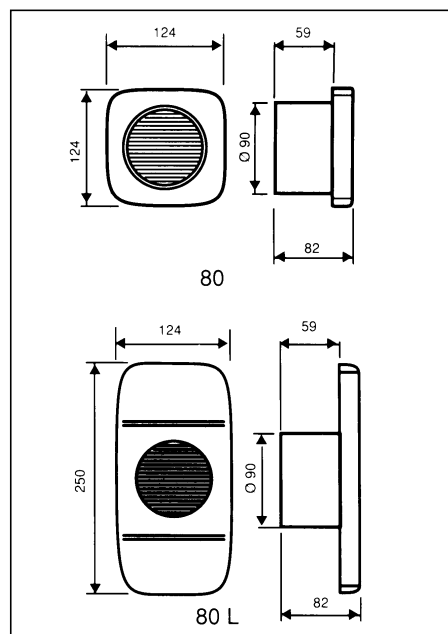


CX 125
Worm drive ducting clips.

Performance curve



Dimensions (mm)



EDM-100

Model Options



EDM-100 C



EDM-100 CH



EDM-100 VM

EDM-100S

Basic Model

EDM-100 T

The same characteristics as the basic model and in addition:

- Neon pilot light, power-on indication.
- Fixed period (8 mins) Run-On-Timer.

EDM-100 R

The same characteristics as the basic model and in addition:

- Neon pilot light, power-on indication.
- Adjustable period (2-20 mins) Run-On-Timer.

EDM-100 H

The same characteristics as the basic model and in addition:

- Neon pilot light, power-on indication.
- Adjustable Humidistat (between 65-90% and RH). When the level of humidity rises above the selected level, the fan is automatically switched On.

EDM-100 C

The same characteristics as the basic model and in addition:

- Neon pilot light, power-on indication.
- Automatic back draft shutter.

EDM-100 CT

The same characteristics as the EDM-100 C model and in addition:

- Fixed period (8 mins) Run-On-Timer.

EDM-100 CR

The same characteristics as the EDM-100 C model and in addition:

- Adjustable period (2-20 mins) Run-On-Timer.

EDM-100 EC

The same characteristics as the EDM-100 C model and in addition:

- Adjustable period (2-20 mins) Run-On-Timer.
- Photoelectric cell enabling the automatic operation of the fan by light detection.

EDM-100 CH

The same characteristics as the basic model and in addition:

- Adjustable Humidistat (between 65-90% and RH). When the level of humidity rises above the selected level, the fan is automatically switched On.
- Pull cord switch.

EDM-100 M

The same characteristics as the basic EDM-100 S model and in addition:

- Neon pilot light, power-on indication.
- Automatic back draft shutter.
- Pull cord switch.

EDM-100 VM

The same characteristics as the basic EDM-100 S model and in addition:

- Neon pilot light, power-on indication.
- Automatic back draft shutter.
- Pull cord switch.
- Spacer to facilitate mounting the fan in all types of glass (single and double glazed)
- Hole diameter: 106mm

EDM-100 VMH

The same characteristics as the basic EDM-100 VM model and in addition:

- Adjustable Humidistat (between 65-90% and RH). When the level of humidity rises above the selected level, the fan is automatically switched On.

Features/Models	EDM-100 S	EDM-100 T	EDM-100 R	EDM-100 H	EDM-100 C	EDM-100 CT	EDM-100 CR	EDM-100 EC	EDM-100 CH	EDM-100 M	EDM-100 VM	EDM-100 VMH
Neon pilot light		•	•	•	•	•	•	•	•	•	•	•
Fixed period Run-On-Timer		•				•						
Adjustable period Run-On-Timer			•				•	•				
Automatic shutter					•	•	•	•	•	•	•	•
Photoelectric cell								•				
Adjustable humidistat				•					•			•
Pull cord switch				•					•	•	•	•
Adaptation for glass											•	•
Exterior grille											•	•

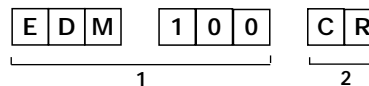
EDM-100



Applications

The EDM-100 models are suitable for the extraction of odours and moisture from toilets, bathrooms and all small rooms requiring ventilation.

Reference



- 1 - Model series
- 2 - Model options, see following page

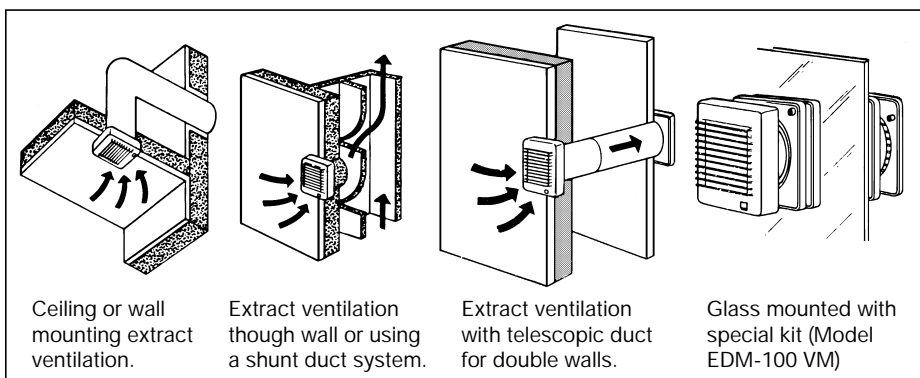
Technical characteristics

Model type	Speed (r.p.m.)	Maximum power absorbed (W)	Voltage (V) 50 Hz	Maximum air flow (m ³ /h)	Sound pressure level (dB(A))*	Weight (kg)	
EDM-100	2450	13	230	95	40	0,48	<input type="checkbox"/> IP-X4**

* At 1,5 m distance.

** "H" Versions: IP-X2

Installation



Accessories



GSA 100
Flexible aluminium duct



GRA
Aluminium exterior grille



CX 125
Worm drive ducting clips



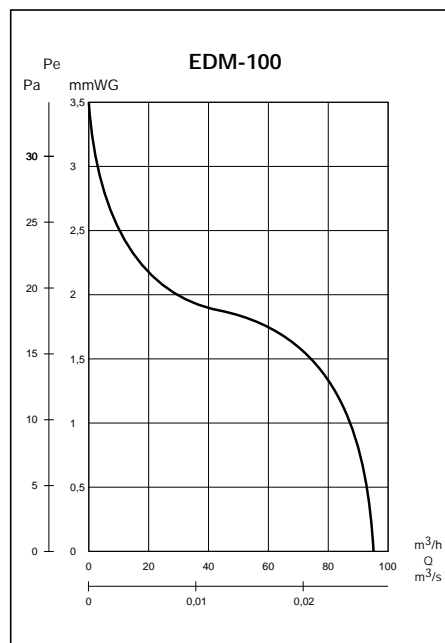
Wall kit with fixed or automatic shutter



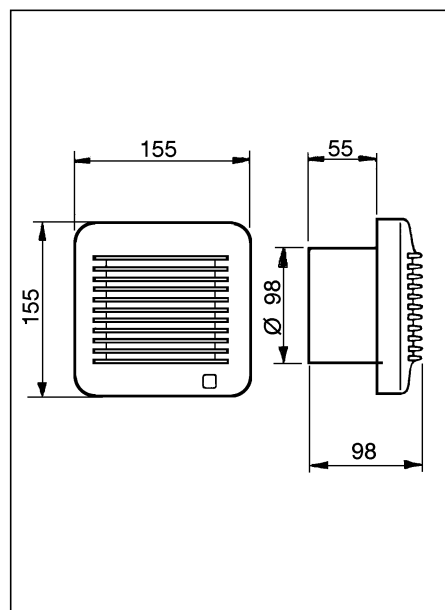
PER
Back draft shutter

CM 130
Over pressure shutter

Performance curve



Dimensions (mm)



EDM-100-12V



Construction

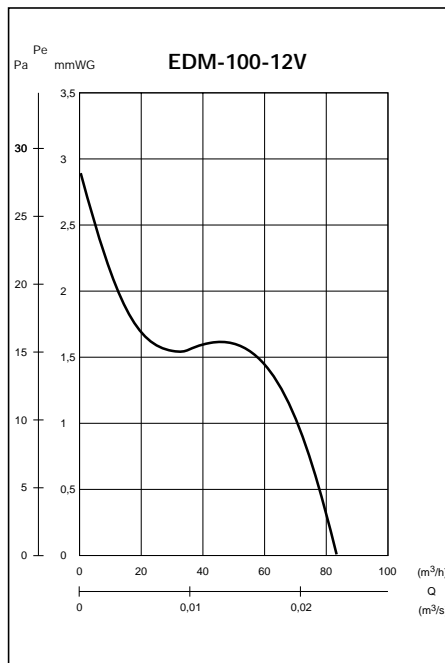
The EDM-100-12V models are designed for operation at SELV (Safety Extra Low Voltage), allowing them to be installed within the shower or bath volume with total safety. They are rated IP-57 and Class III. They must be wired to a safety transformer CT-12/14 or CT-12/14R 230V / 12V

The range includes the following models:

- EDM-100 S 12V (basic model)
- EDM-100 C 12V (model with automatic back draught shutter and neon pilot light power-on indication).

The fans must be operated through a safety operated transformer 230V / 12V (model CT-12/14).

Performance curve



Technical characteristics

Model Type	Speed (r.p.m.)	Maximum power absorbed (W)	Voltage (V) at 50 Hz	Maximum air flow (m³/h)	Sound pressure level (dB(A))*	Weight (kg)	
EDM-100S-12V	2100	7	12	85	37	0,48	⊕ IP-57
EDM-100C-12V	2100	11	12	85	37	0,48	⊕ IP-57

* At 1,5 m distance

Accessories



Transformer CT-12/14

Safety isolating transformer which must be used with the EDM-100-12V fans and should be located out of the reach of the water spray or person using a bath or shower.

- Supply Voltage / Output Voltage: 230V / 12V 50Hz single phase.
- IP21. Class II double insulated appliance.
- Incorporates an internal fuse (replaceable).

Transformer CT-12/14 R with run-on timer

Same characteristics as CT-12/14, incorporating an adjustable timer between 1 and 30 min.



GRA-70
Aluminium exterior grille



PER-100W
Exterior back draft shutter



GSA-100
Flexible aluminium duct

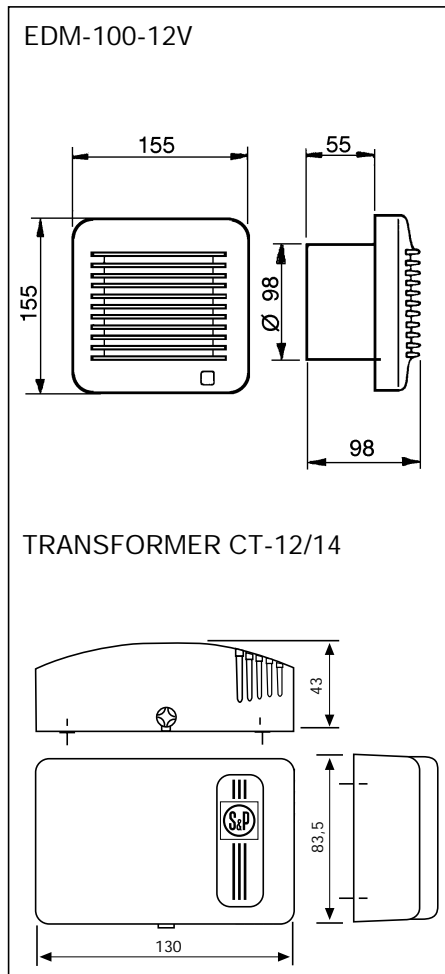


Wall kit with fixed or automatic shutter



CX-125
Worm drive ducting clips

Dimensions (mm)



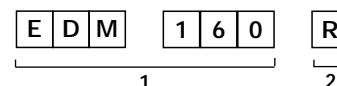
EDM-160



Applications

Extraction of odours and moisture from toilets, bathrooms and all small rooms requiring ventilation.

Reference



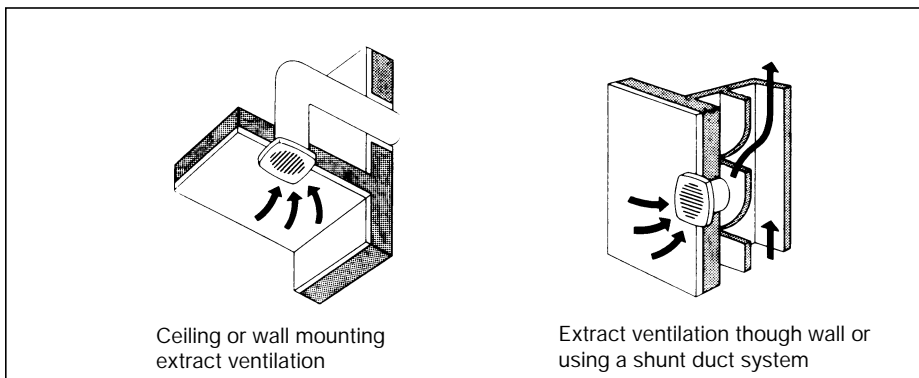
- 1 - Model series
- 2 - Model options
 - R : Adjustable period (2-20 mins) Run-On-Timer

Technical characteristics

Model Type	Speed (r.p.m.)	Maximum power absorbed (W)	Voltage (V) 50 Hz	Maximum air flow (m ³ /h)	Sound pressure level (dB(A))*	Weight (kg)	
EDM-160	2500	35	230	160	46	1	☐ IP-X4
EDM-160 R	2500	35	230	160	46	1	☐ IP-X4

* At 1,5 m distance

Installation



Ceiling or wall mounting extract ventilation

Extract ventilation through wall or using a shunt duct system

Accessories



GSA
Flexible aluminium duct



PER
Back draft shutter
CM 130
Back draft shutter

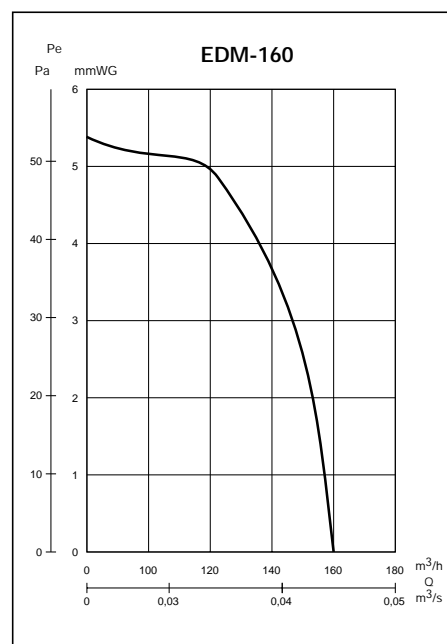


CX
Worm drive ducting clips

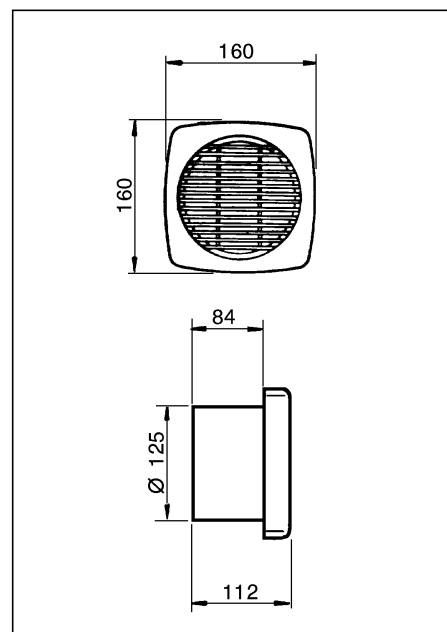


GRA
Aluminium exterior grille

Performance curve



Dimensions (mm)

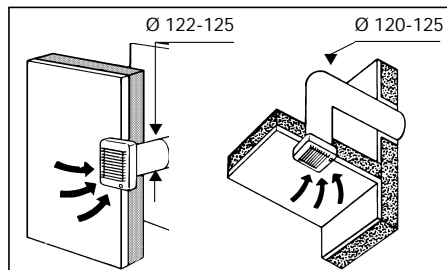


EDM-200



Applications - Installation

The EDM-200 models are suitable for the extraction of odours and moisture from large toilets, bathrooms, utility and all small rooms requiring ventilation.

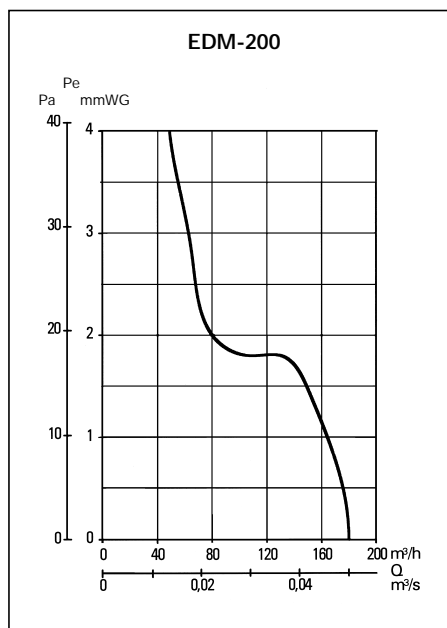


Technical characteristics

Model Type	Speed (r.p.m.)	Maximum power absorbed (W)	Voltage (V) 50 Hz	Maximum air flow (m ³ /h)	Sound pressure level* (dB(A))	Weight (kg)	
EDM-200	2500	25	220-240	180	46	0,9	☐ IP-X4**

* At 1,5 m distance.
** "H" Versions: IP-X2.

Performance curve



Models

Features/Models	EDM-200 S	EDM-200 T	EDM-200 H	EDM-200 C	EDM-200 CT	EDM-200 CR	EDM-200 CH
Neon pilot light		•	•	•	•	•	•
Fixed period Run-On-Timer		•			•		
Adjustable period Run-on-Timer						•	
Automatic shutter				•	•	•	•
Adjustable humidistat			•				•
Pull cord switch			•				•

Accessories



GSA
Flexible aluminium duct



PER
Back draft shutter

CM 130
Back draft shutter



CX
Worm drive ducting clips



GRA
Aluminium exterior grille

Dimensions (mm)

