

| | |
|---------------------|---|
| Model Article Code | CVAT PACK 7 |
| Model Description-1 | CVAT/4-9000/500 ND |
| Model Description-2 | Centrifugal Inline Acoustic Box Fan with pre-configured Variable Frequency Drive speed controller (VFD) supplied packaged as standard. Suitable for circular ductwork (500mm diameter). Requires 1PH 230V 50Hz electrical supply. |
| Applications. | Commercial kitchen canopy extract systems. |
| Features & Benefits | <p>Robust centrifugal backward inclined impeller matched with an energy efficient 3PH motor (fan).</p> <p>Supplied as standard with a 1PH-3PH Variable Frequency Drive (VFD) speed controller, pre-configured for precise operation with S&P 3PH CVAT fan.</p> <p>Motor overload protection provided by pre-configured VFD.</p> <p>Low noise levels. Includes fireproof insulated interchangeable panels.</p> <p>Suitable for duct airstream temperatures up to 40 °c.</p> <p>3 Year warranty</p> |

| | | | | | | | | | |
|-----------------|------------|------------|------------|------------|------------|------------|------------|------------|------------|
| Pressure | 0 | 50 | 100 | 150 | 200 | 250 | 300 | 350 | 400 |
| Airflow | 2.267 | 2.203 | 2.138 | 2.072 | 2.003 | 1.929 | 1.849 | 1.756 | 1.639 |
| Pressure | 450 | 500 | 550 | 600 | | | | | |
| Airflow | 1.504 | 1.373 | 1.229 | 1.031 | | | | | |

Pressure = Pa

Airflow = m³/s

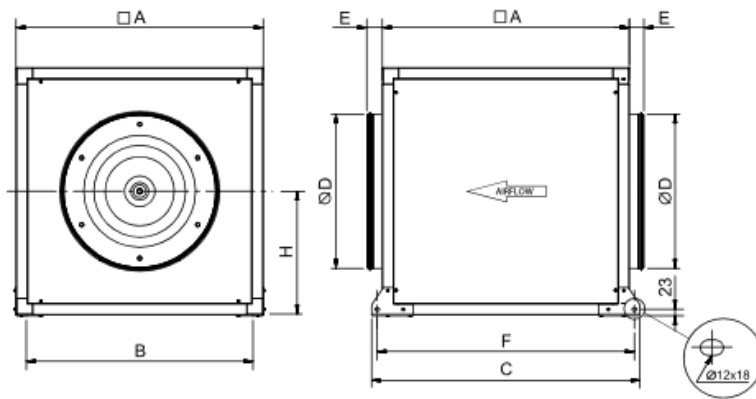
| Nom RPM | Max W | Max A | Max Airflow m³/s | Sound dB(A) @ 3m | Weight Kg | Circ. Duct Connect mm | Electrical Supply to VFD Controller |
|----------------|--------------|--------------|------------------------------------|-------------------------|------------------|------------------------------|--|
| 1480 | 1347 | 4.3 | 2.267 | 48 | 58.0 | 500 | 1PH 230V 50Hz |

| Accessories | |
|---------------------|--|
| Model Article Code | 5138921300 |
| Model Description-1 | ACOPEL F400 500/160N |
| Model Description-2 | Flexible circular duct connectors (500mm Dia). Optional accessory for connecting CVAT fan to rigid circular ducting to isolate any vibration transmission. Supplied x1 each. |
| Model Article Code | 5137265500 |
| Model Description-1 | CTI CVA-N 500 |
| Model Description-2 | Outdoor cover for use when installing the CVAT fan outside. Supplied x1 each. |
| Model Article Code | 5130861700 |
| Model Description-1 | KSE-45 Anti-vibration Mounts. |
| Model Description-2 | Anti-vibration mounts for isolating potential vibrations from CVAT fans. Supplied x4 per pack. |
| Model Article Code | 5401304100 |
| Model Description-1 | REB-CVF (Remote Mount Speed Control) |
| Model Description-2 | Remote mounted, single-gang size, ON/OFF switch and infinitely variable speed controller. Suitable for use when either VFD is too |

| | |
|---------------------|---|
| | large or client requires smaller, more aesthetic, controller located at kitchen level. |
| Model Article Code | L100000681 |
| Model Description-1 | Cook Prep Switch. |
| Model Description-2 | Simple ON/OFF, and High/Low fan speed control functions. High/Low speeds defined at VFD as needed. |

| Dimensions | A | B | C | D | E | F | H |
|--------------|------|------|------|------|----|------|-----|
| 1400 250ND | 500 | 457 | 574 | 250* | 58 | 534 | 250 |
| 2000/315ND | 500 | 457 | 574 | 315* | 58 | 534 | 250 |
| 3000/355 ND | 650 | 607 | 724 | 355* | 58 | 684 | 325 |
| 4000/400 ND | 650 | 607 | 724 | 400* | 58 | 684 | 325 |
| 6000/450 ND | 750 | 707 | 824 | 450* | 58 | 784 | 375 |
| 6000/500 ND | 650 | 607 | 724 | 500+ | 58 | 684 | 325 |
| 9000/500 ND | 800 | 757 | 874 | 500* | 58 | 834 | 400 |
| 12000/560 ND | 900 | 826 | 977 | 560* | 58 | 937 | 450 |
| 16000/630 ND | 1000 | 959 | 1077 | 630* | 58 | 1037 | 500 |
| 15000/710 ND | 1100 | 1059 | 1177 | 710* | 58 | 1137 | 550 |

DIMENSIONS (mm)



* 6000/500 ND

