

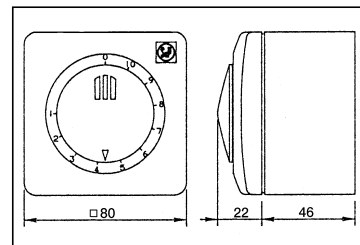
# ELECTRICAL ACCESSORIES



## ■ Speed Controllers REB-1N and REB 2,5N

Electronic single-phase speed controllers:

- Available in Wall Box or Flush Mount versions.
- Fuse protected + spare fuses included.
- Radio interference protected.
- Minimum speed adjustment.
- Single ON/OFF and speed regulation control knob.



Type	Electrical supply		IP protection	Power (VA)	Maximum current (A)	Electrical insulation class	Operating temperature range
	Frequency (Hz)	Voltage (V)					
REB-1N	50	220-240	IP-44	220	1	II (□)	0-40°C
REB-2,5N				550	2,5		

### Flush mounted version

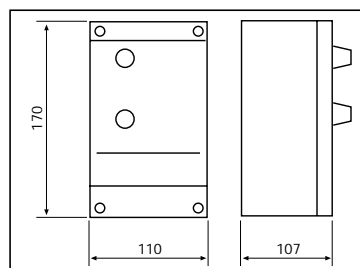
Type	Electrical supply		IP protection	Power (VA)	Maximum current (A)	Electrical insulation class	Operating temperature range
	Frequency (Hz)	Voltage (V)					
REB-1NE	50	220-240	IP-44	220	1	II (□)	0-40°C
REB-2,5NE				550	2,5		



## ■ Speed Controller REB-4 Auto

The REB-4 Auto is a single phase electronic fan speed regulator that varies the speed of the fans proportionally (by electronic voltage regulation) depending upon the temperature of the environment in which the temperature sensor (included) is installed.

- Adjustable fan minimum fan speeds.
- Fuse protected + spare fuses included.
- Radio interference protected.
- Temperature band regulation (temperature difference between minimum and maximum fan speeds).
- Minimum power load 100W.



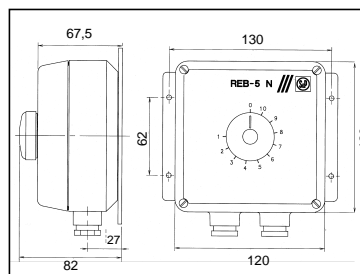
Type	Electrical supply		IP protection	Power (VA)	Maximum current (A)	Electrical insulation class	Operating temperature range
	Frequency (Hz)	Voltage (V)					
REB-4 Auto	50	220-240	IP-55	880	4	II (□)	10-45°C



## ■ Speed Controller REB-5N

Electronic single-phase speed controller:

- Wall mounted.
- Fuse protected + spare fuses included.
- Radio interference protected.
- Minimum speed adjustment.
- Single ON/OFF and fan speed regulation control knob.



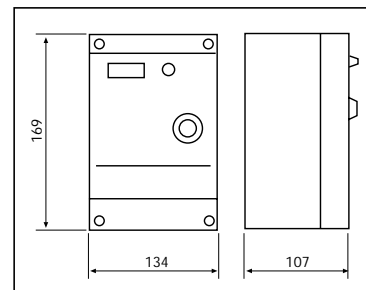
Type	Electrical supply		IP protection	Power (VA)	Maximum Current (A)	Electrical insulation class	Operating temperature (°C)
	Frequency (Hz)	Voltage (V)					
REB-5N	50	220-240	IP-44	1100	5	II (□)	0-40°C



### Speed Controller REB-5 Auto

The REB-5 Auto is a single phase electronic fan speed regulator using a microprocessor that varies the speed of the fan by electronic voltage regulation continuously or depending upon the temperature of the environment in which the thermal sensor is installed.

- Adjustable minimum fan speeds
- Digital temperature display.
- Temperature alarm.
- Fuse protected + spare fuses included.
- Radio interference protected.
- Temperature band regulation (temperature difference between minimum and maximum fan speeds).
- Minimum power load 100W.
- Temperature accuracy +/- 0.3° C.



Type	Electrical supply		IP protection	Power (VA)	Maximum current (A)	Electrical insulation class	Operating temperature range
	Frequency (Hz)	Voltage (V)					
REB-5 Auto	50	220-240	IP-55	1100	5	II (□)	5-45°C



### Speed Control by Auto-transformer

#### Single-phase: RMB (230V):

The RMB range consists of 4 models which use a 5 step auto-transformer to regulate the voltage (and therefore speed) of the fan.

Type	Maximum intensity (A)
RMB-1,5	1,5
RMB-3,5	3,5
RMB-8	8
RMB-10	10

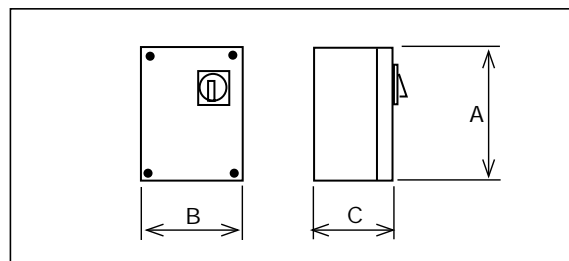
All models are fitted with an, "automatic position- A," allowing ON/OFF control through an external 230V 50Hz signal i.e. thermostat, PIR, Humidistat etc.

#### Three-phase: RMT (230/400V)

The RMT range consists of 4 models which use a 5 step auto-transformer to regulate the voltage to the fan.

Type	Maximum intensity (A)
RMT-1,5	1,5
RMT-3,5	3,5
RMT-8	8
RMT-12	12

All models are fitted with an, "automatic position- A," allowing ON/OFF control through an external 230V 50Hz signal i.e. thermostat, PIR, Humidistat etc.



	A	B	C	Weight (kg)
RMB-1,5				3
RMB-3,5	220	168,5	107	4
RMT-1,5				6
RMB-8				10
RMB-10				12
RMT-3,5	300	247	200	13,7
RMT-8				20,5
RMT-12	400	300	205	30

# ELECTRICAL ACCESSORIES

Electrical accessories



## ■ ON/OFF Electrical Isolation Switch

ON/OFF Electrical Isolation Switch  
 - Rotary ON/OFF switch type.  
 - Maximum current: 20A

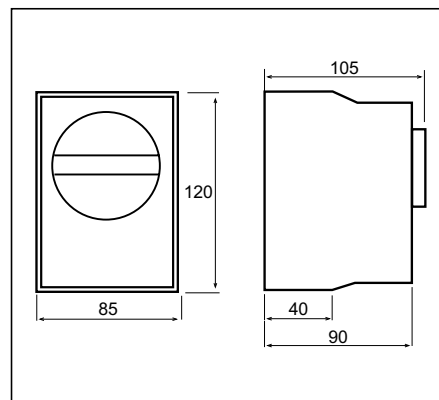
- Two versions available:

### Five (5) Pole electrical isolation switch.

- Motors with 5 or less wires.
- IP66 / IP67
- 3 x 380V, 440V

### Eight (8) Pole electrical isolation switch.

- Motors with 8 or less wires.
- Includes two auxiliary contacts.
- IP65
- 3 x 380V; 440V



Accessories

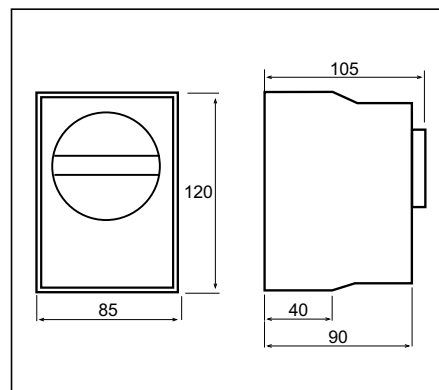


## ■ Three Phase Fan $\lambda/\Delta$ Switch (SD-2)

Rotary switch with 3 positions: Off,  $\lambda$  and  $\Delta$ .  
 Controls the operation of three-phase  $\lambda$  and  $\Delta$  fans.

- Suitable for fans of frequency 50Hz.
- IP 55 Protection.

Supply voltage	Voltage of motor
380-400 V	III/380/50
	III/400/50
220-230 V	III/220-380/50
	III/230-400/50

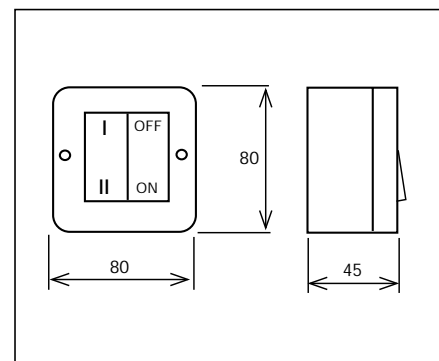


## ■ Two Speed Switches



### ■ REGUL-2

- Fan ON/OFF and speed selector I / II switch.
- Max. current rating 2.0 A.

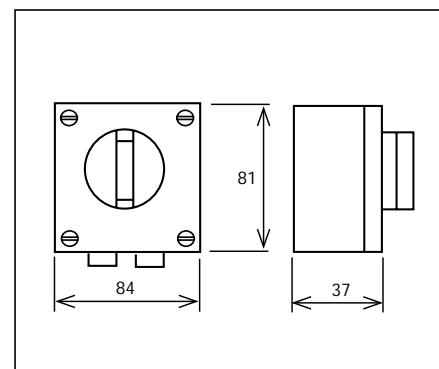


### ■ COM-2

- Fan OFF and speed selector I / II rotary switch:

- (0) OFF.
- (I) First speed.
- (II) Second speed.

- Max. current rating 2.0 A.



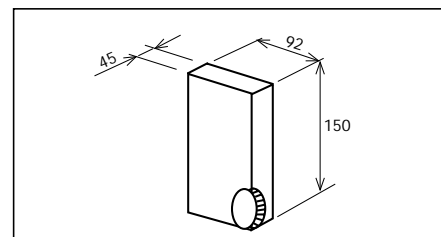
## ELECTRICAL ACCESSORIES



### ■ Single Phase Electrical Heater Battery Controller REG-6

Electric heater battery controller for single or two phase MBE and IBE heaters. The unit is designed to be connected in series between the power supply and the electric heater.

The REG-6 triac controller regulates the heat output from the electric heater battery in order to maintain a constant (pre-selected) temperature. The REG-6 incorporates a built-in room temperature controller with an input for an external sensor (duct or room).



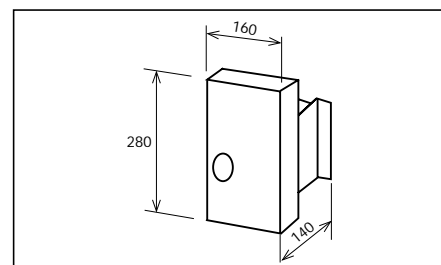
Frequency (Hz)	Supply voltage (VAC)	IP protección	Voltage (V)	Minimum		Maximum		Operating temperature (°C)
				Current (A)	Power (W)	Current (A)	Power (W)	
50-60	220-415	IP-20	230 V	1	230	16	3680	0-50 °C
			400 V	1	400	16	6400	



### ■ Three Phase Electrical Heater Battery Controller REG-16

The REG-16 electric heater battery triac controller suitable for Three Phase heaters up to 16.5kW. The REG-16 triac controller regulates ON/OFF only the heat output from the electric heater battery in order to maintain a constant (pre-selected) temperature. The unit incorporates a built-in room temperature controller with an input for an external sensor (duct or room) or signal.

To connect up to 30.0kW heaters the RA\* (ON/OFF) one stage control module should be used. The heat load is then split into two whereby the REG-16 controls up to 16.5kW and the RA\* the remaining 13.5kW of the load.



\*The model RA module connects directly with the REG-16 controller.

Frequency (Hz)	Electrical supply		Voltage (V)	Minimum		Maximum		Operating temperature (°C)	Thermostat adjustment (airtemp)
	Supply voltage (VAC)	IP protection		Current (A)	Power (W)	Current (A)	Power (W)		
50-60	380-415	IP-20	230 V	-	1,5	16	16,5	0-50 °C	0-30 °C
			400 V						

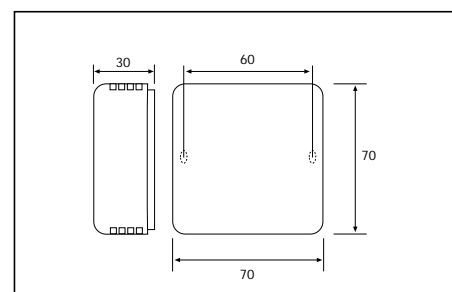


### ■ Room Temperature Sensor STA

The STA room temperature sensor can be used in conjunction with REG-6 electric heater controllers and MBE and IBE electric heater batteries.

- NTC Type, with liner scale.

Type	IP protection	Operating temperature
STA	IP-20	0-30 °C



# ELECTRICAL ACCESSORIES

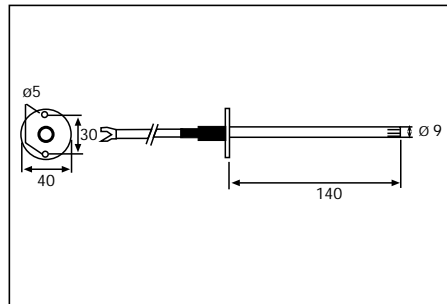
Electrical accessories



## ■ Duct Temperature Sensor STC

The STC duct temperature sensor can be used in conjunction with REG-6 electric heater controllers and MBE and IBE electric heater batteries.

- NTC Type, with liner scale.



IP protection	Operating temperature range
IP-20	0-30 °C

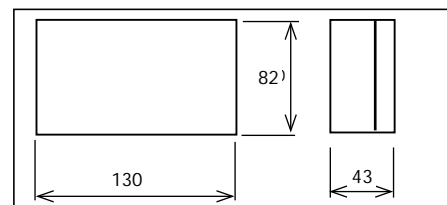
Accessories



## ■ 230 VAC - 12 VAC Transformer

CT-12/14 transformer for use with S&P Low Voltage EDM Bathroom & Toilet extract fans.

- Safety isolating transformer.
- Fuse Protection.
- Supply voltage 230 VAC;
- Output voltage 12 VAC 50 Hz.



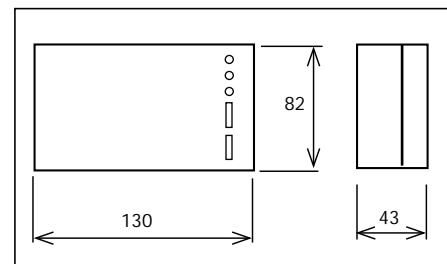
Electrical supply		IP protection	Electrical insulation class	Power (V.A.)	Output voltage (V)
Frequency (Hz)	Supply voltage (VAC)				
50	220-240	IP-21	II (□)	14	12



## ■ Humidistat HIG-2

Enables the automatic ON/OFF operation of an extract fan by monitoring the Relative Humidity level.

- Adjustable pre-set RH level 60-90%.
- Automatically switches the fan ON or OFF.



IP protection	Electrical insulation class	Maximum current (A)	Operating temperature	Humidity adjustment
IP-21	II (□)	6 (2)	0-40 °C	60-90%

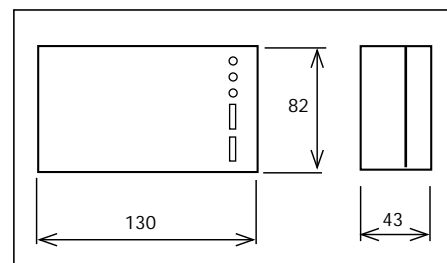


## ■ Air Quality Sensor SQA

Automatically switches the fan on when the quality of the ambient air deteriorates below an acceptable level due to fumes, odours, tobacco, smoke, or dampness etc. The SQA an adjustable Run-On-Timer facility, which enables the fan to operate for a pre-selected time period after the air quality sensor has switched OFF.

### Important:

This sensor MUST NOT be used to detect combustible gases or fires and in connection with any safety alarm systems.



IP protection	Electrical insulation class	Maximum current (A)	Operating temperature	Timer adjustment (mm)
IP-21	II (□)	6 (2)	0-50°C	1-25