

**D** STEINEL-Schnell-Service  
Dieselstraße 80-84  
33442 Herzbrock-Clarholz  
Tel.: +49/5245/448-188  
Fax: +49/5245/448-197  
www.steinell.de

**A** I. MÜLLER  
Peter-Paul-Str. 15  
A-2201 Gerasdorf bei Wien  
Tel.: +43/2246/2146  
Fax: +43/2246/25466  
info@imueller.at

**CH** PUAG AG  
Oberebenestrasse 51  
CH-5620 Bremgarten  
Tel.: +41/56/6488888  
Fax: +41/56/6488880  
info@puag.ch

**GB** STEINEL U. K. LTD.  
37, Manasty Road  
Orton Southgate  
GB-Peterborough PE2 6UP  
Tel.: +44/1733/238-265  
Fax: +44/1733/238-270  
steinell@steinelluk.com

**IRL** STC SOCKET TOOL COMPANY Limited  
8, Queen Street, Smithfield  
IRL-Dublin 7  
Tel.: +353/1/8725433  
Fax: +353/1/8725195  
sockettool@eircom.net

**F** DUVAUCHEL S.A.  
ACTICENTRE - CTR 2  
Rue des Famards - Bat. M - Lot 3  
F-59818 Lesquin Cedex  
Tél.: +33/3/20303400  
Fax: +33/3/20303420  
info@duvauchel.com

**NL** VAN SPIJK AGENTUREN BV  
Postbus 2  
NL-5688 ZH Oirschot  
De Scheper 260  
NL-5688 HP Oirschot  
Tel.: +31/499/571810  
Fax: +31/499/575795  
info@vsa-hegema.nl  
www.vsa-hegema.nl

**B** VSA Handel Bvba  
Fabriekstraat 145  
B-3900 Overpelt  
Tel.: +32/11/660720  
Fax: +32/11/660729  
info@vsahandel.be  
www.vsahandel.be

**L** A. R. Tech.  
19, Rue Eugène Ruppert, Cloche D'Or  
BP 1044  
L-1010 Luxembourg  
Tel.: +352/49/3333  
Fax: +352/40/2634  
com@artech.lu

**I** STEINEL Italia S.r.l.  
STEINEL Vertrieb GmbH  
Dieselstr. 80-84  
D-33442 Herzbrock-Clarholz  
Tel.: +49/5245/448351  
Fax: +49/5245/448197  
info@steinell.it

**E** SAET-94 S.L.  
C/ Trepadella, n° 10  
Pol. Ind. Castellbisbal Sud  
E-08755 Castellbisbal (Barcelona)  
Tel.: +34/93/7722849  
Fax: +34/93/7720180  
saet94@saet94.com

**P** Pronodis-Soluções Tecnológicas, Lda  
Rua do Caseiro n° 87 A/B  
Vilar  
P-3810-078 Aveiro  
Tel.: +351/234/484031  
Fax: +351/234/484033  
pronodis@pronodis.pt

**S** KARL H STRÖM AB  
Verktygsvägen 4  
S-553 02 Jönköping  
Tel.: +46/36/314240  
Fax: +46/36/314249  
www.khs.se

**DK** BROMMANN ApS  
Ellegaardvej 18  
DK-6400 Sønderborg  
Tel.: +45/74428862  
Fax: +45/74434360  
brommann@brommann.dk

**FIN** Oy Hedtec Ab  
Hedengren yhtiö - Lauttasaarentie 50  
FIN-00200 Helsinki  
Tel.: +358/9/682881  
Fax: +358/9/673813  
www.hedtec.fi/valaistus - lighting@hedtec.fi

**N** Vilan AS  
Tvetenveien 30 B  
N-0666 Oslo  
Tel.: +47/22725000  
Fax: +47/22725001  
post@vilan.no

**GR** PANOS Lingonis + Sons O. E.  
Aristofanous 8 Str.  
GR-10554 Athens  
Tel.: +30/210/3212021  
Fax: +30/210/3218630  
lygonis@otenet.gr

**TR** EGE SENSÖRLÜ AYDINLATMA İTH. İHR.  
TİC. VE PAZ. Ltd. STİ.  
Gersan Sanayi Sitesi 659  
Sokak No. 510  
TR-06370 Bati Sitesi (Ankara)  
Tel.: +90/312/2571233  
Fax: +90/312/2556041  
www.egedaydinlatma.com

ATERSAN İTH. TIC. ve SAN. KOLL. STİ.  
Add. Tersane Caddesi Galata Hirdavatci-  
lar Carsisi No: 45  
Karakoy / Istanbul  
Tel. +90/212/2920664 Pbx.  
Fax. +90/212/2920665  
info@atersan.com - www.atersan.com

**CZ** ELNAS s.r.o.  
Oblekovice 394  
CZ-67181 Znojmo  
Tel.: +420/515/220126  
Fax: +420/515/244347  
www.elnas.cz

**PL** LANGE ŁUKASZUK Sp.j.  
Byków 25a  
PL-55-095 Mirków  
Tel.: +48/71/3980861  
Fax: +48/71/3980819  
firma@langelukaszuk.pl

**H** DINOCOOP Kft  
Radvány u. 24  
H-1118 Budapest  
Tel.: +36/1/3193064  
Fax: +36/1/3193066  
dinocoop@dinocoop.hu

**LT** KVARCAS  
Neries krantine 32  
LT-48463, Kaunas  
Tel.: +370/37/408030  
Fax: +370/37/408031  
info@kvarcas.lt

**EST** FORTTRONIC AS  
Teguri 45c  
EST 50113 Tartu  
Tel.: +372/7/475208  
Fax: +372/7/367229  
info@forttronic.ee

**SLO** LOG Zabnica D.O.O.  
Podjetje Za Trgovino  
Srednje Bitnje 70  
SLO-4209 Zabnica  
Tel.: +386/42/312000  
Fax: +386/42/312331  
info@log.si

**SK** NECO s.r.o.  
Ruzová ul. 111  
SK-01901 Ilava  
Tel.: +421/42/4456710  
Fax: +421/42/4456711  
steinell@neco.sk

**RO** STEINEL Trading s.r.l.  
Str. Lunga 123  
RO-507055 Cristian-Brasov  
Tel.: +40/268/257400  
Fax: +40/268/257600  
www.steinell.ro

**HR** DALJINSKO UPRAVLJANJE d.o.o.  
B. Smetane 10  
HR-10000 Zagreb  
Tel.: +385/1/3886677  
Fax: +385/1/3880247  
daljinsko-upravljanje@zg.inet.hr

**LV** AMBERGS SIA  
Brivibas gatve 195-16  
LV-1039 Riga  
Tel.: +371/7/550740  
Fax: +371/7/552850  
www.ambergs.lv

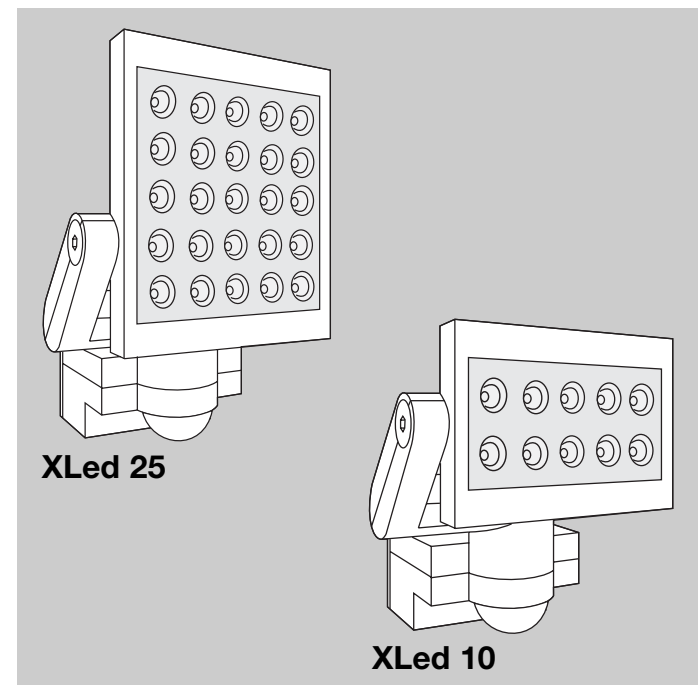
**RUS** IT und R GmbH  
Kuibyshev Str. 78  
RUS-620026 Ekaterinburg  
Tel.: +7/3432/242323  
Fax: +7/3432/616165  
itr@ural.ru

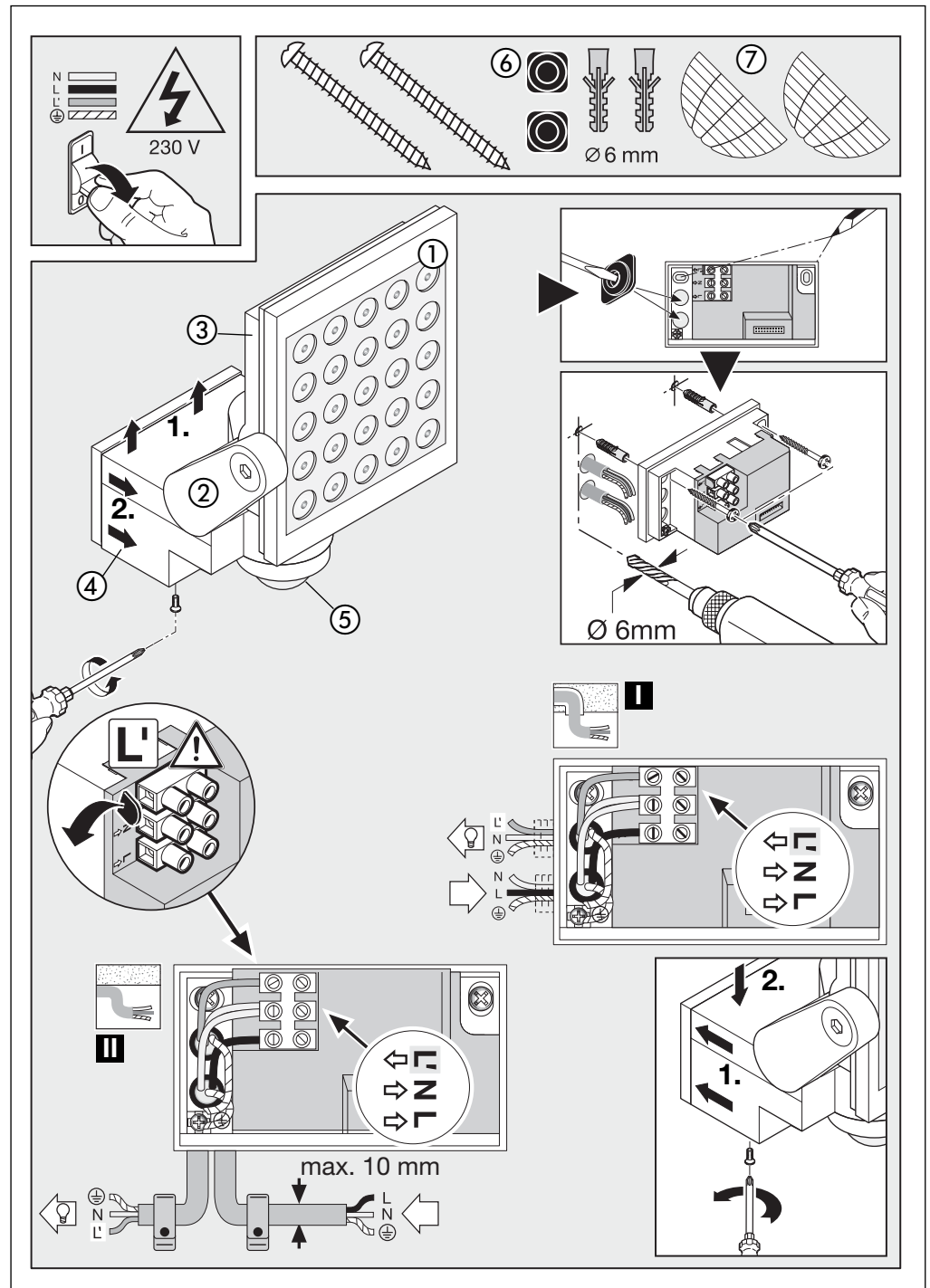
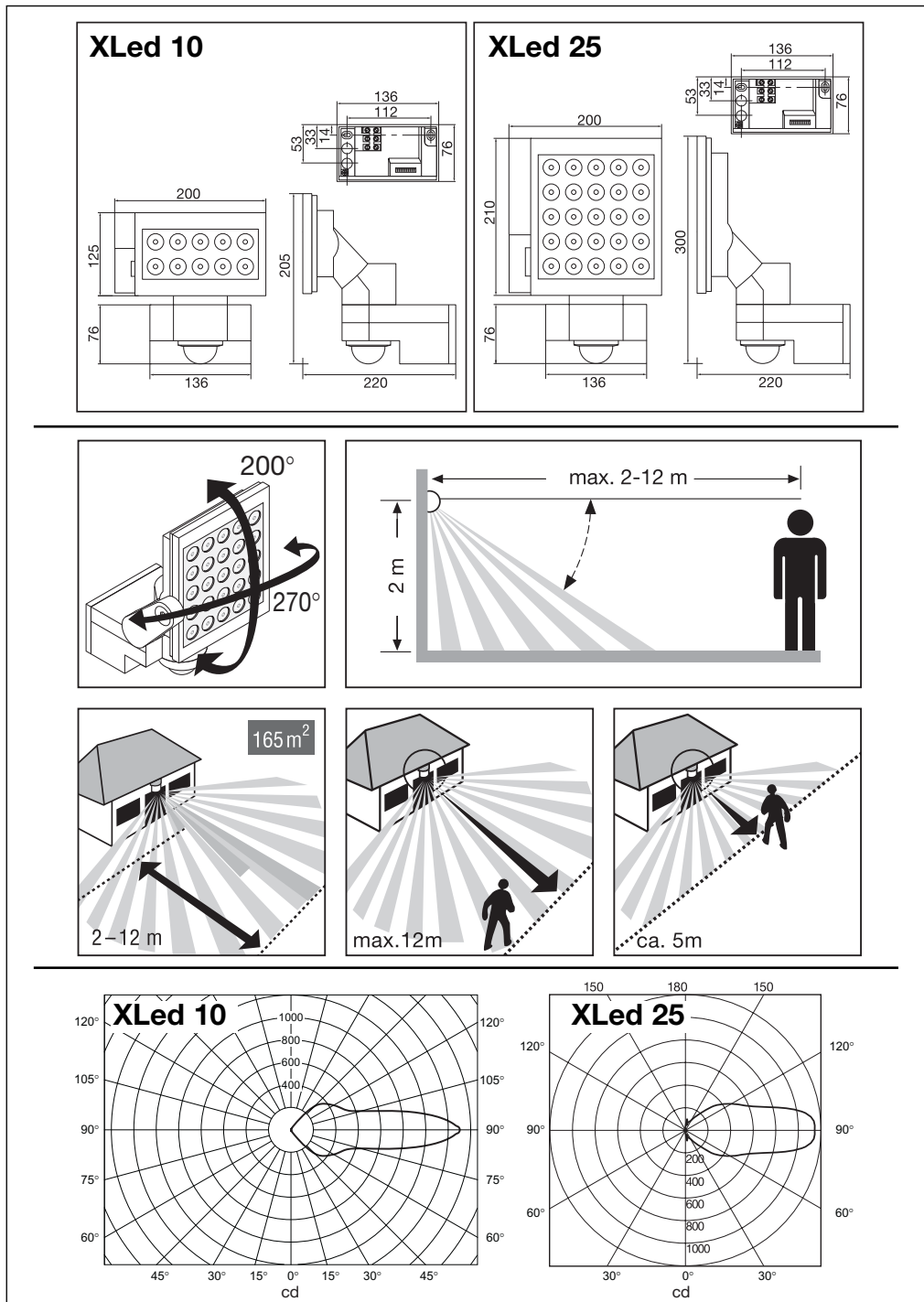
SVETILNIKI  
Str. Malaya Ordinka, 39  
RUS-113184 Moskau  
Tel.: +7/95/2372858  
Fax: +7/95/2371182  
goncharov@o-svet.ru

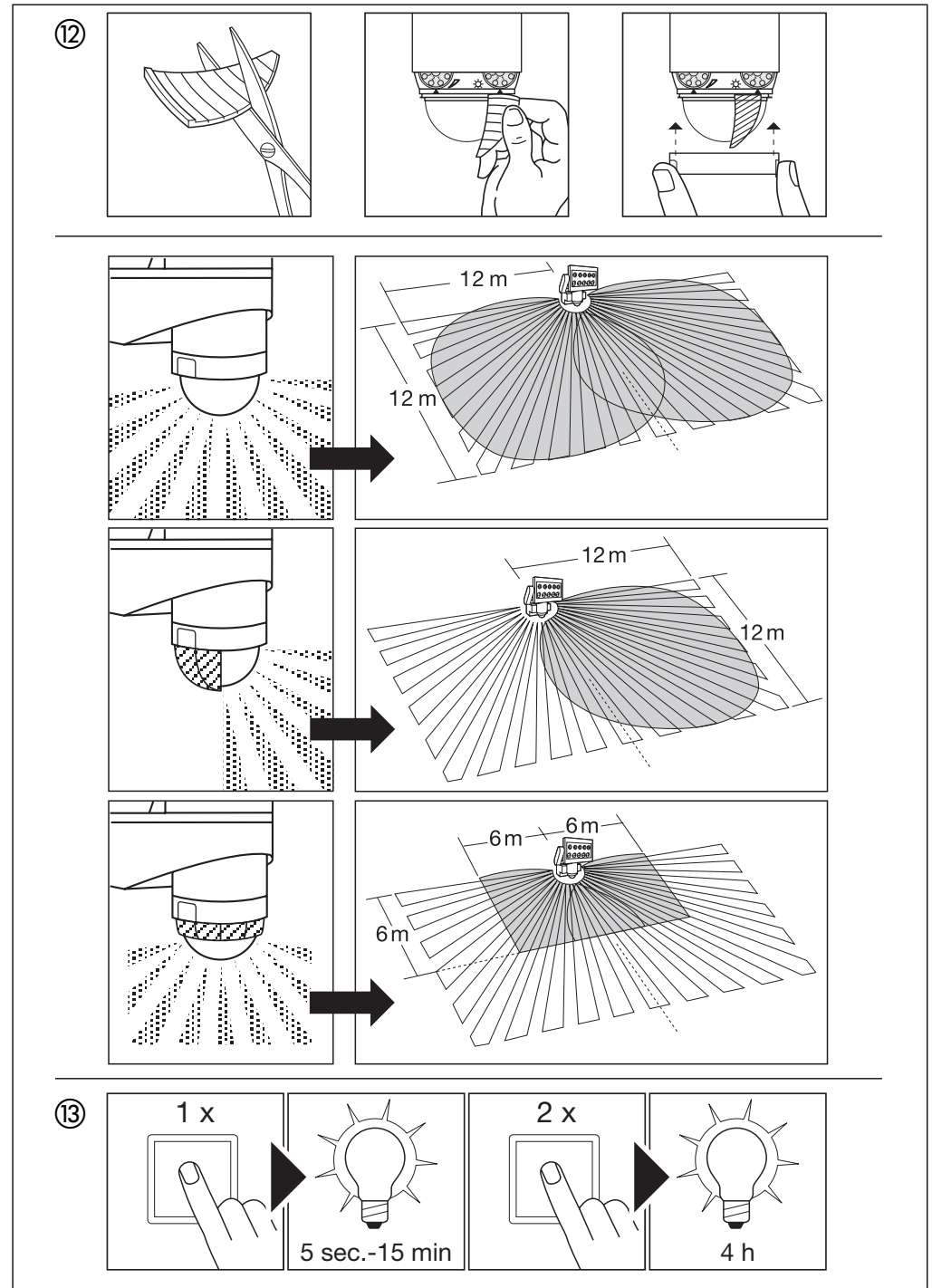
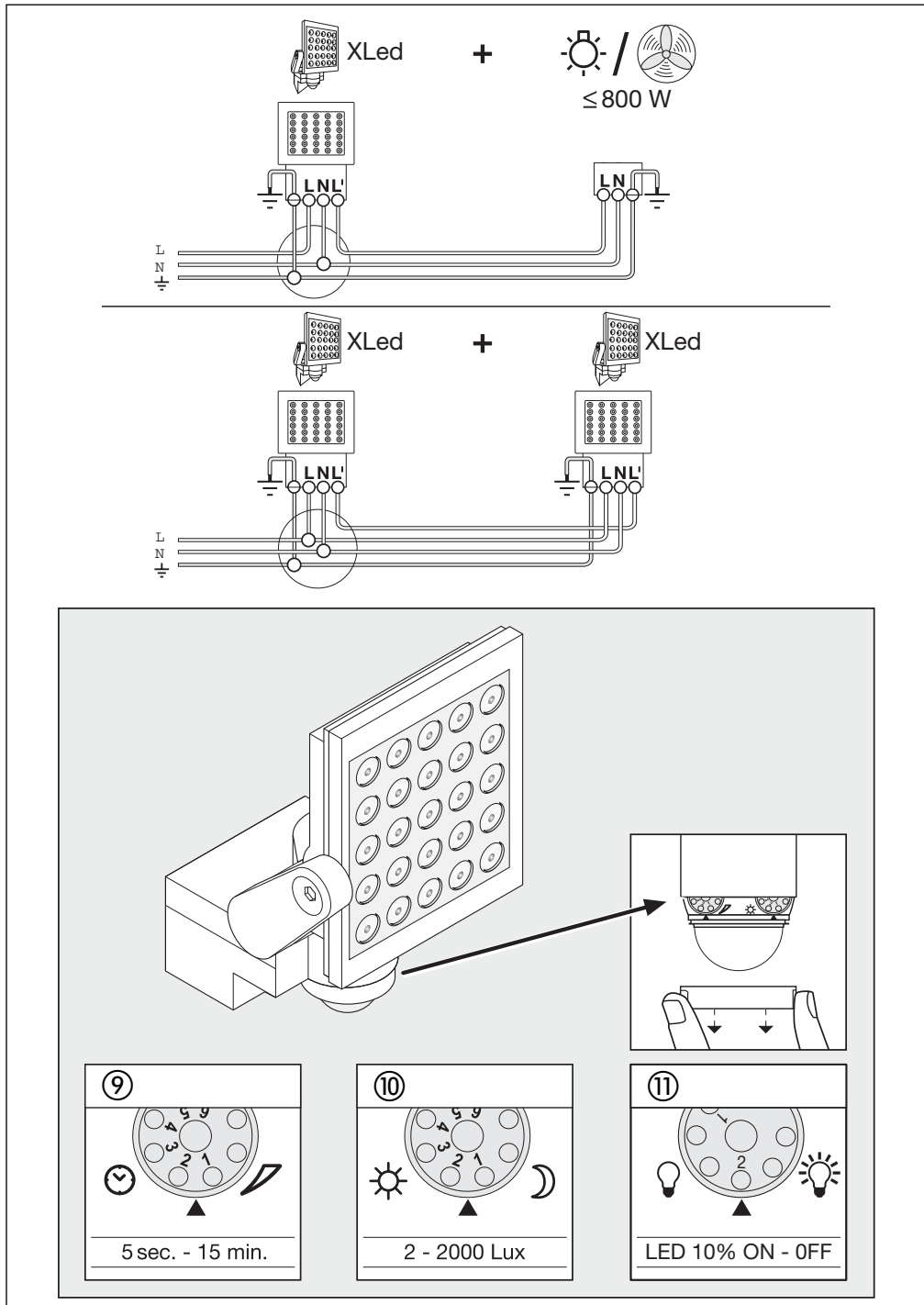
9859401 Technische Änderungen vorbehalten.

## XLED

i







## GB Installation instructions

Dear Customer,

Congratulations on purchasing your new STEINEL sensor-switched LED floodlight and thank you for the confidence you have shown in us. You have chosen a high-quality product that has been manufactured, tested and packed with the greatest care.

Please familiarise yourself with these instructions before attempting to install the light because prolonged, reliable and trouble-free operation will only be ensured if it is installed and used properly.

We hope your new STEINEL sensor-switched LED floodlight will bring you lasting pleasure.

### Principle ⑧

Movement triggers lights, alarms and many other devices - for your convenience and safety. Whether at home, to illuminate your property, or commercially, e.g. to light up business premises, this sensor-switched LED floodlight is quickly installed and ready for use.

Sensor-switched LED floodlights XLed 10 and XLed 25 are equipped with two 120° pyro sensors which detect the invisible heat emitted by moving objects (people, animals etc.). The heat detected in this way is converted electronically into a signal that switches

the floodlight on. Heat is not detected through obstacles, such as walls or panes of glass. The two pyro sensors achieve a coverage angle of 240° with an aperture angle of 180°.

**Important:** The most reliable way of detecting movement is to install the unit with the sensor aimed across the direction in which a person would walk and by ensuring that no obstacles (such as trees, walls etc.) obstruct the line of sensor vision.

### System components

- ① LED head in flat design
- ② Pivoted arm
- ③ Cooling fins
- ④ Wall mount with power supply unit
- ⑤ Sensor unit
- ⑥ Sealing plugs
- ⑦ Shrouds
- ⑧ Principle

- ⑨ Time setting
- ⑩ Twilight setting
- ⑪ Basic brightness setting
- ⑫ Reach setting/adjustment of detection angle
- ⑬ Manual override function
- I Mains connection, concealed wiring
- II Mains connection, surface wiring

### ! Safety warnings

- Disconnect the power supply before attempting any work on the unit.
- During installation, the electrical wiring you are connecting must be dead. Therefore, switch off the power first and use a voltage tester to check that the power supply is disconnected.
- Installing these lights involves work on the mains voltage supply; This work must therefore be carried out professionally in accordance with applicable national wiring regulations and electrical operating conditions (Ⓢ - VDE 0100, ⓐ - ÖVE/ÖNORM E 8001-1, Ⓜ - SEV 1000)
- Do not install the unit on normally flammable surfaces.
- Suitable for outdoor and indoor use.
- The sensor-switched LED floodlight is only intended for wall mounting and not for ceiling mounting.
- The floodlight housing gets warm while it is switched ON. Only adjust the angle of the LED head once it has cooled down.

## Installation ①-⑦

The site of installation should be at least 50 cm away from another light because heat radiated from it may activate the system. To obtain the specified max. reach of 12 m, the sensor should be installed at a height of approx. 2 m. Install the unit on a firm surface to avoid unintentional triggering.

The mains supply lead is a 3-core cable.

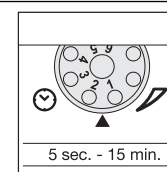
**L** = phase conductor (usually black or brown)  
**N** = neutral conductor (usually blue)  
**PE** = protective-earth conductor (green/yellow) ⊕

**Important:** Connecting the conductors to the wrong terminals will produce a short circuit in the unit or your fuse box at a later stage when you come to switch the power on. In this case, you must identify the individual cables and re-connect them. A suitable mains switch for switching the light "ON" and "OFF" can be installed in the mains lead.

### Functions

All functions can be set after removing the decorative ring.

**Switch-off delay (time setting) ⑨**  
 (factory setting: 5 sec.)

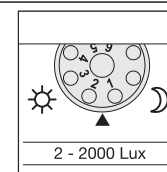


Light "ON" duration can infinitely varied from 5 sec. – 15 min.

Control dial set to **1** (turned fully anticlockwise) = shortest time (5 sec.)  
 Control dial set to **6** (turned fully clockwise) = longest (15 sec.)

To set the detection zone, it is recommended to select the shortest time **1**.

**Twilight setting (response threshold) ⑩**  
 (factory setting: daylight operation 2000 lux)

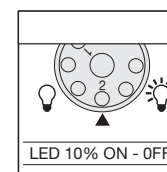


The sensor's response threshold can be infinitely varied from 2 – 2000 lux.

Control dial set to number **1** (turned fully anticlockwise) = daylight operation (approx. 2000 lux).  
 Control dial set to **6** (turned fully clockwise) = twilight operation (approx. 2 lux).

To adjust the detection zone in daylight, the control dial must be set to **1** daylight operation).

**Basic brightness ⑪**  
 (factory setting: programme 1)



**1** Floodlight "ON" in response to movement from twilight setting / no basic brightness.

**2** Floodlight "ON" in response to movement from twilight setting / + basic brightness (10%) for 10 min. after time set elapses.

### What is basic brightness?

Basic brightness provides illumination at approx. 10 % light output. The light only switches to maximum output of 100 % (for the time selected, see

Switch-off delay ⑨) in response to movement in the detection zone. The light then switches to basic brightness for 10 min. (approx. 10 %).

### Reach setting/adjustment ⑫

The detection zone can be optimised to suit requirements. The shrouds provided are used for blanking out any number lens segments or to shorten reach as required. This prevents the light from being activated unintentionally, e.g. by cars, passers-by etc., and allows you to target danger spots. The shrouds can be divided or cut with a pair of scissors along the

vertical and horizontal grooves. After removing the decorative ring, the shrouds can be clipped on at the top of the sensor lens. The decorative ring must now be pushed back on to hold the shrouds firmly in place.

You can turn the sensor housing through ± 80° ③ for precision adjustment.

## Permanent light function <sup>⑬</sup>

If a mains switch is installed in the mains supply lead, the light is capable of the following functions in addition to the simple "ON"/"OFF" function:

### Sensor operation

**1) Switch light "ON" (when floodlight is "OFF"):**  
Switch "OFF" and "ON" once.

LEDs stay "ON" for the period selected.

**2) Switch light "OFF" (when floodlight is "ON"):**  
Switch "OFF" and "ON" once.

Floodlight goes out or switches to sensor mode.

### Manual override

#### 1) Activate manual override:

Turn switch "OFF" and "ON" once. The floodlight is set to stay on for 4 hours (red LED lights up behind the lens). Then it returns automatically to sensor mode (red LED off).

#### 2) Deactivate manual override:

Switch "OFF" and "ON" once. Floodlight goes out or switches to sensor mode.

### Important:

The switch should be actuated in rapid succession (in the 0.5 – 1 sec. range).

## Operation and maintenance

The unit is not suitable for special burglary alarm systems since it lacks the tampering protection prescribed for this purpose. Weather can affect operation of the sensor-switched LED floodlight. Strong gusts of wind, snow, rain and hail may cause the light to

come on when it is not wanted because the sensor is unable to distinguish sudden changes in temperature from sources of heat.

The detector lens may be cleaned with a damp cloth if it gets dirty (do not use cleaning agents).

## Accessories

Ground spike, silver, 365 x 136 x 80 mm

Article no. 654917

## Technical specifications

Sensor-switched LED floodlight	XLed 10	XLed 25
Wattage:	10 LEDs, approx. 25 W	25 LEDs, approx. 60 W
Additional switching capacity:	– 800 W max. (resistive load, e.g. filament bulb) – 400 W max. (uncorrected, inductive, $\cos \varphi = 0.5$ , e.g. fluorescent lamps) – 400 W max. (electronic ballasts, capacitive, e.g. low-energy lamps, 4 each max.)	– 800 W max. (resistive load, e.g. filament bulb) – 400 W max. (uncorrected, inductive, $\cos \varphi = 0.5$ , e.g. fluorescent lamps) – 400 W max. (electronic ballasts, capacitive, e.g. low-energy lamps, 4 each max.)
Life of LEDs:	up to 50,000 hrs. (for 3 hrs./day approx. 45 years)	up to 50,000 hrs. (for 3 hrs./day approx. 45 years)
Angle of coverage:	240° with sneak-by guard	240° with sneak-by guard
Projected area	250 cm <sup>2</sup> + 103.36 cm <sup>2</sup>	420 cm <sup>2</sup> + 103.36 cm <sup>2</sup>
Swivelling range of sensor unit:	± 80°	± 80°
Swivelling range of housing:	200° vertically 270° horizontally	200° vertically 270° horizontally
Time setting:	5 sec. – 15 min.	5 sec. – 15 min.
Twilight setting:	2 – 2000 lux	2 – 2000 lux
Brightness control:	10% basic brightness (approx. 3 W)	10% basic brightness (approx. 3 W)
Permanent light 'ON':	4 hrs., selectable	4 hrs., selectable
Dimensions (h x w x d)	205 x 200 x 220 mm	300 x 200 x 220 mm
Enclosure:	IP 54	IP 54
Protection class:	I	I

## Troubleshooting

Malfunction	Cause	Remedy
Sensor-switched LED floodlight without power	<ul style="list-style-type: none"> <li>■ Fuse faulty, not switched "ON", break in wiring</li> <li>■ Short circuit</li> </ul>	<ul style="list-style-type: none"> <li>■ Fit new fuse; switch "ON" mains switch; Check wiring with voltage tester</li> <li>■ Check connections</li> </ul>
Sensor-switched LED floodlight will not switch "ON"	<ul style="list-style-type: none"> <li>■ Twilight control set to night-time mode during daytime operation</li> <li>■ Mains power switch "OFF"</li> <li>■ Fuse faulty</li> <li>■ Detection zone not properly targeted</li> </ul>	<ul style="list-style-type: none"> <li>■ Adjust setting</li> <li>■ Switch "ON"</li> <li>■ Fit new fuse, check connection if necessary</li> <li>■ Re-adjust</li> </ul>
Sensor-switched LED floodlight will not switch "OFF"	<ul style="list-style-type: none"> <li>■ Continuous movement in the detection zone</li> </ul>	<ul style="list-style-type: none"> <li>■ Check zone and readjust if necessary or apply shroud</li> </ul>
Sensor-switched LED floodlight keeps switching "ON" and "OFF"	<ul style="list-style-type: none"> <li>■ Animals moving in the detection zone</li> </ul>	<ul style="list-style-type: none"> <li>■ Tilt sensor higher or apply specific shrouds; adjust zone, or apply shrouds</li> </ul>
Sensor-switched LED floodlight switches "ON" when it should not	<ul style="list-style-type: none"> <li>■ Wind is moving trees and bushes in the detection zone</li> <li>■ Cars in the street are being detected</li> <li>■ Sudden temperature changes due to weather (wind, rain, snow) or air expelled from fans, open windows</li> <li>■ Sensor-switched LED floodlight is moving (swaying) due to gusts of wind or heavy rain.</li> </ul>	<ul style="list-style-type: none"> <li>■ Change detection zone</li> <li>■ Change detection zone</li> <li>■ Adjust detection zone or install in a different place</li> <li>■ Mount sensor-switched LED floodlight on a firm surface</li> </ul>

## CE Declaration of conformity

This product complies with Low Voltage Directive 06/95/EC, EMC Directive 04/108/EC as well as RoHS Directive 02/95/EC.

## Functional warranty

This STEINEL product has been manufactured with utmost care, tested for proper operation and safety and then subjected to random sample inspection. STEINEL guarantees that it is in perfect condition and proper working order.

The warranty period is 36 months and starts on the date of sale to the consumer. We will remedy defects caused by material flaws or manufacturing faults. The warranty will be met by repair or replacement of defective parts at our own discretion. The warranty shall not cover damage to wear parts, damage or defects caused by improper treatment or maintenance. Further consequential damage to other objects is excluded.

Claims under the warranty will only be accepted if the unit is sent fully assembled and well-packed with a brief description of the fault, a receipt or invoice (date of purchase and dealer's stamp) to the appropriate Service Centre.

### Repair service:

Our Customer Service Department will repair faults not covered by warranty or after the warranty period. Please send the product well packed to your nearest Service Centre.

**FUNCTIONAL**  
**36 month**  
**WARRANTY**