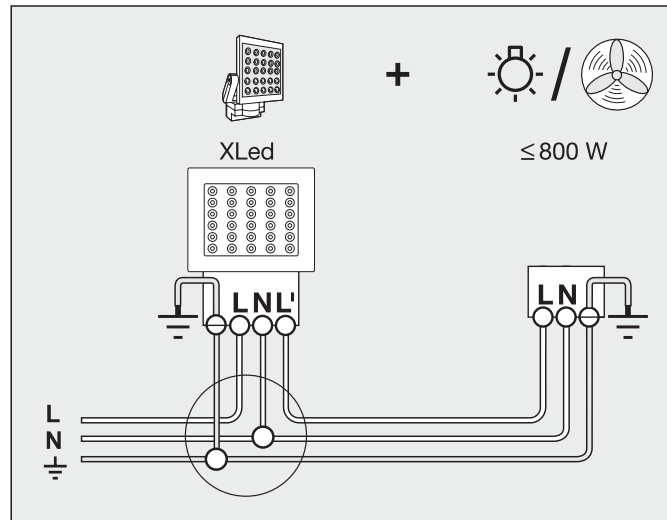
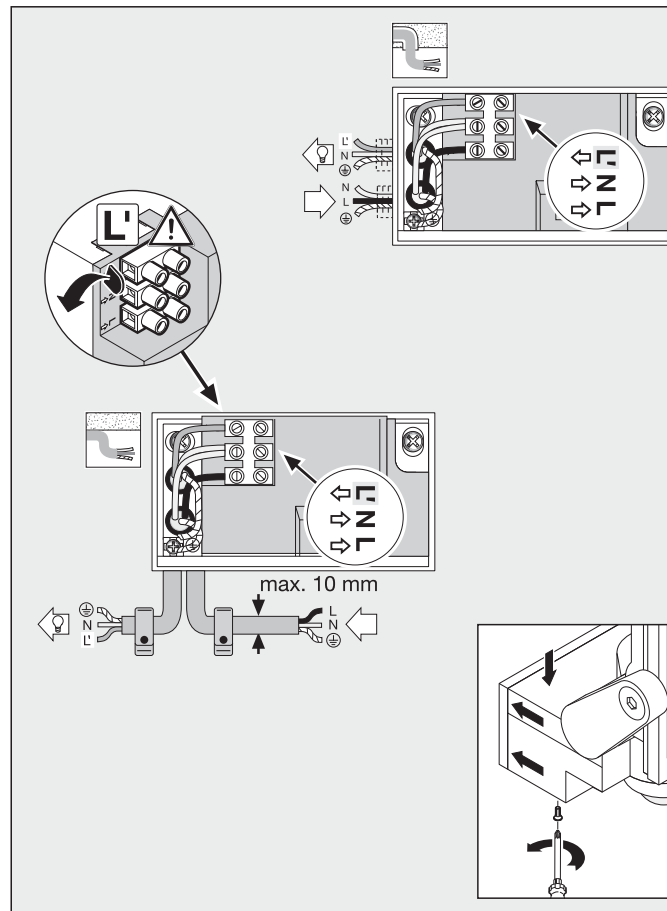
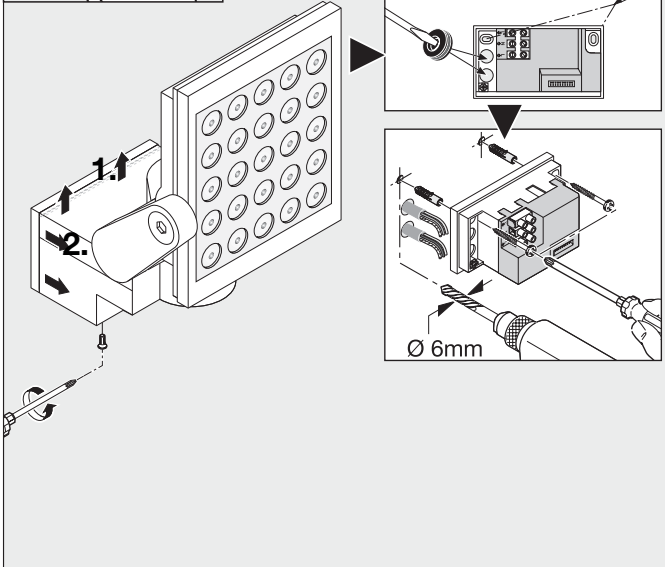
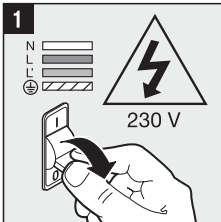


XLed-FE 10 XLed-FE 25

i

XLed 10 XLed 25	205 x 200 x 220 mm 300 x 200 x 220 mm
	230 – 240 V~
	868,3 MHz
XLed 10 	10 LEDs, ca. 25 W max. 800 W (L')
XLed 25 	25 LEDs, ca. 60 W max. 800 W (L')

	IP 54
	Ø 6 mm



Principle

The XLed-FE 10 and XLed-FE 25 LED floodlights with wireless receiver can receive wireless signals from as many as eight STEINEL transmitters with different addresses for switching the light "ON". The wireless receiver only responds to transmitters that have first been assigned to it. For further information on setting transmitters and receivers, please refer to the instructions of the IMPULSER system.

Safety warnings

- Disconnect the power supply before attempting any work on the unit!
- During installation, the electrical wiring you are connecting must be dead. Therefore, switch "OFF" the power first and use a voltage tester to check that the power supply is disconnected.
- Installing these lights involves work on the mains voltage supply; this work must therefore be carried out professionally in accordance with national wiring regulations and electrical operating conditions (Ⓢ- VDE 0100, Ⓢ-ÖVE/ÖNORM E 8001-1, Ⓢ-SEV 1000)
- Do not install the unit on normally flammable surfaces.
- Suitable for outdoor and indoor use.
- LED floodlights are only intended for wall mounting and not for ceiling mounting.
- The floodlight housing heats up while it is switched "ON". Only adjust the angle of the LED head once it has cooled down.
- Only use genuine replacement parts.
- Do not dismantle the unit yourself. It must only be repaired by a specialist workshop.

Installation advice

The mains supply lead is a 3-core cable.
L = phase conductor (usually black or brown)
N = neutral conductor (usually blue)
PE = protective-earth conductor (green/yellow)

Projected floodlight area:
XLed FE 10: 250 cm² + 103.36 cm²
XLed FE 25: 420 cm² + 103.36 cm²

Important: Getting the cable connections crossed will produce a short circuit in the unit or in your fuse box. In this case, you must identify the individual cables and re-connect them. A mains switch for switching the light "ON" and "OFF" can be installed in the mains lead.

Concealed wiring / surface wiring

Underneath the mounting plate you will find two lugs for surface wiring. Break off one of the two lugs. Use the sealing plug to close off the cable opening in the mounting plate. Pierce the sealing plug and feed the cable through. Once the cable has been pushed through, you can screw the mounting plate to the mounting surface and complete the connection.

Troubleshooting (Cause → Remedy)

No voltage / Fuse faulty, not switched on, break in wiring → New fuse, turn on mains power switch, check wiring with voltage tester. **Short circuit →** Check connections.

Declaration of Conformity

This product complies with Low Voltage Directive 06/95/EC, EMC Directive 04/108/EC and RoHS Directive 02/95/EC.

Functional Warranty

This STEINEL product has been manufactured with utmost care, tested for proper operation and safety and then subjected to random sample inspection. STEINEL guarantees that it is in perfect condition and proper working order. The warranty period is 36 months and starts on the date of sale to the consumer. We will remedy defects caused by material flaws or manufacturing faults. The warranty will be met by repair or replacement at our own discretion. The warranty does not cover damage to wear parts, nor does it cover damage or defects caused by improper treatment, maintenance or the use of non-genuine parts. Further consequential damage to other objects is excluded. Claims under the warranty will only be accepted if the unit is sent fully assembled and well-packed with a brief description of the fault, a receipt or invoice (date of purchase and dealer's stamp) to the appropriate Service Centre.

Service:

Our Customer Service Department will repair faults not covered by warranty or after the warranty period. Please send the product well packed to your nearest Service Centre.

FUNCTIONAL
36 month
WARRANTY