

Sensor-switched LED floodlight

XLED home 2 S

V2 black

EAN 4007841 033071

Article number 033071



LED

30 years (Ø 4,5h / day)

3000 K

3000K warm-white



infrared sensor 180°



max. 10 m



IP44



Panel 180° hor., 180° ver.



Sensor 90° ver., 180° hor.



2 - 2000 lux



8 sec - 35 min



networkable via cable

Function description

Top seller. Now even better. XLED home 2 sensor-switched outdoor floodlight for even more safety and security. Fully swivelling LED panel in classy stainless-steel look. For the most exacting of demands on design and maximum lighting convenience. 1550 lm at a power consumption of only 13,7 W. Swivelling precision IR sensor (horizontally: 180°, vertically: 90°). 180° angle of coverage, 10 m reach, 3000 K. High thermal conductivity magnesium composite cooling system (HCMC).

XLED home 2 S

V2 black

EAN 4007841 033071

Article number 033071

Technical specifications

Dimensions (L x W x H)	161 x 180 x 218 mm
With lamp	Yes, STEINEL LED system
With motion detector	Yes
Manufacturer's Warranty	5 years
Settings via	Potentiometers
Version	black
PU1, EAN	4007841033071
Application, place	Outdoors
Application, room	outdoors, all round the building, terrace / balcony, courtyard & driveway
Colour	black
Includes corner wall mount	No
Installation site	wall, corner
Installation	Surface wiring, corner, Wall
Impact resistance	IK03
IP-rating	IP44
Protection class	II
Ambient temperature	-20 – 40 °C
Housing material	HCMC
Cover material	Plastic, opal
Mains power supply	220 – 240 V / 50 – 60 Hz
Output	5 - 25 W
Fluorescent lamps, electronic ballast	430 W
Fluorescent lamps, uncorrected	500 VA
Fluorescent lamps, series-corrected	900 VA
Fluorescent lamps, parallel-corrected	500 VA
Switching output 1, low-voltage halogen lamps	1000 VA
LED lamps	16 W
LED lamps > 2 W	64 W
LED lamps > 8 W	64 W
Capacitive load in µF	88 µF
Power consumption	0,5 W

Mounting height max.	4,00 m
Angle of aperture	35 °
Sneak-by guard	Yes
Capability of masking out individual segments	Yes
Electronic scalability	No
Mechanical scalability	No
Reach, radial	r = 5 m (39 m ²)
Reach, tangential	r = 10 m (157 m ²)
Photo-cell controller	Yes
Cover material	sticker
Luminous flux total product	1550 lm
Measured luminous flux (360°)	1550 lm
Total product efficiency	113 lm/W
Colour temperature	3000 K
Colour variation LED	SDCM3
Colour Rendering Index	80-89
Lamp	LED cannot be replaced
LED life expectancy (max. °C)	50000 h
Service life LED L70B50 (25°)	> 60000 h
Drop in luminous flux in accordance with LM80	L70B10
LED cooling system	HCMC (High Conductive Magnesium Composite)
Soft light start	No
Twilight setting	2 – 2000 lx
Time setting	8 s – 35 Min.
Basic light level function	No
Main light adjustable	No
Twilight setting TEACH	No
Interconnection	Yes
Type of interconnection	Sensor/slave
Interconnection via	Cable
Interconnection, number	maximum of 10 floodlights

Accessories

EAN 4007841 055875	Corner wall mount XLED home 2/ PRO 240
EAN 4007841 053086	Corner wall mount XLED Home 2/ Pro 240
EAN 4007841 055615	Corner wall mount XLED home 2/ PRO 240

Sensor-switched LED floodlight

XLED home 2 S

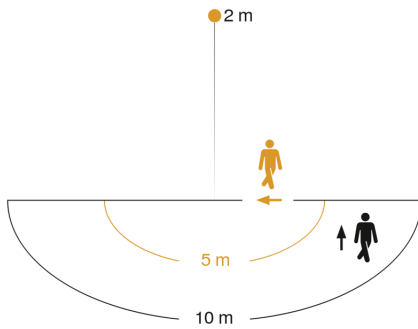
V2 black

EAN 4007841 033071

Article number 033071



Detection Zone

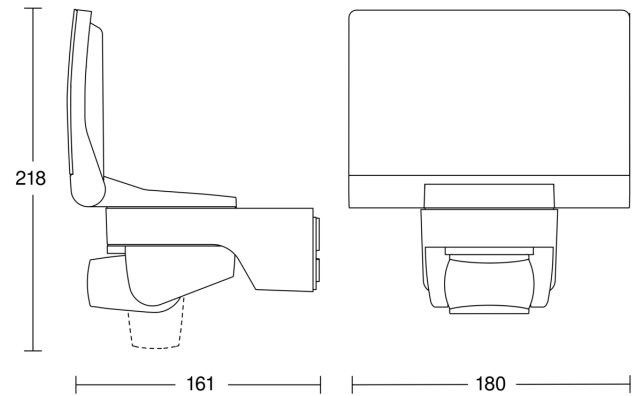


Mögliche Montagehöhe: 1,80 m – 4,00 m

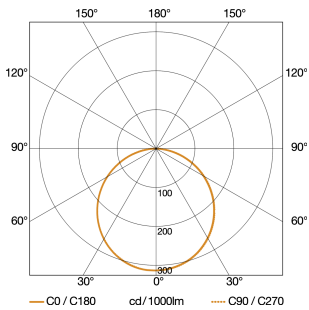
Orange: radial

Schwarz: tangential

Dimension Drawing

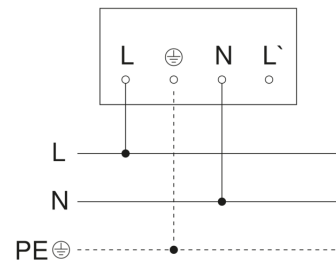


Light Distribution Curve



Output	13,7 W
With lamp	Yes, STEINEL LED system
Lamp	LED cannot be replaced
Measured luminous flux (360°)	1550 lm
Colour temperature	3000 K
Colour Rendering Index	80-89
LED life expectancy (max. °C)	50000 h
LED cooling system	HCMC (High Conductive Magnesium Composite)

Master circuit diagram



Sensor-switched LED floodlight

XLED home 2 S

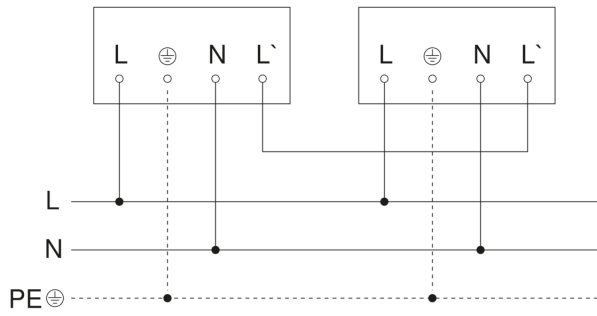
V2 black

EAN 4007841 033071

Article number 033071



Master/master interconnection circuit diagram



Master/slave interconnection circuit diagram

