

Sensor-switched LED floodlight

# XLED home 2 XL S

V2 black

EAN 4007841 030049

Article number 030049



LED

30 years (Ø 4,5h / day)

3000 K

3000K warm-white



infrared sensor 180°



max. 10 m



IP44



Panel 180° hor., 180° ver.



Sensor 90° ver., 180° hor.



2 - 2000 lux



8 sec - 35 min



networkable via cable

## Function description

Day-bright light in XL size. Powerful XLED home 2 XL S sensor-switched outdoor floodlight with 10 m sensor reach. Ideal for illuminating larger areas such as driveways, courtyards and gardens. Swivelling precision IR sensor covering 180°. Fully swivelling LED panel (180°, horizontally and vertically). Superior opal cover for optimum lighting. 2124 lm, 19,3 W, 180° angle of coverage, high thermal conductivity magnesium composite cooling system (HCMC).

# XLED home 2 XL S

V2 black

EAN 4007841 030049

Article number 030049



## Technical specifications

Dimensions (L x W x H)	161 x 180 x 240 mm
With lamp	Yes, STEINEL LED system
With motion detector	Yes
Manufacturer's Warranty	5 years
Settings via	Potentiometers
Version	black
PU1, EAN	4007841030049
Application, place	Outdoors
Application, room	outdoors, all round the building, terrace / balcony, courtyard & driveway
Installation site	wall, corner
Installation	Wall, corner, Surface wiring
Impact resistance	IK03
IP-rating	IP44
Protection class	II
Ambient temperature	-20 – 40 °C
Housing material	Plastic
Cover material	Plastic, opal
Mains power supply	220 – 240 V / 50 – 60 Hz
Output	5 - 25 W
Fluorescent lamps, electronic ballast	430 W
Fluorescent lamps, uncorrected	500 VA
Fluorescent lamps, series-corrected	900 VA
Fluorescent lamps, parallel-corrected	500 VA
LED lamps	16 W
LED lamps > 2 W	64 W
LED lamps > 8 W	64 W

Capacitive load in $\mu$ F	88 $\mu$ F
Mounting height max.	4,00 m
Sneak-by guard	Yes
Capability of masking out individual segments	Yes
Electronic scalability	No
Mechanical scalability	No
Reach, radial	r = 5 m (39 m <sup>2</sup> )
Reach, tangential	r = 10 m (157 m <sup>2</sup> )
Photo-cell controller	Yes
Cover material	sticker
Luminous flux total product	2124 lm
Measured luminous flux (360°)	2124 lm
Total product efficiency	110 lm/W
Colour temperature	3000 K
Colour variation LED	SDCM3
Colour Rendering Index	80-89
Lamp	LED cannot be replaced
LED life expectancy (max. °C)	50000 h
Service life LED L70B50 (25°)	> 60000 h
Drop in luminous flux in accordance with LM80	L70B10
LED cooling system	HCMC (High Conductive Magnesium Composite)
Twilight setting	2 – 2000 lx
Time setting	8 s – 35 Min.
Basic light level function	No
Twilight setting TEACH	No

Sensor-switched LED floodlight

# XLED home 2 XL S

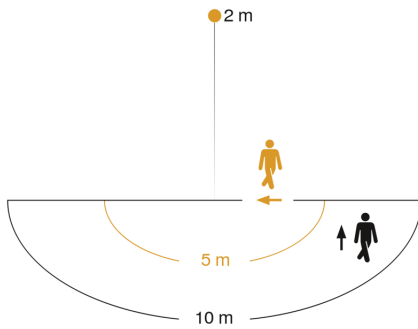
V2 black

EAN 4007841 030049

Article number 030049



## Detection Zone

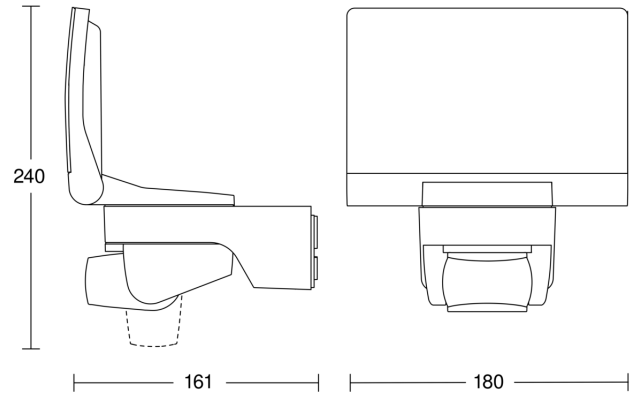


Mögliche Montagehöhe: 1,80 m – 4,00 m

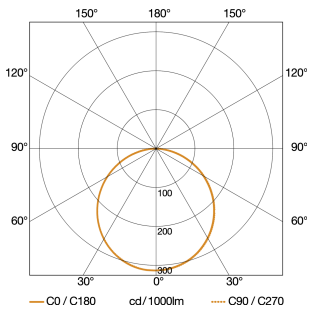
Orange: radial

Schwarz: tangential

## Dimension Drawing

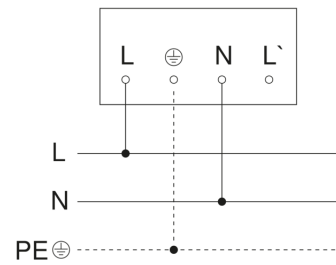


## Light Distribution Curve



Output	19,3 W
With lamp	Yes, STEINEL LED system
Lamp	LED cannot be replaced
Measured luminous flux (360°)	2124 lm
Colour temperature	3000 K
Colour Rendering Index	80-89
LED life expectancy (max. °C)	50000 h
LED cooling system	HCMC (High Conductive Magnesium Composite)

## Master circuit diagram



Sensor-switched LED floodlight

# XLED home 2 XL S

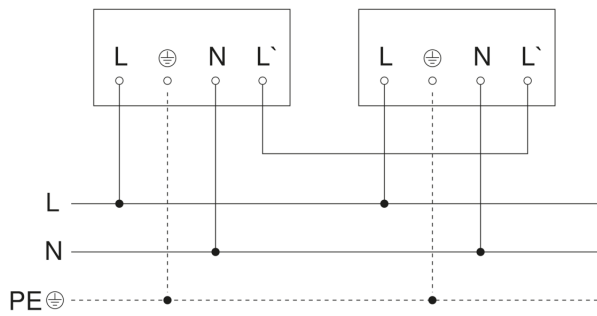
V2 black

EAN 4007841 030049

Article number 030049



Master/master interconnection circuit diagram



Master/slave interconnection circuit diagram

